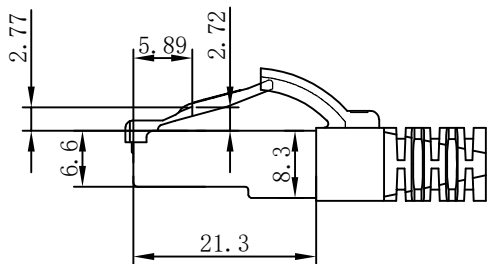
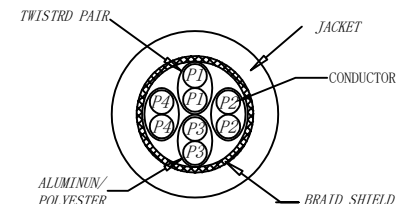
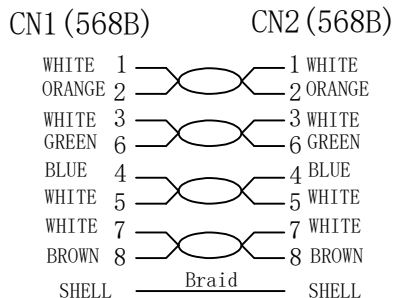




CAT.6 S/FTP LSZH 250MHz ISO/IEC 11801 & EN50173-1 & ANSI/TIA-568-C.2 www.Synergy21.de **CE**

**PIN OUT**



**MATERIAL LIST**

⑥	LABEL	NO DRY GLUE LABEL	1	
⑤	MINI TIE	PE MINI TIE (POSSESS METAL) COLOUR SEE THE CHART	2	
④	POLYETHYLENE BAG	SYNERGY 21 SLIP PE BAG	1	
③	CABLE	CAT.6 S/FTP 27AWG(BC*1P+AL-FOIL)*4+Braid (AL-MG) JACKET:LSZH OD:5.8±0.2mm COLOUR SEE THE CHART	1	
②	Over mold	80A PVC, COLOR:SEE THE CHART	2	
①	Plug	RJ45 8P8C'S SHIELED , THE SHELL PLATED NICKEL , PIN GOLD PLATED 3u" RED/TRANSPARENT	2	
NO.	PARTS NAME	SPECIFICATION STANDARD	QT' Y	REMARK

**NOTE:**

- ELECTRICAL TEST:
  - 100% OPEN SHORT, MISS WIRE TEST
  - INSULATION RESISTANCE:DC 300V 10M Ohm;
  - CONTACTOR RESISTANCE:1 OHM per meter
- FLUKE TEST LIMIT:ISO11801 Channel Class E
- Operating temperature:-20°C~+75°C
- ROHS 3.0 AND REACH compliant
- Support PoE/PoE+/PoE++
- Packing:Synergy21 PE Bag+Label
- Minimum of the bending radius is 60mm
- Flame retardant (IEC60332-1-2)  
Low smoke(IEC 61034)  
Halogen free(IEC 60754-2)

Hasia		change "ROSH 2.0" to "ROSH 3.0"	2022-02-25	A7	<b>SYNERGY 21</b>					
		Add IEC60332-1-2	2021-01-23	A6						
		Increase the minimum bend radius	2018-11-30	A5						
		Change Moulding	2018-05-29	A4						
		CHANGE PACKING AND BOX MARK	2018-03-12	A3	CUSTOMER NO.		ITEM NO.	SEE THE CHART		
		ADD POE Information	2017-02-06	A2	PRODUCT NAME	CAT. 6 S/FTP PATCH CORD LSZH	manufacture country:	CHINA	UNIT	MM
BY	CHK	REVISION RECORD MODIFICATIONS	DATE	REV.	DRAWNBY	CHECKBY	APPOBY	DATE		
					SYNERGY 21	SYNERGY 21	SYNERGY 21	2015-01-20		

COLOR:WHITE			COLOR:GREY PANTONE 421C			COLOR:RED PANTONE 199C			COLOR:ORANGE PANTONE 1575C		
ITEM	LENGTH/mm	PACKING	ITEM	LENGTH/mm	PACKING	ITEM	LENGTH/mm	PACKING	ITEM	LENGTH/mm	PACKING
S215908	150±10	SYNERGY 21 A Bag	S215902	150±10	SYNERGY 21 A Bag	S215906	150±10	SYNERGY 21 A Bag	S215905	150±10	SYNERGY 21 A Bag
S216135	250±10	SYNERGY 21 A Bag	S216004	250±10	SYNERGY 21 A Bag	S216007	250±10	SYNERGY 21 A Bag	S216006	250±10	SYNERGY 21 A Bag
S216017	500±15	SYNERGY 21 A Bag	S216012	500±15	SYNERGY 21 A Bag	S216016	500±15	SYNERGY 21 A Bag	S216015	500±15	SYNERGY 21 A Bag
S216027	1000±30	SYNERGY 21 A Bag	S216022	1000±30	SYNERGY 21 A Bag	S216026	1000±30	SYNERGY 21 A Bag	S216025	1000±30	SYNERGY 21 A Bag
S216036	1500±30	SYNERGY 21 A Bag	S216031	1500±30	SYNERGY 21 A Bag	S216035	1500±30	SYNERGY 21 A Bag	S216034	1500±30	SYNERGY 21 A Bag
S216046	2000±30	SYNERGY 21 A Bag	S216041	2000±30	SYNERGY 21 A Bag	S216045	2000±30	SYNERGY 21 A Bag	S216044	2000±30	SYNERGY 21 A Bag
S216056	3000±50	SYNERGY 21 A Bag	S216051	3000±50	SYNERGY 21 A Bag	S216055	3000±50	SYNERGY 21 A Bag	S216054	3000±50	SYNERGY 21 A Bag
S216066	5000±200	SYNERGY 21 B Bag	S216061	5000±200	SYNERGY 21 B Bag	S216065	5000±200	SYNERGY 21 B Bag	S216064	5000±200	SYNERGY 21 B Bag
S216075	7500±200	SYNERGY 21 B Bag	S216070	7500±200	SYNERGY 21 B Bag	S216074	7500±200	SYNERGY 21 B Bag	S216073	7500±200	SYNERGY 21 B Bag
S216084	10000±200	SYNERGY 21 B Bag	S216079	10000±200	SYNERGY 21 B Bag	S216083	10000±200	SYNERGY 21 B Bag	S216082	10000±200	SYNERGY 21 B Bag
S216093	15000±300	SYNERGY 21 C Bag	S216088	15000±300	SYNERGY 21 C Bag	S216092	15000±300	SYNERGY 21 C Bag	S216091	15000±300	SYNERGY 21 C Bag
S216102	20000±300	SYNERGY 21 C Bag	S216097	20000±300	SYNERGY 21 C Bag	S216101	20000±300	SYNERGY 21 C Bag	S216100	20000±300	SYNERGY 21 C Bag
S216111	25000±300	SYNERGY 21 C Bag	S216106	25000±300	SYNERGY 21 C Bag	S216110	25000±300	SYNERGY 21 C Bag	S216109	25000±300	SYNERGY 21 C Bag
S216120	30000±300	SYNERGY 21 D Bag	S216115	30000±300	SYNERGY 21 D Bag	S216119	30000±300	SYNERGY 21 D Bag	S216118	30000±300	SYNERGY 21 D Bag
			S216133	40000±500	SYNERGY 21 D Bag						
			S216134	50000±500	SYNERGY 21 D Bag						

						SYNERGY 21						
						CUSTOMER NO.			ITEM NO.	SEE THE CHART		
						PRODUCT NAME	CAT. 6 S/FTP PATCH CORD		manufacture country:	CHINA	UNIT	MM
						DRAWNBY		CHECKBY		APPOBY		DATE
BY	CHK	REVISION RECORD MODIFICATIONS			DATE	REV.	SYNERGY 21	SYNERGY 21	SYNERGY 21	2015-01-20		

COLOR:MAGENTA PANTONE 212C		
ITEM	LENGTH/mm	PACKING
	250±10	SYNERGY 21 A Bag
S216014	500±15	SYNERGY 21 A Bag
S216024	1000±30	SYNERGY 21 A Bag
S216033	1500±30	SYNERGY 21 A Bag
S216043	2000±30	SYNERGY 21 A Bag
S216053	3000±50	SYNERGY 21 A Bag
S216063	5000±200	SYNERGY 21 B Bag
S216072	7500±200	SYNERGY 21 B Bag
S216081	10000±200	SYNERGY 21 B Bag
S216090	15000±300	SYNERGY 21 C Bag
S216099	20000±300	SYNERGY 21 C Bag
S216108	25000±300	SYNERGY 21 C Bag
S216117	30000±300	SYNERGY 21 D Bag

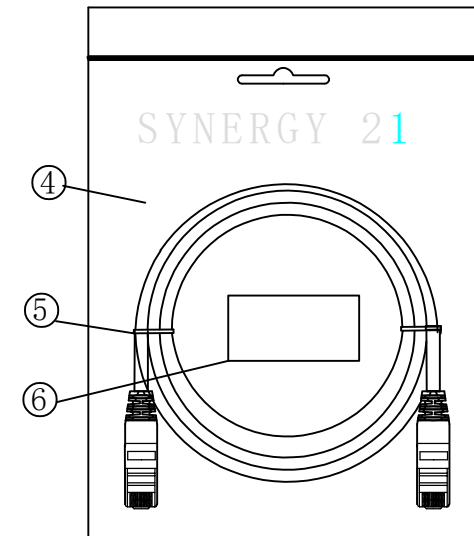
COLOR:GREEN PANTONE 3278C		
ITEM	LENGTH/mm	PACKING
S215903	150±10	SYNERGY 21 A Bag
S216005	250±10	SYNERGY 21 A Bag
S216013	500±15	SYNERGY 21 A Bag
S216023	1000±30	SYNERGY 21 A Bag
S216032	1500±30	SYNERGY 21 A Bag
S216042	2000±30	SYNERGY 21 A Bag
S216052	3000±50	SYNERGY 21 A Bag
S216062	5000±200	SYNERGY 21 B Bag
S216071	7500±200	SYNERGY 21 B Bag
S216080	10000±200	SYNERGY 21 B Bag
S216089	15000±300	SYNERGY 21 C Bag
S216098	20000±300	SYNERGY 21 C Bag
S216107	25000±300	SYNERGY 21 C Bag
S216116	30000±300	SYNERGY 21 D Bag

COLOR:YELLOW PANTONE 135C		
ITEM	LENGTH/mm	PACKING
S215901	150±10	SYNERGY 21 A Bag
S216003	250±10	SYNERGY 21 A Bag
S216011	500±15	SYNERGY 21 A Bag
S216020	1000±30	SYNERGY 21 A Bag
S216030	1500±30	SYNERGY 21 A Bag
S216039	2000±30	SYNERGY 21 A Bag
S216049	3000±50	SYNERGY 21 A Bag
S216059	5000±200	SYNERGY 21 B Bag
S216069	7500±200	SYNERGY 21 B Bag
S216078	10000±200	SYNERGY 21 B Bag
S216087	15000±300	SYNERGY 21 C Bag
S216096	20000±300	SYNERGY 21 C Bag
S216105	25000±300	SYNERGY 21 C Bag
S216114	30000±300	SYNERGY 21 D Bag

						SYNERGY 21						
						CUSTOMER NO.		ITEM NO.	SEE THE CHART			
						PRODUCT NAME	CAT. 6 S/FTP PATCH CORD	manufacture country:	CHINA	UNIT	MM	
						NEW	2015-01-20	A	DRAWNBY	CHECKBY	APPOBY	DATE
BY	CHK	REVISION RECORD MODIFICATIONS			DATE	REV.	SYNERGY 21	SYNERGY 21	SYNERGY 21	2015-01-20		

COLOR:BLUE PANTONE 647C		
ITEM	LENGTH/mm	PACKING
S215900	150±10	SYNERGY 21 A Bag
S216002	250±10	SYNERGY 21 A Bag
S216009	500±15	SYNERGY 21 A Bag
S216019	1000±30	SYNERGY 21 A Bag
S216029	1500±30	SYNERGY 21 A Bag
S216038	2000±30	SYNERGY 21 A Bag
S216048	3000±50	SYNERGY 21 A Bag
S216058	5000±200	SYNERGY 21 B Bag
S216068	7500±200	SYNERGY 21 B Bag
S216077	10000±200	SYNERGY 21 B Bag
S216086	15000±300	SYNERGY 21 C Bag
S216095	20000±300	SYNERGY 21 C Bag
S216104	25000±300	SYNERGY 21 C Bag
S216113	30000±300	SYNERGY 21 D Bag

COLOR:BLACK PANTONE BLACK 3C		
ITEM	LENGTH/mm	PACKING
S215907	150±10	SYNERGY 21 A Bag
S216001	250±10	SYNERGY 21 A Bag
S216008	500±15	SYNERGY 21 A Bag
S216018	1000±30	SYNERGY 21 A Bag
S216028	1500±30	SYNERGY 21 A Bag
S216037	2000±30	SYNERGY 21 A Bag
S216047	3000±50	SYNERGY 21 A Bag
S216057	5000±200	SYNERGY 21 B Bag
S216067	7500±200	SYNERGY 21 B Bag
S216076	10000±200	SYNERGY 21 B Bag
S216085	15000±300	SYNERGY 21 C Bag
S216094	20000±300	SYNERGY 21 C Bag
S216103	25000±300	SYNERGY 21 C Bag
S216112	30000±300	SYNERGY 21 D Bag



					SYNERGY 21			
					CUSTOMER NO.		ITEM NO.	SEE THE CHART
					PRODUCT NAME	CAT. 6 S/FTP PATCH CORD	manufacture country:	CHINA UNIT MM
			NEW	2015-01-20	A	DRAWNBY	CHECKBY	APPOBY DATE
BY	CHK		REVISION RECORD MODIFICATIONS	DATE	REV.	SYNERGY 21	SYNERGY 21	SYNERGY 21 2015-01-20