

Quick Installation Guide



ALL-PR20130-30W Outdoor PoE Repeater

Package Contents

Check the following contents of your package:

- PoE Extender x 1
- User Guide x 1
- Accessories (water joint)

If any part is lost and damaged, please contact your local agent immediately.

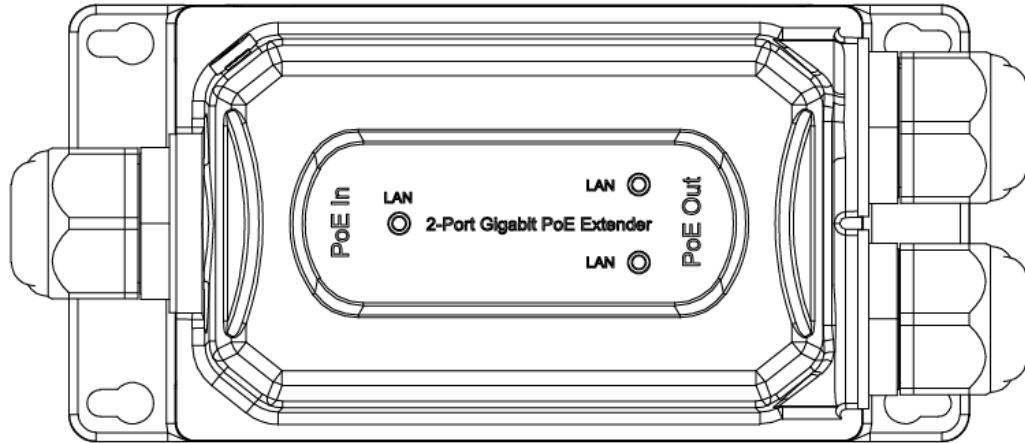
Introduction

This Product is a Gigabit IP67 waterproof PoE extender. It supports one RJ45 (PD) port in and 95W input(IEEE802.3bt). Two ports have PSE function, each supporting up to 30W output, without configuration, plug and play. Professional room shell design, adapted to various harsh environments, with high stability, reliability, industrial level, wide temperature. The whole machine does not need power adapter, so it is convenient for harsh outdoor environment .reliable and convenient power for outdoor work AP, cameras etc.

Hardware Description

Front Panel

The front panel composed by PSE output port, input port and relevant indicator, as shown below:

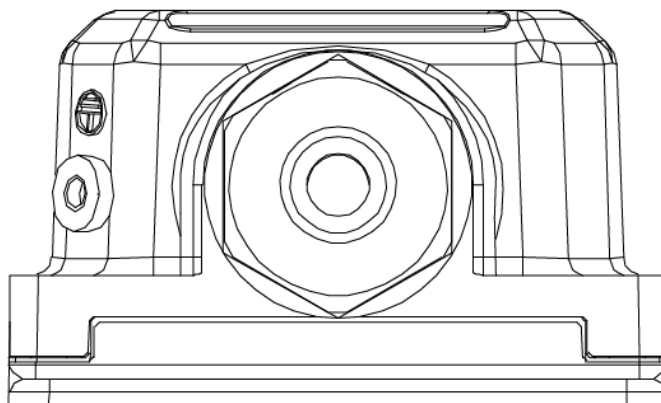


LED indicator

LED	Color	Function
LAN	Green	Off: No device is connected to the corresponding port Light: Indicates the link through that port is successfully established at 10/100/1000Mbps. Blink: transmitting data and power

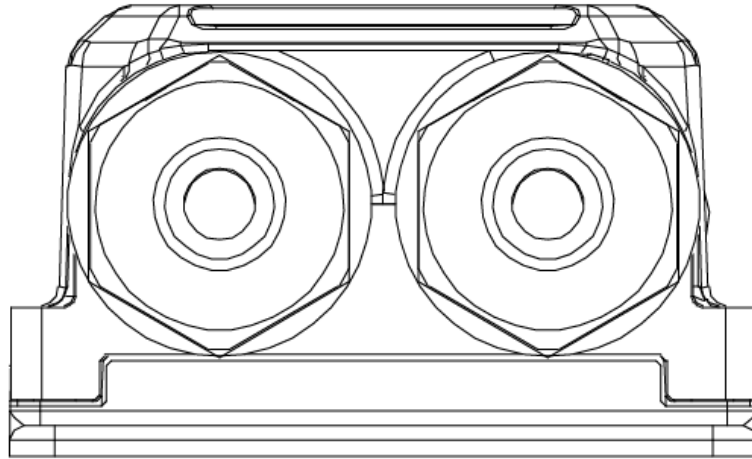
Left Panel

Schematic diagram of left panel: input port (PoE In) and grounding column, Standard network Cat5 cable (line diameter 5.5mm).



Right Panel

Schematic diagram of right panel: the output port (PoE out) requires the use of standard network cat5 cable (Line diameter 5.5mm).



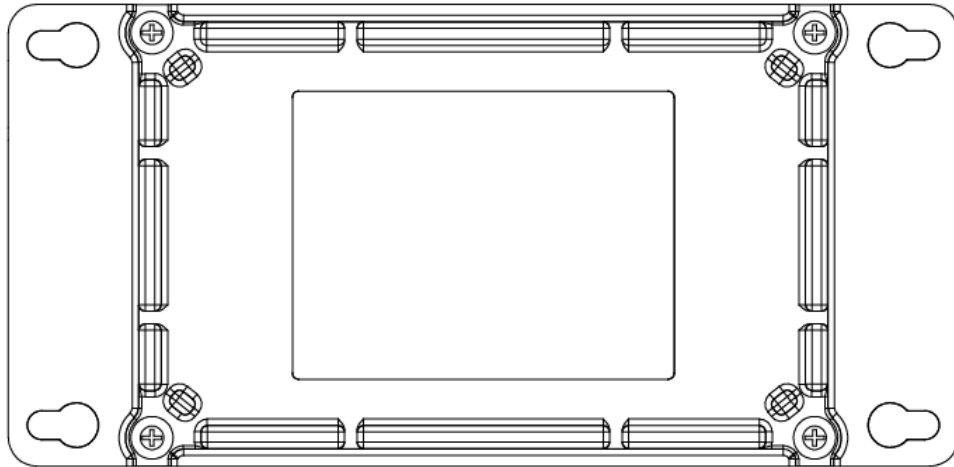
Installation

This part describes how to install your machine and make connections to it. Please follow the following instructions in avoid of incorrect installation causing device damage and security threat.

- The nuts of the waterproof joint should be tightened in full fit with the joint's thread and fit to the hexagon plane, otherwise it is easy to get water and damage the machine;
- Do not place the machine on an unstable case or desk. The machine might be damaged severely in case of a fall;
- Make sure that the operating voltage is the same one labeled on the machine;
- Do not open the chassis while the machine is operating or when electrical hazards are present to avoid electrical shocks.

Desktop Installation

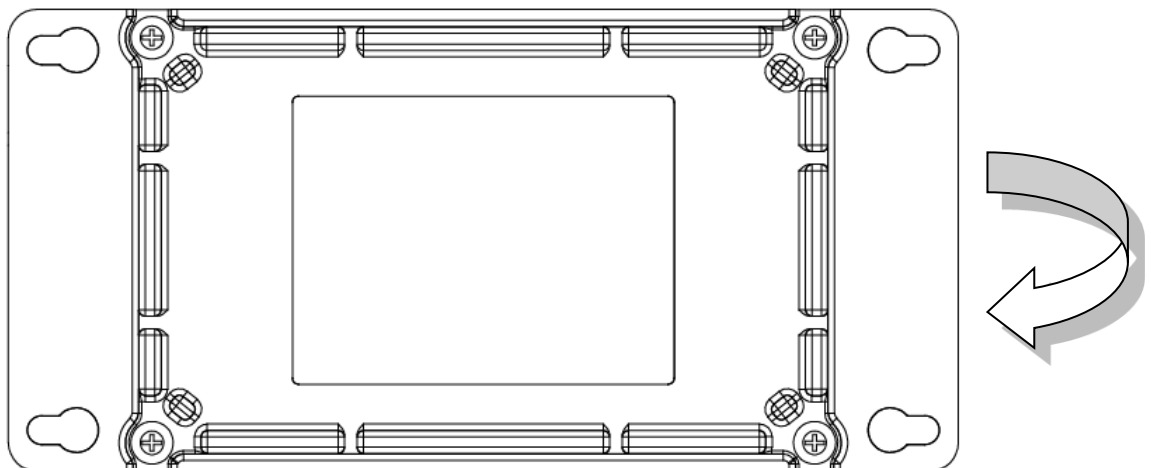
Install the machine on a desktop, place the machine carefully on the counter, the bottom is as follows:



Wall-mounted installation

Please follow these steps to install the machine:

First fix the four screws on the wall (screw cap diameter recommended 5.5-6.5mm) and turn the machine upside down. Align the four fixing holes of the machine as shown below and hang the machine smoothly on the screws.



Specifications

Model	2-port Gigabit waterproof PoE Extender
Port	PoE in port:1 x 10/100/1000Mbps RJ45 port PoE out port : 2 x 10/100/1000Mbps RJ45 port
Standard	IEEE802.3, IEEE802.3u, IEEE802.3ab, IEEE802.3af, IEEE802.3at, IEEE802.3bt , IEEE802.3x
Network Media(Cable)	10BASE-T: UTP category 3,4,5 cable (≤100m) 100BASE-TX: UTP category 5 cable (≤100m) 1000BASE-T: UTP category 5e cable (≤100m)
Dimensions (L*W*H)	150*73*44MM
PoE input	95W Max
PoE power output	48-55V DC Max.30W * 2 port
PSE Power on RJ-45	PoE in port::Anode1/2 Cathode3/6 or Anode4/5 Cathode7/8 PoE out port:: Anode1/2 Cathode3/6
Temperature	Operating Temperature: -20°C ~ 60 °C Storage Temperature : -40 °C ~ 80 °C
Humidity	Operating Humidity: 10% ~ 90% non-condensing Storage Humidity: 5% ~ 90% non-condensing
Waterproof rate	IP67
Hazardous rating	IK10

ALLNET GmbH Computersysteme declares that the device **ALL-PR20130-30W** is in compliance with the essential requirements and other relevant provisions of Directive 2014/30/EU. The Declaration of conformity can be found under this link: <http://ce.allnet.de>

ALLNET GmbH Computersysteme
Maistrasse 2
82110 Germering

Tel.: +49 (0)89 894 222 - 22
Fax: +49 (0)89 894 222 - 33
Email: info@allnet.de



CE Marking is the symbol as shown on the top of this page. The letters "CE" are the abbreviation of French phrase "Conformity European" which literally means "European Conformity". The term initially used was "EC Mark" and it was officially replaced by "CE Marking" in the Directive 93/68/EEC in 1993. "CE Marking" is now used in all EU official documents.



This symbol on the product or on its packaging indicates that this product must not be disposed of with your other household waste. Instead, it is your responsibility to dispose of your waste equipment by handing it over to a designated collection point for the recycling of waste electrical and electronic equipment. The separate collection and recycling of your waste equipment at the time of disposal will help to conserve natural resources and ensure that it is recycled in a manner that protects human health and the environment. For more information about where you can drop off your waste equipment for recycling, please contact your local city office, your household waste disposal service or the shop where you purchased the product.

This recycle logo indicates that this product is capable of being recycled, not that the product has been recycled or will be accepted in all recycling collection systems.



The RoHS directive aims to restrict certain dangerous substances commonly used in electronic and electronic equipment. This [RoHS compliant](#) symbol indicates the component is [tested](#) for the presence of Lead (Pb), Cadmium (Cd), Mercury (Hg), Hexavalent chromium (Hex-Cr), Polybrominated biphenyls (PBB), and Polybrominated diphenyl ethers (PBDE). For Cadmium and Hexavalent chromium, there must be less than 0.01% of the substance by weight at raw homogeneous materials level. For Lead, PBB, and PBDE, there must be no more than 0.1% of the material, when calculated by weight at raw homogeneous materials. Any RoHS compliant component must have 100 ppm or less of mercury and the mercury must not have been intentionally added to the component.



Safety Warnings

For your safety, be sure to read and follow all warning notices and instructions.

- Do not open the device. Opening or removing the device cover can expose you to dangerous high voltage points or other risks. Only qualified service personnel can service the device. Please contact your vendor for further information.
- Do not use your device during a thunderstorm. There may be a risk of electric shock brought about by lightning.
- Do not expose your device to dust or corrosive liquids.
- Do not use this product near water sources.
- Make sure to connect the cables to the correct ports.
- Do not obstruct the ventilation slots on the device.