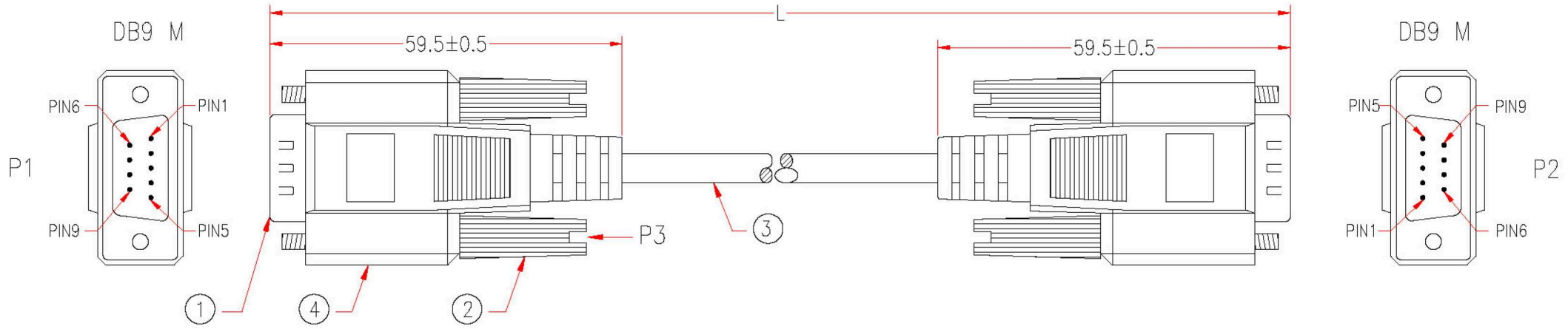


P1,P2:	M-Y139C
	M-139C
P3:	M-426E

Customer No:	No.6
--------------	------



ITEM NO.	Length "L"
EK129.2	2000mm
EK129.3	3000mm
EK129.5	5000mm
EK129.10	10000mm

1003-5		
P1		P2
1	brown	1
2	red	2
3	orange	3
4	yellow	4
5	green	5
6	blue	6
7	purple	7
8	grey	8
9	black	9
SHIELD		SHIELD

4	BLACK PVC TUBE $\phi 3.0 \times 22$ mm	2	M304
	ALUMINUM FOIL 33*65mm	2	M379
	MOLDED PE COLOR TRANSPARENT		TWN
	MOLDED PVC BEIGE		M304
3	NON-UL 9C 30AWG, ALUM-MYLAR FOIL SHIELDING WITH DRAIN WIRE, OD5.0mm, JACKET BEIGE, DRAWING No. EMAL3009C-085	L-10mm	M304
2	MOLDED THUMBSCREW #4-40, LENGTH 46.5mm, BEIGE	4	M95
1	DB9 MALE, GOLD FLASH ON CONTACTS, WHITE INSULATOR	2	M108
No.	DESCRIPTION	Q'TY	Supplier
PART NO. 1003-5		Revision:	
APPROVED		Cable Length Unless Other Spec. Tolerances: 0 ~200mm ± 10 mm 201~1000mm ± 20 mm 1001 ~1500mm ± 25 mm 1501~2100mm ± 30 mm 2100mm \uparrow ± 40 mm	
CHECKED			
DRAWING			
DATE	04/SEP/06	ITEM NO.	EK129.X
		UNIT:mm	