



No. d'article: 209788
Numéro de fabricant: ALL-CAM2496v3-LEFN

ALLNET IP Kamera Bullet / Outdoor / 5MP / IR / Low-Light / M

>>> [Vers l'article de la boutique en ligne](#)



EAN CODE



ALLNET IP Camera Bullet / Outdoor / 5MP / IR / Low-Light / Motorized varifocal lens / 93° / "ALL-CAM2496v3-LEFN"

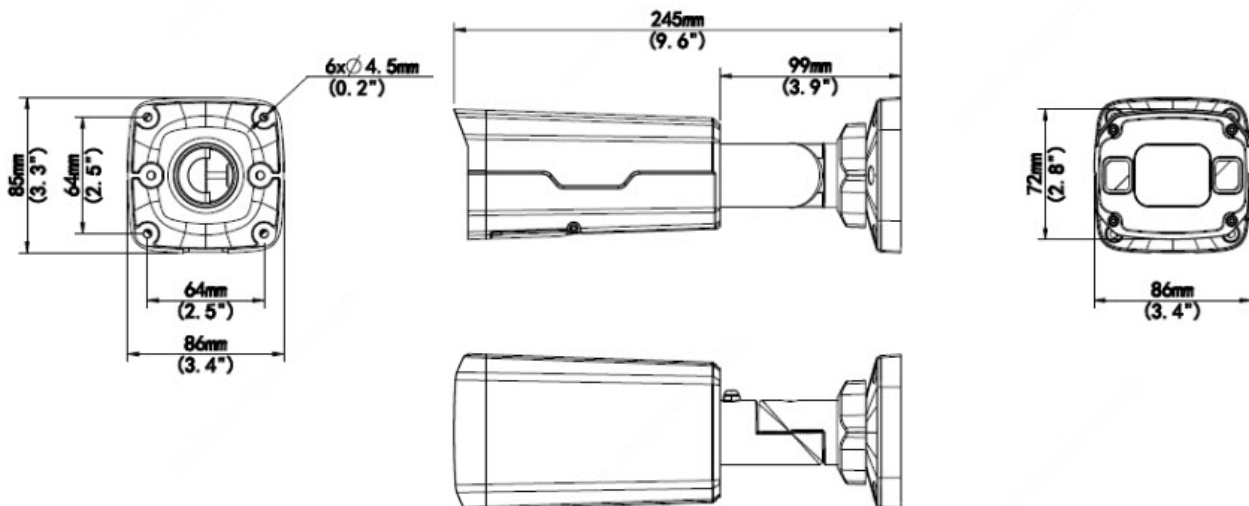
Highlights:

- **Optics**
 - 1/2.7", with light source
 - SmartIR, up to 50m (164 ft) IR distance
 - Up to 120 dB optical WDR (Wide Dynamic Range)
- **Compression**
 - Ultra 265, H.265, H.264, MJPEG
 - Triple streams
 - 2592*1944@20fps in main stream
 - ROI (Region of Interest)
- **Network**
 - ONVIF compliance
- **Setup**
 - DC12V or PoE power supply
 - Wide voltage range of $\pm 25\%$ in DC
 - Micro SD, up to 256 GB
 - Alarm 1 input and 1 output, audio 1 input and 1 output
 - IP67 ingress protection
 - IK10 vandal resistant

Key Features



Dimensions



Technical Details:

	ALL-CAM2496v2-LEFN				
Camera					
Sensor	1/2.7", 5.0 megapixel, progressive scan, CMOS				
Lens	2.7 ~ 13.5mm, AF automatic focusing and motorized zoom lens				
DORI Distance	Lens (mm)	Detect (m)	Observe (m)	Recognize (m)	Identify (m)
	2.7	60.8	24.3	12.2	6.1
	13.5	303.8	121.5	60.8	30.4
Angle of View (H)	106.25° ~ 30.42°				
Angle of View (V)	56.36° ~ 17.22°				



No. d'article: 209788
 Numéro de fabricant: ALL-CAM2496v3-LEFN

Angle of View (O)	110.34°~34.18°		
Adjustment angle	Pan: 0° ~ 360°	Tilt: 0° ~ 90°	Rotate: 0° ~ 360°
Shutter	Auto/Manual, 1 ~ 1/100000s		
Minimum Illumination	Colour: 0.002Lux (F1.2, AGC ON) 0Lux with IR on		
Day/Night	IR-cut filter with auto switch (ICR)		
Digital noise reduction	2D/3D DNR		
S/N	>56 dB		
IR Range	Up to 50m (164ft) IR range		
Wavelength	850nm		
IR On/Off Control	Auto/Manual		
Defog	Digital Defog		
WDR	120dB		
Video			
Video Compression	Ultra 265, H.265, H.264, MJPEG		
H.264 code profile	Baseline profile, Main profile, High profile		
Frame Rate	Main Stream:5MP (2880*1620), Max 30fps; 4MP (2560*1440), Max 30fps; 3MP (2304*1296), Max 30fps; 1080P (1920*1080), Max 30fps; Sub Stream: 720P (1280*720), Max 30fps; D1 (720*576), Max 30fps; 640*360,Max 30fps; 2CIF(704*288), Max 30fps; CIF(352*288), Max 30fps; Third Stream: D1 (720*576), Max 30fps; 640*360,Max 30fps; 2CIF(704*288), Max 30fps; CIF(352*288), Max 30fps;		
Video Bit Rate	128 Kbps~16 Mbps		
OSD	Up to 8 OSDs		
Privacy Mask	Up to 4 areas		
ROI	Up to 8 areas		
Motion Detection	Up to 4 areas		
Image			
White Balance	Auto/Outdoor/Fine Tune/Sodium Lamp/Locked/Auto2		



Digital Noise Reduction	2D/3D DNR
Smart IR	Supported
Flip	Normal/Vertical/Horizontal/180°/90°Clockwise/90°Anti-clockwise
Dewarping	N/A
HLC	Supported
BLC	Supported
Audio	
Audio Compression	G.711
Two-way audio	Supported
Suppression	Supported
Sampling Rate	8KHZ
Storage	
Edge Storage	Micro SD, up to 256GB
Network Storage	ANR
Network	
Protocols	IPv4, IGMP, ICMP, ARP, TCP, UDP, DHCP, RTP, RTSP, RTCP, DNS, DDNS, NTP, FTP, UPnP, HTTP, HTTPS, SMTP, SSL, SNMP
Compatible Integration	ONVIF (Profile S, Profile G, Profile T), API
Client	EZStation EZView EZLive
Web Browser	Plug-in required live view: IE9+, Chrome 41 and below, Firefox 52 and below
	Plug-in free live view: Chrome 57.0+, Firefox 58.0+, Edge 16+, Safari 11+
Interface	
Audio I/O	Input: impedance 35k?; amplitude 2V [p-p]
	Output: impedance 600?; amplitude 2V [p-p]
Alarm I/O	1/1
Network	1 RJ45 10M/100M Base-TX Ethernet
Certifications	



No. d'article: 209788
Numéro de fabricant: ALL-CAM2496v3-LEFN

Certifications	CE: EN 60950-1 UL: UL60950-1 FCC: FCC Part 15
General	
Power	DC 12V±25%, PoE (IEEE 802.3af) Power consumption: Max 8.0 W
Dimensions (L x W x H)	245 x 86 x 72mm (9.6" x 3.4" x 2.8")
Net Weight	0.92kg (2.0lb)
Material	Metal
Working Environment	-30°C ~ 60°C (-22°F ~ 140°F), Humidity: ?95% RH (non-condensing)
Storage Environment	-30°C ~ 60°C (-22°F ~ 140°F), Humidity: ?95% RH (non-condensing)
Surge Protection	6KV
Ingress Protection	IP67
Vandal Resistant	IK10
Reset Button	N/A

Accessoires

No. d'article	Désignation
159710	ALLNET ALL-CAM2496-LEFN zbh. Junction Box
159709	ALLNET IP-Cam MP Outdoor ALL-CAM24xx zbh. Pole-Mount/Masthal
99305	ALLNET ALL95100 / TP Cat 6 Gigabit surge arrester
186548	ALLNET Injecteur PoE Gigabit PoE & PoE+ (15,4W/30W)
112270	ALLNET ALL048900V2 / Power over Ethernet Injector AT++ 90W
113046	ALLNET ALL048605PD / unmanaged 5 Port Gigabit PoE Switch
99315	ALLNET ALL8804PoE+ / unmanaged 8 port Gigabit Switch HPoE, 2
93392	ALLNET ALL8808POE / 8 ports Gigabit Full PoE Switch
193997	ALLNET Switch full managed 8 port Gigabit 130W / 8x PoE+ /
193997	ALLNET Switch full managed 8 port Gigabit 130W / 8x PoE+ /
194025	ALLNET Switch full managed 24 Port Gigabit 390W / 24x PoE+



No. d'article: 209788
Numéro de fabricant: ALL-CAM2496v3-LEFN

No. d'article	Désignation
112082	ALLNET ALL-SG8826PMX-10G / full managed 24 Port Gigabit/2x S
200625	ALLNET Videosever NVR Box mit Networkoptix Server, RK3399, 2GB, ALL2288
124355	Networkoptix IP Nx-Professional Videomanagement Software 1 Kanal "X86 Platform"
162926	Networkoptix IP Nx-Professional Videomanagment Software 4 Kanal "X86-Platform"
162927	Networkoptix IP Nx-Professional Videomanagment Software 8 Kanal "x86 Platform"
146999	ALLNET PoE USV Backup - USV für Kameras, Accesspoints ALL900

[Cliquez ici pour découvrir d'autres articles de cette catégorie dans notre boutique.](#)