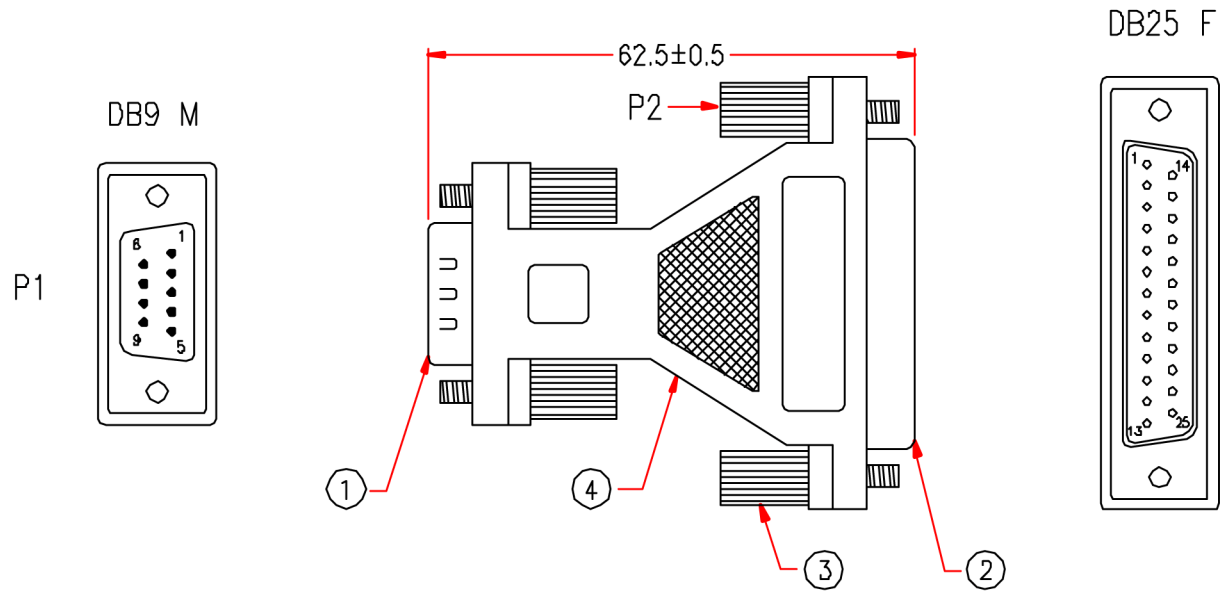


P1:	M-Y417A
	M-417A
P2:	M-427A



4026	
P1	P2
1 _____	8
2 _____	3
3 _____	2
4 _____	20
5 _____	7
6 _____	6
7 _____	4
8 _____	5
9 _____	22
SHIELD _____	SHIELD

4	UL1061 26AWG INSULATOR, LENGTH 47mm(9pcs) & 55mm(1pcs)	10	M304
	MOLDED PE COLOR TRANSPARENT		TWN
	MOLDED PVC BEIGE		M304
3	MOLDED THUMBSCREW #4-40, LENGTH 21.5mm, BEIGE	4	M95
2	DB25 FEMALE, GOLD FLASH ON CONTACTS, WHITE INSULATOR	1	M108
1	DB9 MALE, GOLD FLASH ON CONTACTS, WHITE INSULATOR	1	M108
No.	DESCRIPTION	QTY	Supplier
PART NO. 4026		Revision: _____	
APPROVED		Cable Length Unless Other Spec. Tolerances: 0 ~0.2M ±0.01M 0.21~1.0M ±0.02M 1.1 ~1.5M ±0.025M 1.51~2.1M ±0.03M 2.1M ↑ ±0.04M	
CHECKED	TIAN		
DRAWING	RACHEL		
ITEM NO.	EB914F		