

## ALLNET Switch unmanaged outdoor accessories Pole Mount

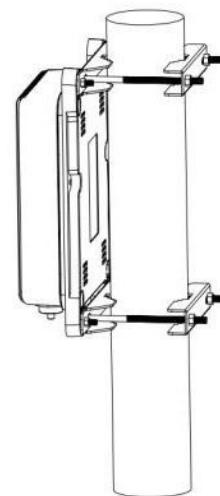
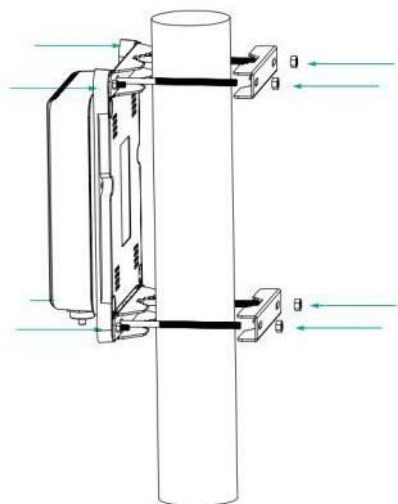


EAN CODE



Outdoor installation Kit(Pole mounting)  
Mini Pole diameter:25mm(1 inch)  
Max Pole diameter:101.6mm(4 inch)

### Images supplémentaires





No. d'article: 191672  
Numéro de fabricant: ALL-SGO83-Pole-Kit

## Accessoires

No. d'article	Désignation
180817	ALLNET Switch unmanaged outdoor 3 Port Gigabit 100W / 3x PoE+ / 1x SFP / Lüfterlos / IP66 / "ALL-SGO8103P"