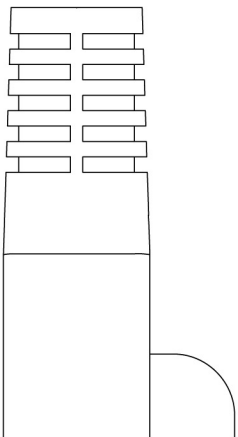
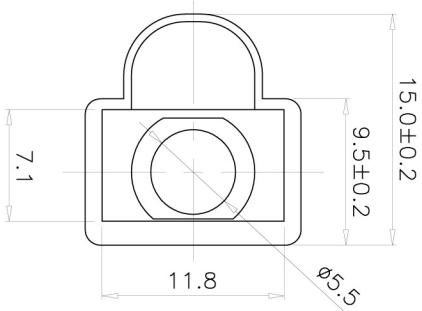
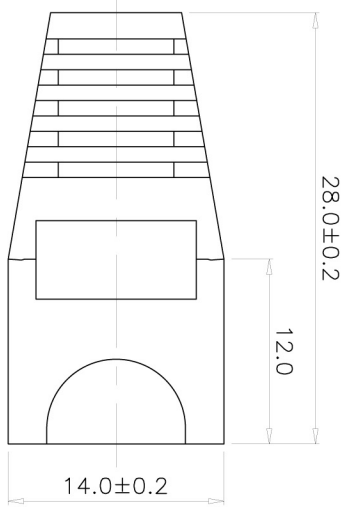


SCALE 2/1



Remark : SR-V11/XXXA

(1) XX : Boot COLOR
 RD(RAL3031)=RED OR(RAL2003)=ORANGE YL(RAL1021)=YELLOW
 GN(RAL6029)=GREEN BL(RAL5015)=BLUE BK(RAL9011)=BLACK
 PU(RAL4006)=PURPLE GY(RAL7035)=GRAY WH(RAL9010)=WHITE

Specification :

Material :
 1. SR : PVC 70%.

GENERAL TOLERANCE OF DIMENSIONS	±0.005
X.XXX	±0.05
XXX	±0.1
X.X	

DRAWING	08.FEB.2006	SHUJUAN
CHECK	08.FEB.2006	VICKY
APPROVAL	08.FEB.2006	JAIMY
DATE		NAME

SCALE	2/1 (A4)	UNIT	mm	DES.: SR-V11 Ø5.5mm
DRAWING NO.	SR-V11-XXA(SA1)			
DRAWING CLASSIFICATION	S	SHEET	1 OF 1	

DRAWING NO.	SR-V11-XXA(SA1)
DRAWING CLASSIFICATION	S
SHEET	1 OF 1
ITEM NO.:	SR-V11/XXXA



1 2 3 4 5 6 10cm