

The screenshot shows the ATEN website's product page for the KA7175. At the top left is the ATEN logo with the tagline "Simply Better Connections". To the right are navigation links: Home, Partner Center, Contact Us, and Site Map. Below these is a horizontal menu with categories: CORPORATE, SOLUTIONS, PRODUCTS, RESOURCE, SUPPORT, and DOWNLOAD. A "Select Language" dropdown is also present. The main banner features a computer mouse and keyboard with the word "Products" in large white text. Below the banner are two search bars: "Product Browser" and "Key Words Search", and a "Model Search" dropdown set to "Select a Model". On the left is a vertical navigation menu with expandable sections: Enterprise Solutions, SMB Solutions, SOHO Solutions, Embedded Solutions, Accessories, Video Products, USB & Firewire, Data Communication, and KVM Cables. The main content area displays the product name "KA7175" and a large image of the adapter cable. To the right of the main image are two smaller inset images: one of the black CPU module and another of the blue VGA and USB connectors. Below the main image is a "Download" section with icons for Manual, Driver, QSG, and Firmware. To the right of the product image are two buttons: "KVM Wizard" and "Online Test". Below these buttons is the text "Over the NET™ Solutions - CC2000 & KN4140v". At the bottom of the product section is a bullet point: "• USB Virtual Media KVM Adapter Cable (CPU Module)" followed by a description: "→ The KA7175 USB Virtual Media KVM Adapter Cable connects the KVM switch to the video and USB ports of the target computer. With its small form factor and light weight design, it represents the next generation of USB Virtual Media KVM Adapter Cables - offering

superior signal compensation and delay skew techniques for greatly enhanced video quality.



Patent NO. : CN ZL 98252015.8 , DE 29903667.7 , TW 194030 , US 6160543 , CN ZL 00327583.3 , TW 077203 , US D459308 , CN ZL 01124239.6 , TW 150098 , US 6489854 , CN ZL 200410031689.0 , TW I237762 , DE 102004019107 , US 7613854 , TW I243890 , JP 4160936 , DE 102004058233 , US 7532998 , CN ZL 200410042772.8

Features

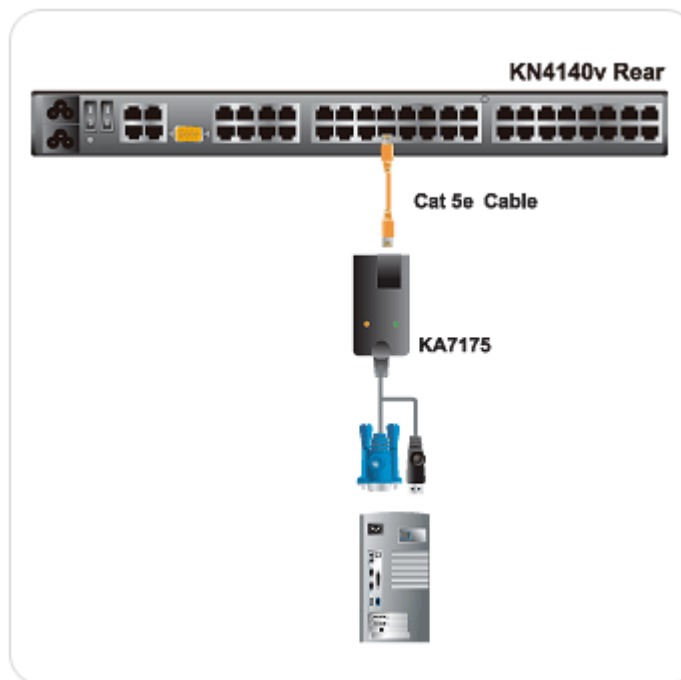
- Auto Signal Compensation (ASC), no DIP switch setting needed for the different distances
- Keyboard and mouse emulation – keeps your server functioning smoothly when it is disconnected from the switch's KVM port or relocated to different KVM port
- Lifetime firmware upgrades
- Superior video quality – supports resolution of up to 1600 x 1200 within the distance of up to 50m
- Built in ASIC for greater reliability and compatibility
- CPU module designed with automatic conversion to allow for flexible interface combinations (PS/2, USB) to control all computer types (PC, Mac, Sun)
- Compact size
- Virtual Media Support

Package Content

- 1 x KVM Adapter Cable

- 1x Rack Mount Kit
- 1x Rack Mounting Guide

Diagram



[+ View enlargement](#)

Specification

Connectors	Link	1 x RJ-45 Female
	USB to computer	1 x USB Type A Male
	VGA to computer	1 x HDB-15 Male
LEDs	On Line	1 (Green)

	Link	1 (Orange)
Physical Properties	Housing	Plastic
	Weight	146 g
	Dimensions (L x W x H)	9.00 x 4.30 x 2.30 cm

* The specification and pictures are subject to change without notice.
* All trademarks and logos are the properties of their respective holders.



© ATEN INTERNATIONAL Co., Ltd. All rights reserved.