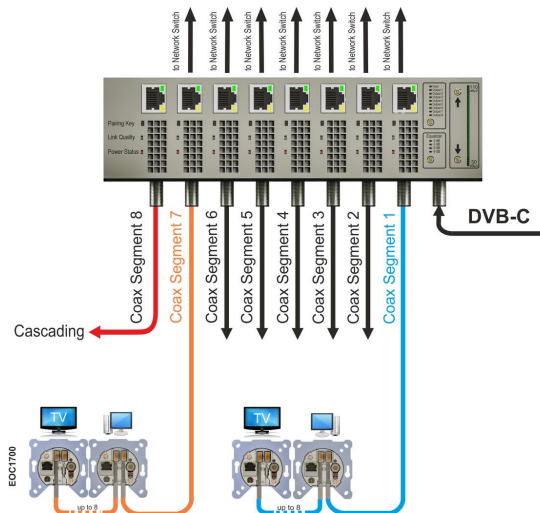


## ALLNET Point-to-Point Coax 8 Port Master Chassis/Amplifier EOC 100 without modules incl. power supply "ALL-GHN108M-Coax-100"

>>> Vers l'article de la boutique en ligne



EAN CODE

## ALLNET Point-to-Point Coax 8 Port Master Chassis "ALL-GHN108M-Coax" without modules

The distribution amplifier ALL-GHN108M-Coax is a highly integrated solution to provide a Gigabit network on 8 coaxial lines. Up to 8 G.hn modems deliver 750 Mbit or 1700 Mbit net per coaxial strand, depending on the model. A built-in power meter simplifies service during and after installation. Without compatibility to a cable network operator, even up to 1700 Mbit is available. Signal strength and skew can be digitally adjusted. If compatibility with a cable network operator is required, 750 Mbit are available. The ALL-GHN108M-Coax takes over all tasks such as filling, amplifying and splitting the TV signals as well as inserting the G.hn network data. Elaborate mounting boards / installations are not necessary.

The chassis are available for EOC-Ethernet over COAX with 100MHz modules for DVB-C coexistence and as 200MHz with more bandwidth without DVB-C coexistence. Or explained differently.

The EOC 100 and EOC 200 differ as follows:

EOC 100 1 Gbit/650 Mbit (gross/net).

EOC 200 2 Gbit/1.7 Gbit (gross/net)

EOC 100 and EOC 200 - What's behind them !

The EOC 100 uses the frequency band 2-87 MHz for data transmission and can provide the broadband cable signal (DVB-C) from 88 to 860 MHz, so that the cable connection of your provider can still be fully used.

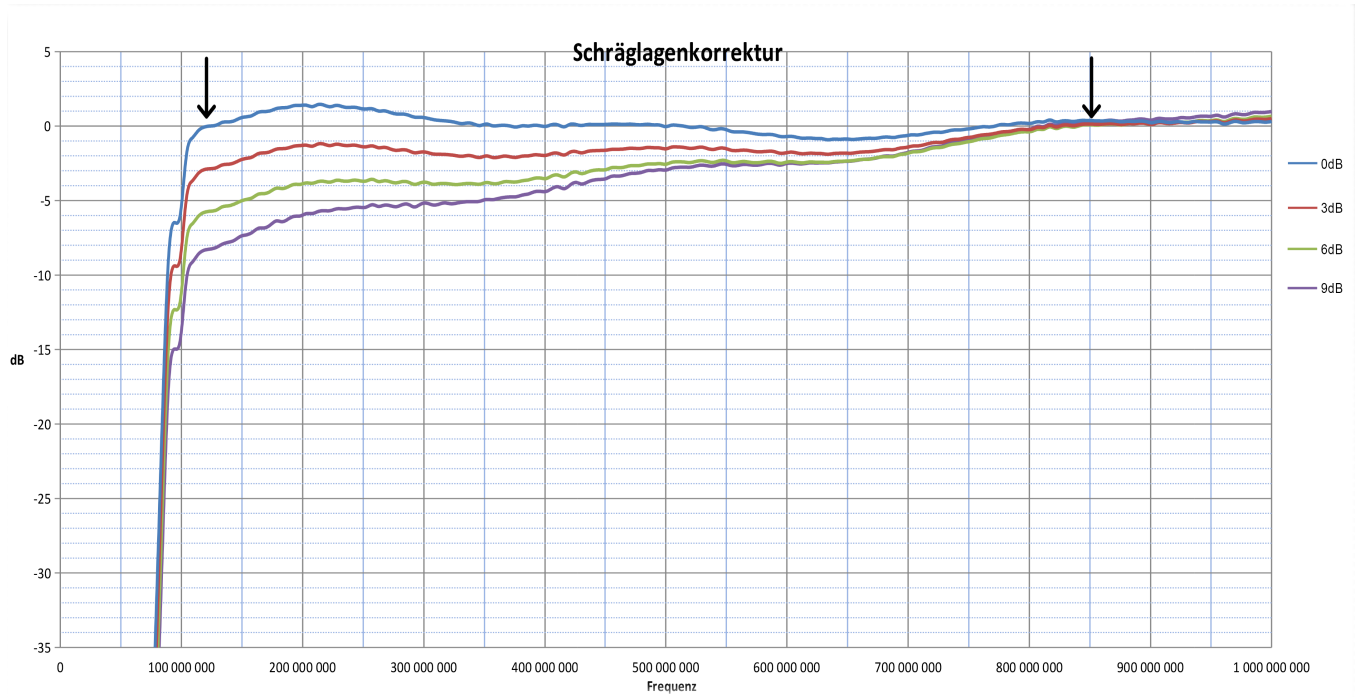


The EOC 200 uses a frequency band of 2-199 MHz. Ideal for operators of a head-end station who want to change their frequency allocation.

## Technical Details:

### ALL-GHN108M-Coax

- Gain 33 dB (internal 48dB)
- Bandwidth 1.2 GHz
- Ripple 1 dB
- integrated amplifier 125 dB $\mu$ V
- Noise figure 4 dB
- Ground noise -170 dBm/Hz
- integrated 8-fold splitter
- 8 outputs with max. 108 dB $\mu$ V
- Return path inhibitor
- high-pass and low-pass filter
- internal power meter 50 dB $\mu$ V to 110 dB $\mu$ V
- up to 8 G.hn modules (Part No: 221229 ALL-GHN108-100-Modul)
- up to 64 subscribers / EOC100 (Part No: 221230 ALL-GHN108S-100-UP-Dose or Part No: 221231 ALL-GHN108S-100-WIFI)
- Remote power supply 24 V up to 40 EOC100 (Part No: 221230 ALL-GHN108S-100-UP-Dose or Part No: 221231 ALL-GHN108S-100-WIFI)
- Digital adjustable:
  - 8x 31 dB attenuator (0.5 dB steps)
  - Skew correction (0-3-6-9 dB)



Important: Setting the output power

The total band power (approx. 90 transponders) is 19.5 dB higher compared to the output power of a single transponder determined with a measuring device!



You must take this into account when making the setting!

Example 1

1 transponder:

80.0 dB $\mu$ V measured

90 transponders:

99.5 dB $\mu$ V Band power

The LED display on the unit shows 99 dB $\mu$ V.

Result: The input signal can (only) be amplified by 10 dB.

Example 2

1 transponder:

90.0 dB $\mu$ V measured

90 transponder:

109.5 dB $\mu$ V Band power

The LED display on the unit shows 109 dB $\mu$ V.

Result: The input signal cannot be amplified any further.

Consideration for 5 flush-mounted boxes in the line:

Good television reception requires 60 dB $\mu$ V - 75 dB $\mu$ V at the input.

An EOC 1000/EOC 2000 flush-mounted box has a throughput attenuation of 2-3 dB and an outcoupling attenuation of 18 dB.

The AMP X8 delivers a maximum of 110 dB $\mu$ V per line.

After 5 EOC 1000/EOC 2000 flush-mounted boxes connected in series, the total attenuation is:

4x3

dB

Continuity attenuation

+

18

dB

Outcoupling attenuation

+

4x1-2

dB

Attenuation in coaxial cable

=

34-38

dB

Total attenuation

An optimum setting on the AMP X8 would then be:

60 b $\mu$ V-65 dB $\mu$ V + 38 dB = 98-103 dB $\mu$ V.

The output of the first socket would then be 12 dB, i.e. 72 b $\mu$ V-77 dB $\mu$ V.



No. d'article: 193132  
Numéro de fabricant: ALL-GHN108M-Coax-100

## Accessoires

No. d'article	Désignation
221229	ALLNET Point-to-Point Coax 8 Port Master Chassis/Amplifier EOC 100 zbh. EOC G.hn module for chassis 100MHz
221230	ALLNET Point-to-Point Coax 8 Port Master Chassis/Amplifier EOC 100 zbh. EOC G.hn flush-mounted box/through box "ALL-GHN108S-100-UP socket
221231	ALLNET Point-to-Point Coax 8 Port Master Chassis/Amplifier EOC 100 zbh. EOC G.hn WIFI flush-mounted box/pass-through box "ALL-GHN108S-100-WIFI