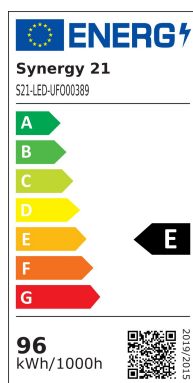


## Synergy 21 LED spot pendant luminaire UFO 96W for industrial/warehouse ww 90° DIM



kwh/1000h:	96,00
Lumens:	12960
Watt:	96,0
Nominal Service Life:	50000 Std.
Switching Cycles:	50000
Opt. Ambient Temperature.:	25 °C



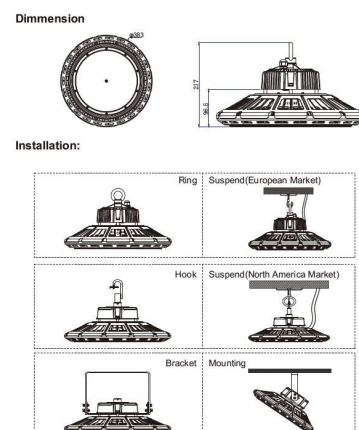
AC 90-305V/50-60Hz  
Dimmbar: 1-10 Volt  
Leistung: 96 Watt  
Lichtstrom: 12960lm  
Effizienz: 135lm/W  
Abstrahlwinkel: 90°  
CRI Ra: > 80  
Lichtfarbe: warmweiß  
Kelvin: 3000K ± 10%  
Arbeitstemp: -40 bis +55°C  
Schutzklasse: IP65, IK10, "D" Kennzeichen nach EN 60598-2-24  
Gewicht: 4,8Kg  
Durchmesser: 260mm  
Höhe komplett: 177,5mm  
Energieeffizienzklasse: A++  
kWh/1000h: 96

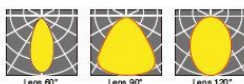
5 Jahre Garantie  
IES Files auf Anfrage erhältlich

### Attributes

Attribute	Value
Abstrahlwinkel:	120
Betriebstemperatur:	-40 bis +55
CRI:	>80
Dimmbar:	0-10V
Grösse:	260*177,5
LED - Gehäusefarbe:	schwarz
LED - Gehäusematerial:	Aluminium
Lichtfarbe:	neutralweiß
Lichtfarbe in Kelvin:	4000
Lumen:	12960
Schutzklasse:	IP65, IK10
Volt:	230
Weight:	4.8 Kg
Warranty:	60.00 Months

## Additional Images



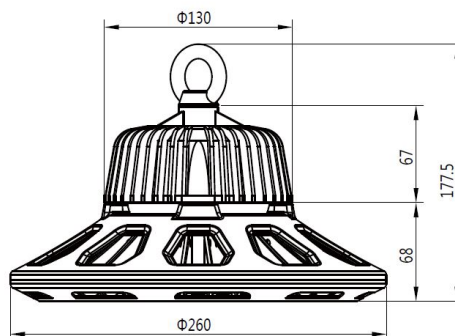


### Product Description

- 1, Compact and fasion design .Light weighted : 4.80kg
- 2, Philips 3030 LED as light source , CR>80Ra
- 3, MEAN WELL HBG Series power supply . PF>0.95
- 4, High lumen efficiency : 135lm/w
- 5, 5 years warranty .

### Performance Summary

Input Power: 80W, 100W, 150W, 200W, 230W  
 CRI: >70Ra/80Ra  
 CCT: 3000k-6500K  
 Input Voltage:90-305Vac  
 Limited Warranty :5 years' warranty  
 High Efficacy Lifetime: 50000hours  
 Dimming:Non-dimmable & 1-10V Dimmable  
 Working Temperature : - 20°C – +45 °C(Amb)



## Accessories

Part No.	Name
139690	Synergy 21 LED spot pendant light UFO add. Radar Kit S
142944	Synergy 21 LED spot pendant light UFO add. Wall bracket for UFO size S bracket long
142943	Synergy 21 LED spot pendant light UFO add. Wall bracket for UFO size S bracket short
144402	Synergy 21 LED spot pendant light UFO add. Ball cage S
148951	Synergy 21 LED spot pendant light UFO add. Lampshade S
124243	Mean Well power supply unit - DALI Controller

Part No.	Name
137874	Mean Well power supply unit - DALI Controller S01
148726	Synergy 21 - Waterproof connector 1:1
148727	Synergy 21 - Waterproof connector 1:2
148730	Synergy 21 - Waterproof connector box 3 ports
148729	Synergy 21 - Waterproof connector box 3 ports transparent
148728	Synergy 21 - Waterproof connector box 4 ports
133947	ALLNET MSR ALL4460 / 0-10V DIMM actuator with ON/OFF for LED
134571	ALLNET ALL3419 / IP Building-Autom. 3x I2C, 1x USB, LAN/WLAN
134899	Synergy 21 Netzteil - Einschaltstrombegrenzer OSRAM
157359	Finder SSR relay (inrush current limiter)
157358	Finder installation contactor 25A (inrush current limiter)
158976	Finder dimmer for top-hat rail Master
158977	Finder dimmer for top-hat rail SLAVE
140646	Synergy 21 LED sensor 0-10V brightness sensor