



ALL-MC116SPV-VDSL2
VDSL2 Slave Bridge with PoE
USER'S MANUAL

Copyright

Copyright © 2021 by ALLNET. All rights reserved.

Trademarks

ALLNET is a trademark of ALLNET Corp.

Other brand and product names are registered trademarks or trademarks of their respective holders.

Legal Disclaimer

The information given in this document shall in no event be regarded as a guarantee of conditions or characteristics. With respect to any examples or hints given herein, any typical values stated herein and/or any information regarding the application of the device, National Enhance Technology Corp. hereby disclaims any and all warranties and liabilities of any kind, including without limitation warranties of non-infringement of intellectual property rights of any third party.

Statement of Conditions

In the interest of improving internal design, operational function, and/or reliability, ALLNET reserves the right to make changes to the products described in this document without notice. ALLNET does not assume any liability that may occur due to the use or application of the product(s) or circuit layout(s) described herein.

Maximum signal rate derived from IEEE Standard specifications. Actual data throughput will vary. Network conditions and environmental factors, including volume of network traffic, building materials and construction, and network overhead, lower actual data throughput rate. ALLNET does not warrant that the hardware will work properly in all environments and applications, and makes no warranty and representation, either implied or expressed, with respect to the quality, performance, merchantability, or fitness for a particular purpose. Make sure you follow in line with the environmental conditions to use this product.

Foreword: VDSL2 solution

Attention:

Be sure to read this manual carefully before using this product. Especially Legal Disclaimer, Statement of Conditions and Safety Warnings.

ALL-MC116SPV is a VDSL2 CPE Bridge plus 2 x 10/100/1000Base-T LAN ports with PoE solution, Line port is compliant with G.993.2 VDSL2 standard and providing up to 160Mbps symmetric by only a single pair copper wire. specially designed support G993.5 vectoring function for connecting to IP DSLAM or a LAN to LAN extension with PoE and supporting both symmetrical and asymmetrical transmission at up to 100/100Mbps up to 300 meters and 5 / 1Mbps up to 3000 meters, this is a perfect solution to IP DSLAM / extend LAN with PoE for hospital, IP Surveillance, WiFi AP with PD devices at any location outside of the 100 meters reach.

Caution:

The ALL-MC116SPV is for **indoor** applications only. This product does not have waterproof protection, please do not use in outdoor applications.

Safety Warnings

For your safety, be sure to read and follow all warning notices and instructions before using the device.

- ◆ **DO NOT** open the device or unit. Opening or removing the cover may expose you to dangerous high voltage points or other risks. ONLY qualified service personnel can service the device. Please contact your vendor for further information.
- ◆ **Use ONLY** the dedicated power supply for your device. Connect the power to the right supply voltage (110V AC used for North America and 230V AC used for Europe. ALL-MC116SPV supports 54 VDC power input.
- ◆ **Place** connecting cables carefully so that no one will step on them or stumble over them. **DO NOT** allow anything to rest on the power cord and do **NOT** locate the product where anyone can work on the power cord.
- ◆ **DO NOT** install nor use your device during a thunderstorm. There may be a remote risk of electric shock from lightning.
- ◆ **DO NOT** expose your device to dampness, dust or corrosive liquids.
- ◆ **DO NOT** use this product near water, for example, in a wet basement or near a swimming pool.
- ◆ **Connect ONLY** suitable accessories to the device.
- ◆ **Make sure** to connect the cables to the correct ports.
- ◆ **DO NOT** obstruct the device ventilation slots, as insufficient air flow may harm your device.
- ◆ **DO NOT** place items on the device.
- ◆ **DO NOT** use the device for outdoor applications directly, and make sure all the connections are indoors or have waterproof protection place.
- ◆ **Be careful** when unplugging the power, because it may produce sparks.
- ◆ **Keep** the device and all its parts and accessories out of the reach of children.

- ◆ **Clean** the device using a soft and dry cloth rather than liquid or atomizers. Power off the equipment before cleaning it.
- ◆ This product is **recyclable**. Dispose of it properly.

TABLE OF CONTENTS

COPYRIGHT	1
FOREWORD: VDSL2 SOLUTION	2
SAFETY WARNINGS	3
CHAPTER 1. UNPACKING INFORMATION	7
1.1 CHECK LIST	7
CHAPTER 2. INSTALLING THE BRIDGE	8
2.1 HARDWARE INSTALLATION	8
2.2 PRE-INSTALLATION REQUIREMENTS	8
2.3 GENERAL RULES	9
2.4 CONNECTING THE BRIDGE	10
2.5 CONNECTING THE RJ-11 / RJ-45 PORTS	11

2.6 VDSL2 BRIDGE APPLICATION	13
CHAPTER 3: HARDWARE DESCRIPTION.....	14
3.1 FRONT PANEL.....	15
3.2 FRONT INDICATORS	15
3.3 REAR PANEL.....	16
APPENDIX A: CABLE REQUIREMENTS	17
APPENDIX B: PRODUCT SPECIFICATION.....	20
APPENDIX C: DIN-RAIL MOUNT INSTALLATION.....	22
APPENDIX D: TROUBLESHOOTING.....	23

Chapter 1. Unpacking Information

1.1 Check List

Carefully unpack the package and check its contents against the checklist.

			
1 x ALL-MC116SPV	Accessory: 4 x Rubber Feet, 1 x DC54V /1.66A Desktop Power Adapter, 1x AC Power cord		

Notes:

1. Please inform your dealer immediately for any missing or damaged parts. If possible, retain the carton including the original packing materials. Use them to repack the unit in case there is a need to return for repair
2. If the product has any issue, please contact your local supplier
3. Do not use sub-standard power supply. Before connecting the power supply to the device, be sure to check compliance with specifications. The ALL-MC116SPV support DC54V / 1.66A power input.
4. The power supply included in the package is commercial-grade. Do not use in industrial-grade applications.
5. If you would like to use the telephone, please purchase a suitable external splitter and install to the line port.
6. Please look for the QR code on the bottom of the product, the user can launch the QR code scanning

program to scan and download the user's manual electronic format file. Above QR code icon is for reference.

Chapter 2. Installing the Bridge

2.1 Hardware Installation

This chapter describes how to install the bridge and establish the network connections. The ALL-MC116SPV may be installed on any level surface (e.g. a table or shelf or rail). However, please take note of the following minimum site requirements before one begin.

2.2 Pre-installation Requirements

Before you start the actual hardware installation, make sure you can provide the right operating environment, including power requirements, sufficient physical space, and proximity to other network devices that are to be connected.

If you experience any error or problem, please be sure, ALLNET will care for you and the problem. Please contact your local dealer for support. If you are told to send the device for RMA and repair, ALWAYS ship the whole device with power supplies.

Verify the following installation requirements:

- Power requirements: **DC 54V power.**
- The bridge should be located in a cool dry place, with at least **10cm/4in** of space at the front and back for ventilation.
- Place the bridge away from direct sunlight, heat sources, or areas with a high amount of electromagnetic interference.
- Check if the network cables and connectors needed for installation are available.
- Do not install phone lines strapped together with AC power lines, or telephone office line with voice

- signal.
- Avoid installing this device with radio amplifying station nearby or transformer station nearby.

2.3 General Rules

Before making any connections to the bridge, please note the following rules:

- **Ethernet Port (RJ-45)**

All network connections to the bridge Ethernet port must be made using Category 5a UTP/STP or above for 1Gbps, Category 5 UTP/STP or above for 100Mbps, Category 3, 4 UTP for 10Mbps.

No more than 100 meters of cabling may be use between the MUX or Switch and an end node.

- **VDSL2 Port (RJ-11)**

All network connections to the RJ-11port must use **24~26** gauge with **twisted pair** phone wiring.

We **do not recommend** the use of the telephone line 28 gauge or above.

The RJ-11 connectors have six positions, two of which are wired. The router uses the center two pins. The pin out assignment for these connectors is presented below.

Please note that the line port is no polarity, therefore user can reverse the two wires of the phone cable when installed.

RJ-11 Pin out Assignments

Pin#	MNEMONIC	FUNCTION
1	NC	Unused
2	NC	Unused
3	DSL	Used

4	DSL	Used
5	NC	Unused
6	NC	Unused_

- **External Splitter installing**

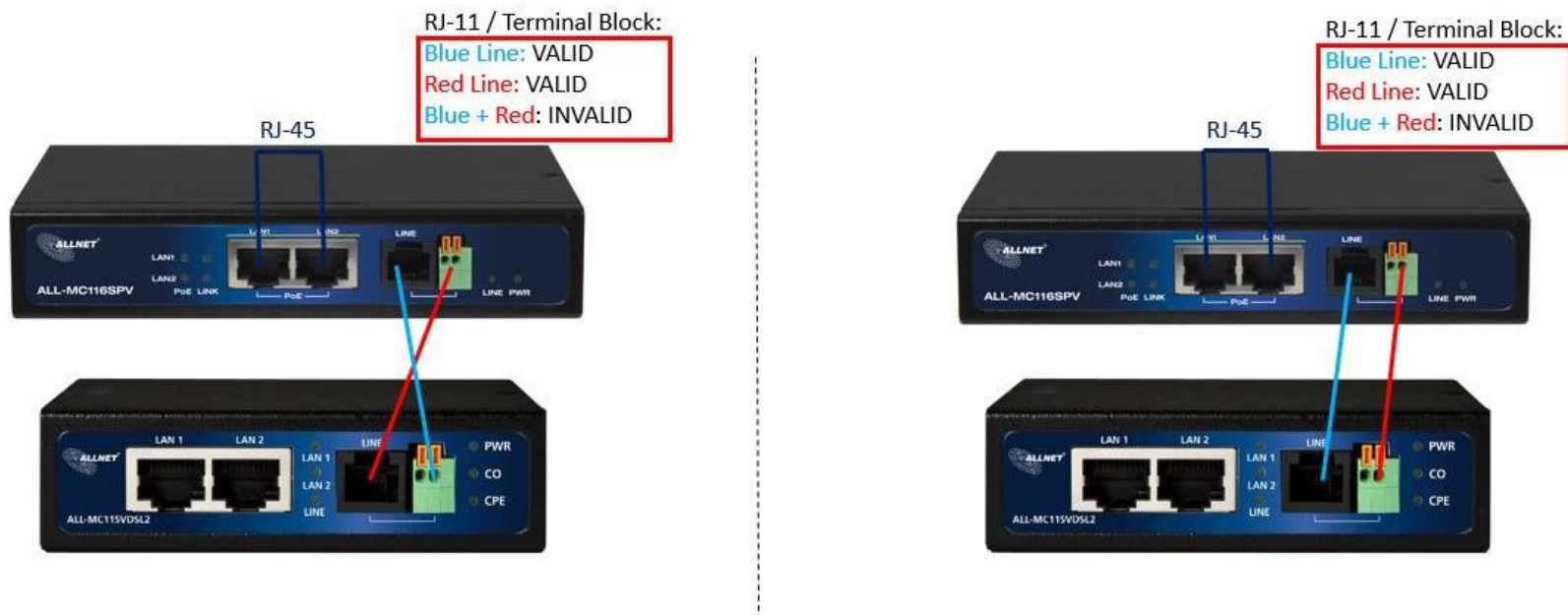
ALL-MC116SPV need install external splitter depend on PBX systems such as POTS/ISDN, when connecting with phone set and please make sure splitter which is compatible with local PBX system.

2.4 Connecting the Bridge

The bridge has two Ethernet ports which support connection to Ethernet operation and PoE function. The devices attached to these ports must support auto-negotiation or 10Base-T or 100Base-TX unless they will always operate at half duplex. ALL-MC116SPV Giga Ethernet port with POE is used to connect to external power splitter(PoE) or build in power splitter of networking devices such as IP CAM, VOIP, wireless AP, sensor scanner or other power splitter(PD side) more than 30W.

2.5 Connecting the RJ-11 / RJ-45 Ports

- ◆ The line port has RJ-45 and terminal block combo. It is used to connect from IPDSLAM /NV-202/NV-500 (CO side) to ALL-MC116SPV(CPE side) by single pair phone cable . Take note that ALL-MC116SPV line port cannot be used at the same time. Either RJ-11 port is connected or terminal block is connected using straight connection ([Figure 2.4](#)) or cross-over connection ([Figure 2.5](#))



Please note that the connection between the LINE connectors have to be a twisted 2-wire cable.

- ◆ When inserting a RJ-11 plug, make sure the tab on the plug clicks into position to ensure that it is properly seated.
- ◆ **Do not** plug a RJ-11 phone jack connector into the Ethernet port (RJ-45 port). This may damage the bridge. Instead, use only twisted-pair cables with RJ-45 connectors that conform to Ethernet standard.

Notes:

1. Be sure each twisted-pair cable (RJ-45 Ethernet cable) does not exceed 100 meters (333 feet).

2. We recommend use Category 5~7 UTP/STP cables for Cable bridged or Bridge connections to avoid any confusion or inconvenience in the future when you attached to high bandwidth devices.
3. Use **24 ~ 26** gauge twisted pair phone wiring, we do not recommend 28 gauge or above.
4. Be sure the phone cable has been installed before ALL-MC116SPV is powered on.

2.6 VDSL2 bridge Application

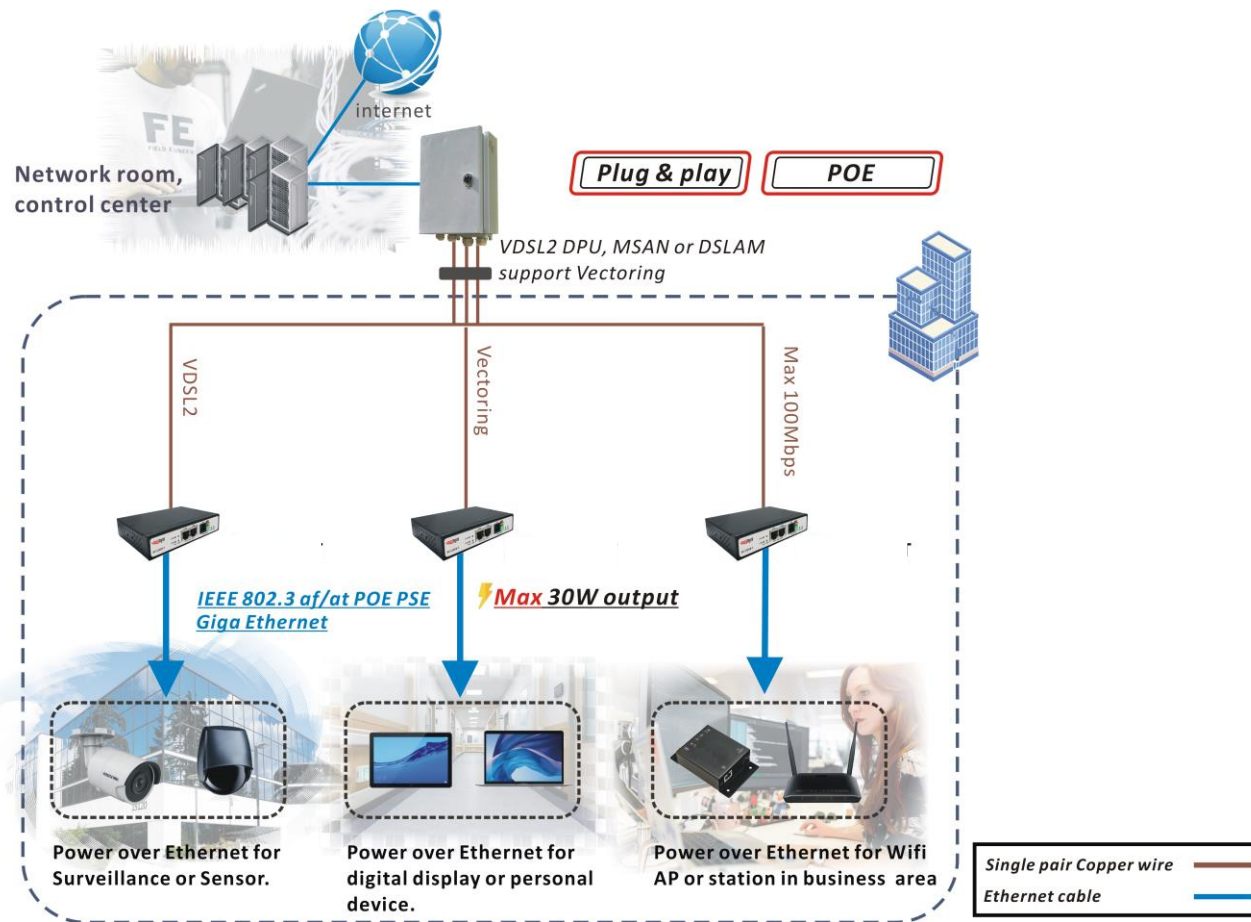


Figure 2.6 IP DSLAM to ALL-MC116SPV application diagram

Chapter 3. Hardware Description

This section describes the important parts of the bridge. It features the front panel and rear panel.

3.1 Front Panel

The front panel provides a simple interface monitoring of the bridged. (Figure 3.1)

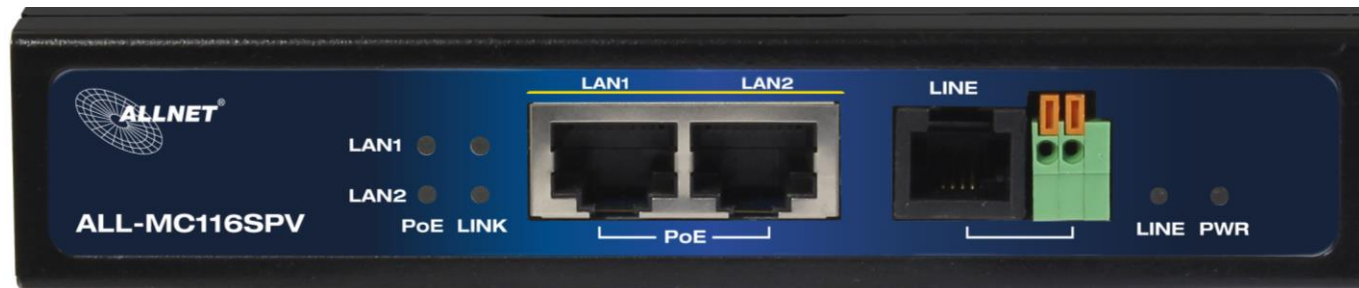


Figure 3.1 Front Panel

Tip:

At a quick glance of the front panel, it is easy to determine if it has Ethernet signal from its RJ-45 port and if there is VDSL line signal on RJ-11 port.

And the table shows the description. (Table 3-1)

Table 3-1 Description of the bridge front connectors

Connectors	Type	Description
LAN1 / LAN2	RJ-45	For connecting to an 10/100/1000Mbps Ethernet equipped device.
Line(combo port)	RJ-11/Terminal Block	For connecting to IPDSLAM /NV-202/NV-500. (Do not use RJ11 and Terminal Block at the same time.)

3.2 Front Indicators

The bridge has **SIX** LED indicators. The following Table shows the description. (Table 3-2)

Table 3-2 LED Indicators Description and Operation

LED	Color	Status	Descriptions
PWR (Power LED)	Green	On(Steady)	Lights to indicate that the VDSL2 bridge had power
		Off	The device is not ready or has malfunctioned.
LAN 1-2 (Ethernet LED)	Green	On(Steady)	The device has a good Ethernet connection.
		Blinking	The device is sending or receiving data.
		Off	The LAN is not connected.
PoE 1-2 (PoE LED)	Green	On(Steady)	The device has a good PoE connection.
		Blinking	The device is detected to a PoE device, but the power supply does not feeding to the PD.
		Off	The device is not connected to a PD device yet.
LINE (VDSL LINK LED)	Green	On(Steady)	The Internet or network connection is up.
		Slow blinking	1. Device has detected a master device and ready to connect. 2. Data transmission
		Fast blinking	Device is on handshaking status
		Off	The Internet or network connection is down or has malfunctioned.

3.3 Rear Panel

The following figure shows the rear panel. (Figure 3.3)



Figure 3.3 Rear Panel

Appendix A: Cable Requirements

A.1 Ethernet Cable

A CAT 3~7 UTP (unshielded twisted pair) cable is typically used to connect the Ethernet device to the Modem. A: 10/100TX cable often consists of four pairs of wires, two of which are used for transmission. The connector at the end of the 10/100TX cable is referred to as a RJ-45 connector and it consists of eight pins. The Ethernet standard uses pins 1, 2, 3 and 6 for data transmission purposes. (Table A-1 10/100TX)

B: 1000TX cable often consists of four pairs of wires, all of which are used for transmission. The connector at the end of the 1000TX cable is referred to as a RJ-45 connector and it consists of eight pins. The Ethernet standard uses pins 1, 2, 3, 4, 5 and 6 for data transmission purposes. (Table A-1 1000TX)

Table A-1 RJ-45 Ethernet Connector Pin Assignments

PIN #	10/100TX		1000TX	
	Signal	Media Dependant interface	Signal	Media Dependant interface-cross
1	TX+	Transmit Data+	BI_DA+	Bi-directional pair A+
2	TX-	Transmit Data-	BI_DA-	Bi-directional pair A-
3	RX+	Receive Data+	BI_DB+	Bi-directional pair B+
4	POE+	+54vdc O/P	BI_DC+	Bi-directional pair C+ w/+54vdc
5	POE+	+54vdc O/P	BI_DC-	Bi-directional pair C- w/+54vdc
6	RX-	Receive Data-	BI_DB-	Bi-directional pair B-
7	POE-	POE Ground	BI_DD+	Bi-directional pair D+ w/ POE GND
8	POE-	POE Ground	BI_DD-	Bi-directional pair D- w/ POE GND

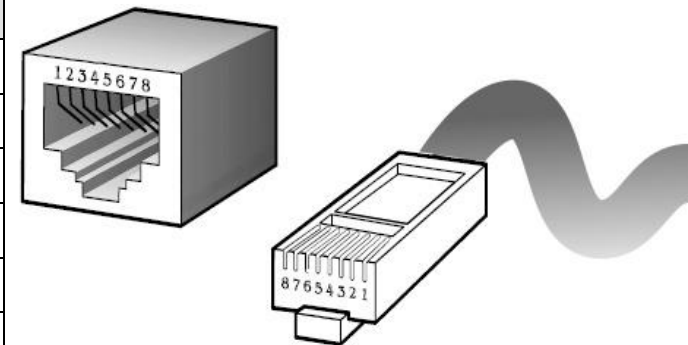


Figure A-1 Standard RJ-45 plug/connector

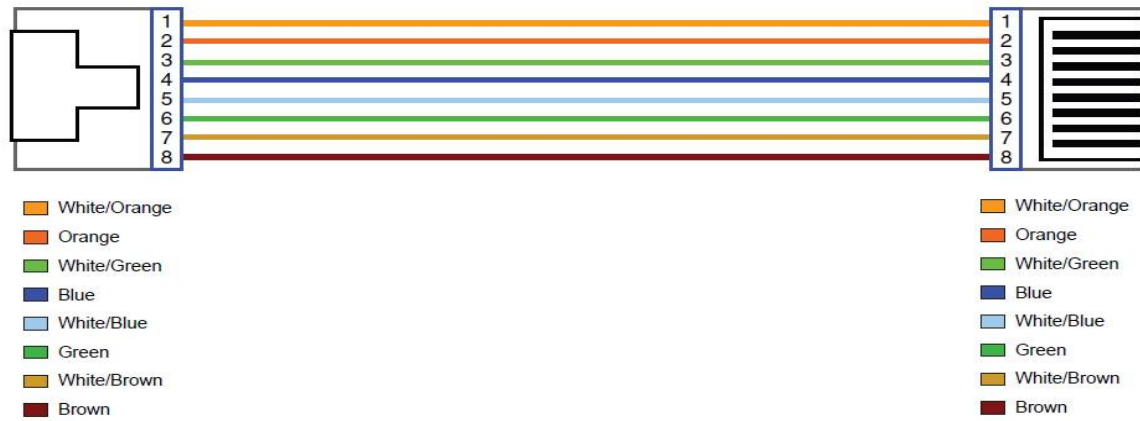


Figure A-2 Pin Assignments and Wiring for an RJ-45 Straight-Through Cable



Figure A-3 Pin Assignments and Wiring for an RJ-45 Crossover Cable

Appendix B: Product Specification

Key Features and Benefits:

- ◆ VDSL2 bridge function to connect two 10/100/1000 Base-T LANs with PoE
- ◆ Supports G.993.5 Vectoring.
- ◆ Supports G.998.4 G.inp
- ◆ Supports auto follow band profile
- ◆ Support UPBO/UDPO
- ◆ Auto-detect IEEE 802.3af/at device
- ◆ Supports Mid-span PoE mode
- ◆ Per POE port up to 30W depending on DC 48v / DC54v power feeding
- ◆ Supports MTU(Jumbo frame) up to 2k bytes
- ◆ Support line port RJ-11 / Terminal block combo
- ◆ Line port built in surge protector
- ◆ Supports DIN-Rail (Option) / Wall-Mounted flexible installation
- ◆ Metal case & Compact in size design, easy installation
- ◆ Plug & Play

Product Specification:

LAN Interface:	Compliant with IEEE802.3 10 Base-T standard Compliant IEEE802.3u 100 Base-T standard Compliant IEEE802.3ab 1000 Base-T standard Compliant IEEE802.3af / at standard Connector : 2 x RJ-45 with PoE MTU : 2k bytes
VDSL2 Interface:	Complies with ITU-T G993.2 /G993.5/G998.4 Connector : RJ-11 / Terminal block combo On-board TDK surge arrester(surge protection)
LED Indicators:	1 x Power LED 2 x Link/Active Status for Ethernet port 2 x PoE Indicator LED 1 x Link LED for VDSL2 line port
Power Adapter:	100-240Vac to 54Vdc switching power adapter
Power Output:	60W Maximum (per POE port 30W)
Temperature:	0°C ~ 50°C (32°F ~ 122°F) (Operating) -20°C ~ 70°C (-4°F ~ 158°F) (Storage)
Humidity:	10% to 90% (non-condensing)
Weight:	About 0.42kg
Dimensions:	137 x 100 x 27 mm (5.39" x 3.94" x 1.06")
Certification:	CE / FCC Class A, RoHS Compliant

Appendix C: DIN-Rail mount installation

This appendix describes how to install the DIN-Rail to the bridged. The accessory is optional.

- ◆ Please refer to install the DIN-RAIL as following step:
 1. Install the DIN-Rail mounting plate to the ALL-MC116SPV. (Figure C-1)
 2. Please use the suitable DIN-Rail to install, please refer to the dimensions of the DIN-Rail.(Figure C-2)
 3. Insert the top of the DIN-Rail into the top slots on the DIN-Rail mounting plate and the DIN-Rail mounting plate will snap into place. (Figure C-3)

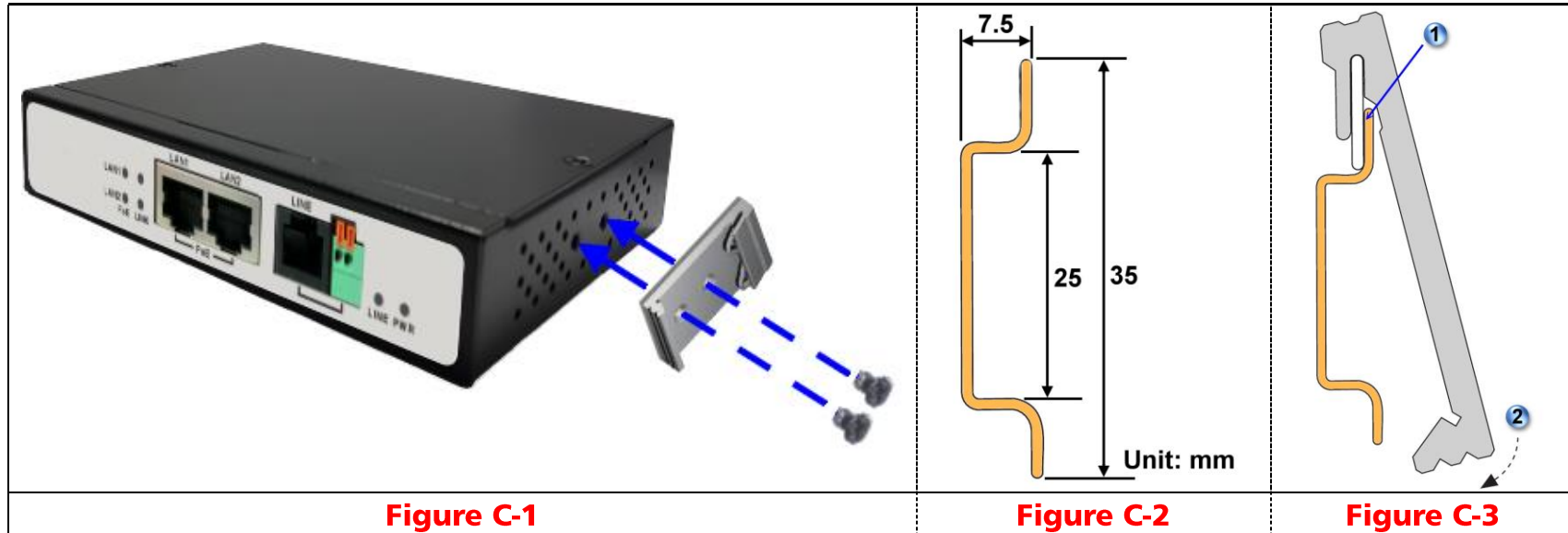


Figure C-1

Figure C-2

Figure C-3

Appendix D: Troubleshooting

Diagnosing the Bridge's Indicators

The bridge can be easily monitored through its comprehensive panel indicators. These indicators assist the network manager in identifying problems the hub may encounter. This section describes common problems you may encounter and possible solutions.

1. Symptom:	POWER indicator does not light up (green) after power on.
Cause:	Defective External power supply
Solution:	Check the power plug by plugging in another that is functioning properly. Check the power cord with another device. If these measures fail to resolve the problem, have the unit power supply replaced by a qualified distributor.

2. Symptom:	Link indicator does not light up (green) after making a connection.
Cause:	Network interface (ex. a network adapter card on the attached device), network cable, or switch port is defective.
Solution:	<ol style="list-style-type: none">2.1 Power off and re-power on the VDSL bridge.2.2 Verify that the bridge and attached device are power on.2.3 Be sure the cable is plugged into both the bridge and corresponding device.2.4 Check if the proper cable type is used and its length exceed specified limits.2.5 Check the bridge on the attached device and cable connections for possible defects.2.6 Make sure the phone wire must be connecting ALL-MC116SPV first, when powered on.2.7 Replace the defective bridge or cable if necessary.

3. Symptom:	VDSL Link cannot be established.
Cause:	VDSL setting failure or phone cable length is over the specification limit.
Solution:	<p>3.1 Please make sure that the phone wire must be connected between NV-202(CO) and ALL-MC116SPV(CPE) when both are power on. IPDSLAM/NV-202 (CO) will do link speed function depending on phone wire length, therefore if IPDSLAM/NV-202(CO) can't detect ALL-MC116SPV(CPE) over phone wire while both power on, this will cause the link to fail.</p> <p>3.2 Please check the phone wire, we recommend use 24 gauge with twisted pair and without rust, and the length is not over 3 km.</p> <p>3.3 Please reinsert power adapter when changing cable length or link time over 3 minutes.</p>
Note:	Phone wire must meet CAT 3 standard or above and without clustering , otherwise will cause more cross talk issue to reduce DSL power driver.

4. Question:	What is VDSL2?
Answer:	<p>Very-high-speed digital subscriber line 2 (VDSL2) is an access technology that exploits the existing infrastructure of copper wires that were originally deployed for traditional telephone service. It can be deployed from central offices, from fiber-optic connected cabinets located near the customer premises, or within buildings. It was defined in standard ITU-T G.993.2 finalized in 2005.</p> <p>VDSL2 was the newest and most advanced standard of digital subscriber line (DSL) broadband wireline communications. Designed to support the wide deployment of triple play services such as voice, video, data, high definition television (HDTV) and interactive gaming, VDSL2 was</p>

intended to enable operators and carriers to gradually, flexibly, and cost-efficiently upgrade existing xDSL infrastructure.

The protocol was standardized in the International Telecommunication Union telecommunications sector (ITU-T) as Recommendation G.993.2. It was announced as finalized on 27 May 2005,[1] and first published on 17 February 2006. Several corrections and amendments were published in 2007 through 2011.

VDSL2 is an enhancement to very-high-bitrate digital subscriber line (VDSL), Recommendation G.993.1. It permits the transmission of asymmetric and symmetric aggregate data rates up to 200 Mbit/s downstream and upstream on twisted pairs using a bandwidth up to 30 MHz.

VDSL2 deteriorates quickly from a theoretical maximum of 250 Mbit/s at source to 100 Mbit/s at 0.5 km (1,600 ft) and 50 Mbit/s at 1 km (3,300 ft), but degrades at a much slower rate from there, and still outperforms VDSL. Starting from 1.6 km (1 mi) its performance is equal to ADSL2+.

ADSL-like long reach performance is one of the key advantages of VDSL2. LR-VDSL2 enabled systems are capable of supporting speeds of around 1–4 Mbit/s (downstream) over distances of 4–5 km (2.5–3 miles), gradually increasing the bit rate up to symmetric 100 Mbit/s as loop-length shortens. This means that VDSL2-based systems, unlike VDSL1 systems, are not limited to short local loops or MTU/MDUs only, but can also be used for medium range applications.

5. Question: What is SNR(Signal-to-Noise)

<p>Answer:</p>	<p>Signal-to-noise ratio (often abbreviated SNR or S/N) is a measure used in science and engineering that compares the level of a desired signal to the level of background noise. It is defined as the ratio of signal power to the noise power. A ratio higher than 1:1 indicates more signal than noise. While SNR is commonly quoted for electrical signals, it can be applied to any form of signal (such as isotope levels in an ice core or biochemical signaling between cells). The ratio is usually measured in decibels(dB)</p> <p>The signal-to-noise ratio, the bandwidth, and the channel capacity of a communication channel are connected by the Shannon–Hartley theorem.</p> <p>In digital communications, the SNR will probably cause a reduction in data speed because of frequent errors that require the source (transmitting) computer or terminal to resend some packets of data. SNR measures the quality of a transmission channel over a network channel. The greater the ratio, the easier it is to identify and subsequently isolate and eliminate the source of noise.</p>
-----------------------	---

<p>6. Question: Connected the Co and CPE within 300 meters RJ-11 phone cable got only less than 10 Mbit/s</p>	
<p>Cause:</p>	<ol style="list-style-type: none"> 1. Some testing program which is base on TCP/IP protocol such as FTP, Iperf, NetIQ, the bandwidth of testing outcome will be limited by TCP window size. 2. Some operating system limited the maximum bandwidth, such as windows series OS.
<p>Solution:</p>	<p>We recommend to test VDSL2 bandwidth best by Smartbit equipment (Packet generator), if you don't have Smartbit, we recommend test that by IPERF program, and TCP window size must be setted max. 64k, the parameter as iperf –c server IP address –i 1 –t 50 –w 65535 for client side.</p>

System Diagnostics

Power and Cooling Problems

If the POWER indicator does not turn on when the power cord is plugged in, you may have a problem with the power outlet, power cord, or internal power supply. However, if the unit power is off after running for a while, check for loose power connections, power losses or surges at the power outlet. If you still cannot isolate the problem, then the internal power supply may be defective. In this case, please contact your local dealer.

Installation

Verify that all system components have been properly installed. If one or more components appear to be malfunctioning (e.g. the power cord or network cabling), test them in an alternate environment where you are sure that all the other components are functioning properly.

Transmission Mode

The default method of selecting the transmission mode for RJ-45 ports is 10/100/1G Mbps ETHERNET, for RJ-11 port are auto-Link VDSL. Therefore, if the Link signal is disrupted (e.g. by unplugging the network cable and plugging it back in again, or by resetting the power), the port will try to reestablish communications with the attached device via auto-negotiation. If auto-negotiation fails, then communications are set to half duplex by default. Based on this type of industry-standard connection policy, if you are using a full-duplex device that does not support auto-negotiation, communications can be easily lost (i.e. reset to the wrong mode) whenever the attached device is reset or experiences a power fluctuation. The best way to resolve this problem is to upgrade these devices to a version that support Ethernet and VDSL.

Physical Configuration

If problems occur after altering the network configuration, restore the original connections, and try to track the

problem down by implementing the new changes, one step at a time. Ensure that cable distances and other physical aspects of the installation do not exceed recommendations.

System Integrity

As a last resort verify the switch integrity with a power-on reset. Turn the power to the switch off and then on several times. If the problem still persists and you have completed all the preceding diagnoses, then contact your dealer.

ALLNET GmbH Computersysteme declares that the device **ALL-MC116SPV** is in compliance with the essential requirements and other relevant provisions of Directive 2014/30/EU. The Declaration of conformity can be found under this link:
<http://ce.allnet.de>

ALLNET GmbH Computersysteme
Maistrasse 2
82110 Germering

Tel.: +49 (0)89 894 222 - 22

Fax: +49 (0)89 894 222 - 33

Email: info@allnet.de



CE Marking is the symbol as shown on the top of this page. The letters "CE" are the abbreviation of French phrase "Conformity European" which literally means "European Conformity". The term initially used was "EC Mark" and it was officially replaced by "CE Marking" in the Directive 93/68/EEC in 1993. "CE Marking" is now used in all EU official documents.



This symbol on the product or on its packaging indicates that this product must not be disposed of with your other household waste. Instead, it is your responsibility to dispose of your waste equipment by handing it over to a designated collection point for the recycling of waste electrical and electronic equipment. The separate collection and recycling of your waste equipment at the time of disposal will help to conserve natural resources and ensure that it is recycled in a manner that protects human health and the environment. For more information about where you can drop off your waste equipment for recycling, please contact your local city office, your household waste disposal service or the shop where you purchased the product.

This recycle logo indicates that this product is capable of being recycled, not that the product has been recycled or will be accepted in all recycling collection systems.



The RoHS directive aims to restrict certain dangerous substances commonly used in electronic and electronic equipment. This [RoHS compliant](#) symbol indicates the component is [tested](#) for the presence of Lead (Pb), Cadmium (Cd), Mercury (Hg), Hexavalent chromium (Hex-Cr), Polybrominated biphenyls (PBB), and Polybrominated diphenyl ethers (PBDE). For Cadmium and Hexavalent chromium, there must be less than 0.01% of the substance by weight at raw homogeneous materials level. For Lead, PBB, and PBDE, there must be no more than 0.1% of the material, when calculated by weight at raw homogeneous materials. Any RoHS compliant component must have 100 ppm or less of mercury and the mercury must not have been intentionally added to the component.



Safety Warnings

For your safety, be sure to read and follow all warning notices and instructions.

- **Do not open the device. Opening or removing the device cover can expose you to dangerous high voltage points or other risks. Only qualified service personnel can service the device. Please contact your vendor for further information.**
- **Do not use your device during a thunderstorm. There may be a risk of electric shock brought about by lightning.**
- **Do not expose your device to dust or corrosive liquids.**
- **Do not use this product near water sources.**
- **Make sure to connect the cables to the correct ports.**
- **Do not obstruct the ventilation slots on the device.**