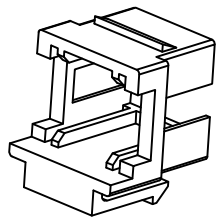
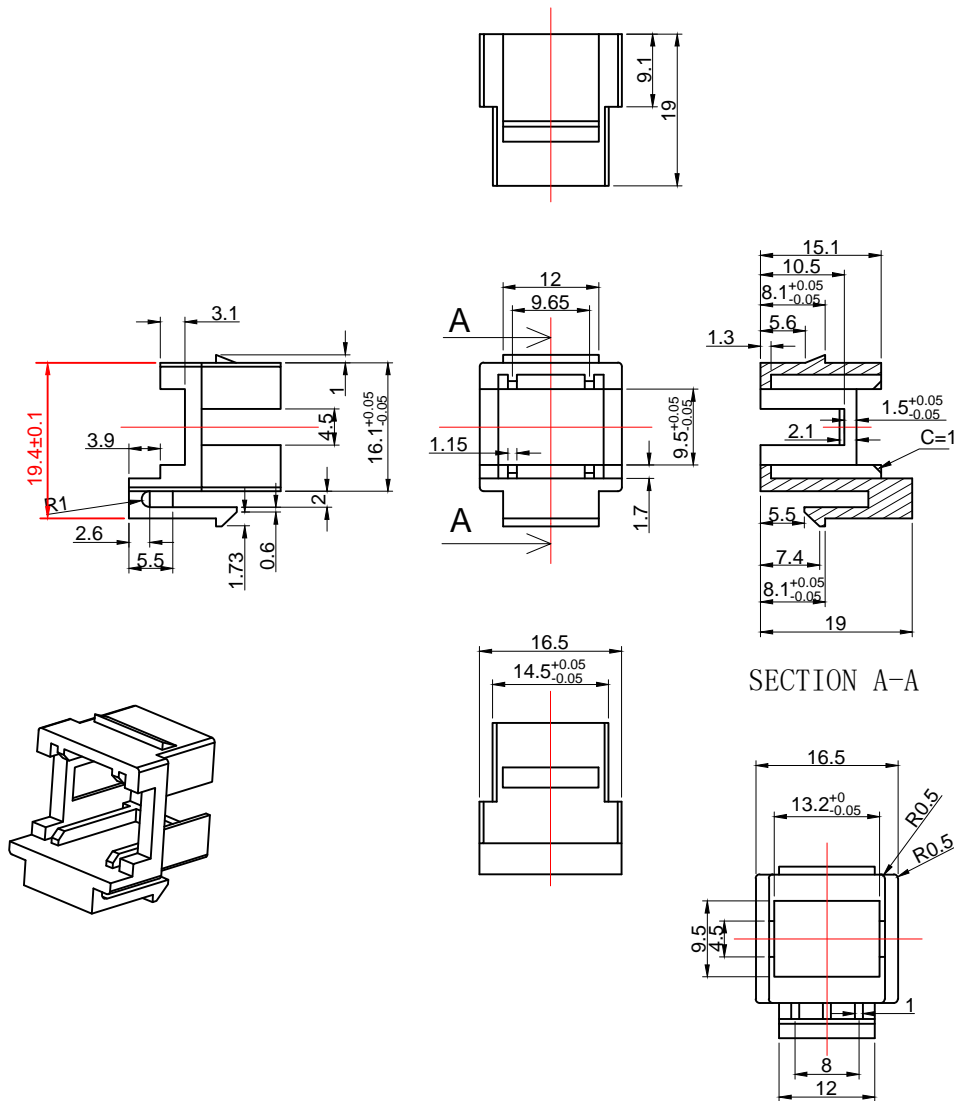


MATERIAL LIST:

- 1. wall box:ABS
- 2. Accessories
cable tie: 2 PCS 2.5*80MM
SCRW: 2PCS ST4*20MM
- 3. Applicable cable diameter:OD 8.2MM Max
- 4. ROHS 2.0 AND REACH COMPLIANT
- 5. Packing:1PC/PE bag+label

SYNERGY 21									
CUSTOMER			ITEM NO.			S216348			
PRODUCT NAME		2 port wall box		manufacture country		CHINA		UNIT	MM
NEW			2018-10-17		A		DRAWNBY		CHECKBY
BY		CHK		REVISION RECORD MODIFICATIONS		DATE		REV.	
						SYNERGY 21		SYNERGY 21	
						SYNERGY 21		2018-10-17	



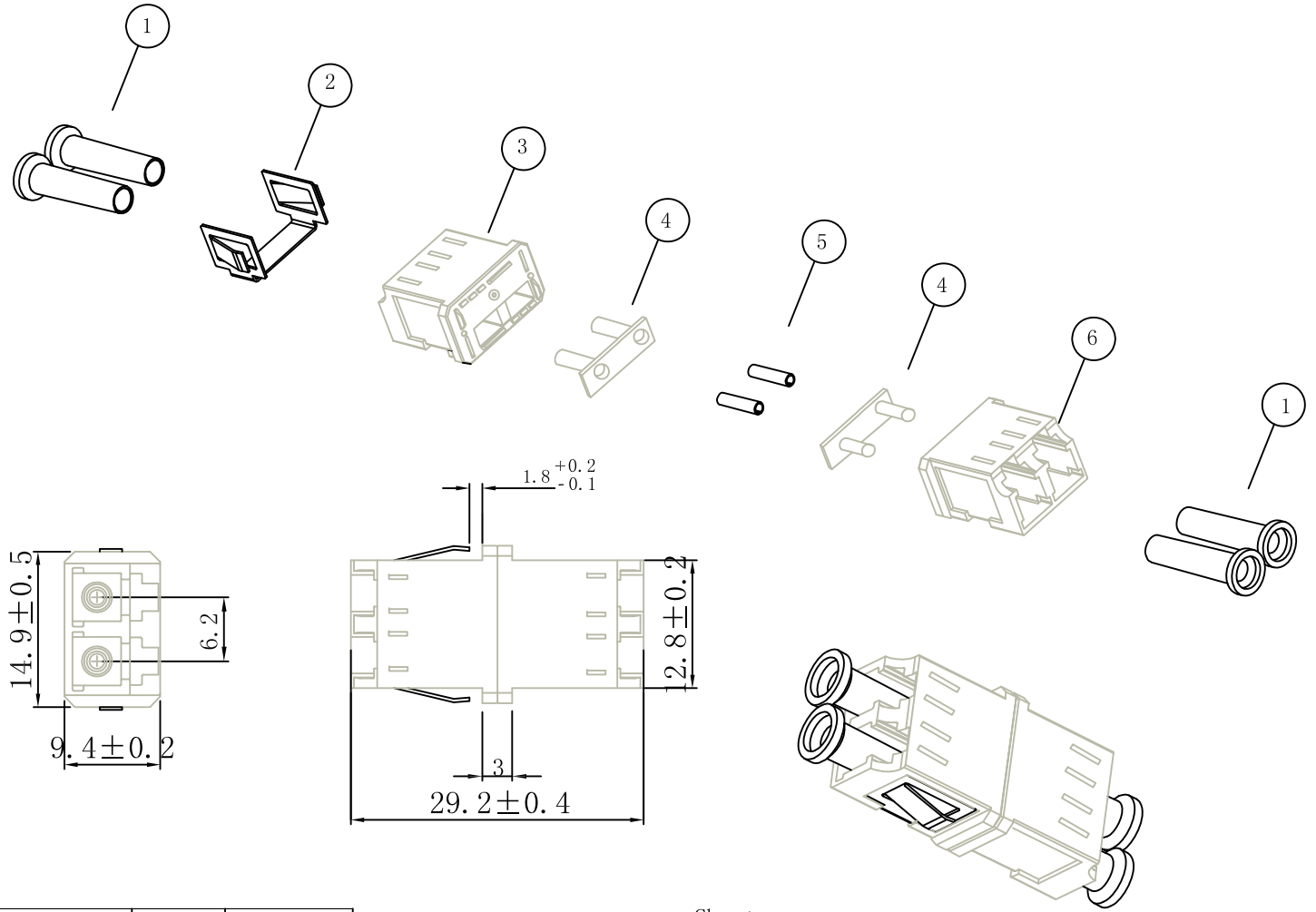
SECTION A-A

NOTES:

1. ABS Black
2. Keystone for LC duplex/SC simplex no flange Adapte
2. Packing: 1pc/PE Bag+Lable
3. ROHS2.0 AND REACH COMPLIANT

SYNERGY 21					
CUSTOMER		ITEM NO.	S215479		
PRODUCT NAME	Keystone adapter	manufacture country:	CHINA	UNIT	MM
DRAWNBY	CHECKBY	APPOBY	DATE		
SYNERGY 21	SYNERGY 21	SYNERGY 21	2017-05-03		

BY	CHK	REVISION RECORD MODIFICATIONS	DATE	REV.
		NEW	2017-05-03	A



NOTE:
RoHS 2.0 & Reach COMPLIANT

Insertion Loss(dB)	≤0.20
Operating Temperature(° C)	-40 ~+80
Storage Temperature(° C)	-40 ~+85

MATERIAL LIST:

⑥	LC beige Body (SC simplex footprint)	1pcs	
⑤	LC Sleeve ceramic(Multi-Mode)	1pcs	
④	Beige bush	2pcs	
③	LC beige Body (SC simplex footprint)	1pcs	
②	LC Metal Mount	1pcs	
①	LC White Dust Cap	4pcs	
NO.	SPECIFICATION STANDARD	QT' Y	REMARK

Chart:

NO.	ITEM NO.	EAN Number
1	S215480	4038816064547

SYNERGY 21															
CUSTOMER				ITEM NO. See the chart			PRODUCT NAME			LC MM beige(ceramic)Duplex Plastic Adapter(SC SX Footprint) w/o flange					
BY		CHK		NEW		2017-4-25		A		manufacture country	CHINA	UNIT	MM		
REVISION RECORD MODIFICATIONS				DATE		REV.		SYNERGY 21		CHECKBY	SYNERGY 21	APPOBY	SYNERGY 21	DATE	2017-4-25