


NOTE:

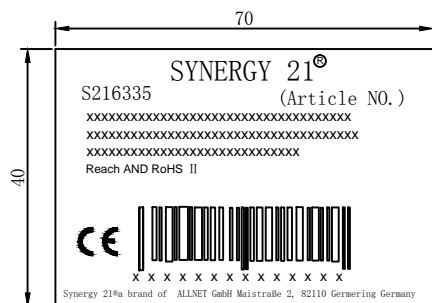
1. PANEL FRAME:SPCC CARBON STEEL T=1.2MM POWDER COATING
 2. PANEL BRACKET SPCC NICKEL PLATING
 3. For UNO ITEM NO. 227232 227631 227222 227121 227621 227641 227221 keystone Jack(Apply to the keystone jack which the width less than 17.4mm)
 4. BODY COLOR: Gray RAL 7035 "1 2 3.....12" Color: black Font : Arial H:4.4MM
 5. Accessory:
 1. Cable Tie(75X1.9mm) *12pcs
 2. expanded screw X 2 Set
- ROHS2.0 AND REACH COMPLIANT

SYNERGY 21[®]

"SYNERGY 2  " for black printing The pantone of Color is black c

"1" for blue printing The pantone of Color is 298C

SYNERGY 21										
					CUSTOMER		ITEM NO.	S216335		
		UPDATE PACKING TYPE	2018-03-20	A1	PRODUCT NAME	Mini 12 ports desktop blank Patch panel Toolless	manufacture country:	CHINA	UNIT	MM
		NEW	2016-01-15	A	DRAWNBY	CHECKBY	APPOBY	DATE		
BY	CHK	REVISION RECORD MODIFICATIONS	DATE	REV.	SYNERGY 21	SYNERGY 21		2018-03-20		



Label 1

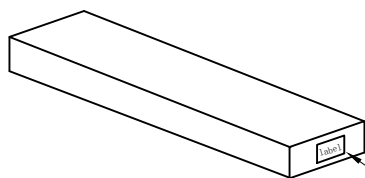
SHIPPING MARK



PO NO. :
REACH and ROHS 2.0 Compliant
MADE IN CHINA

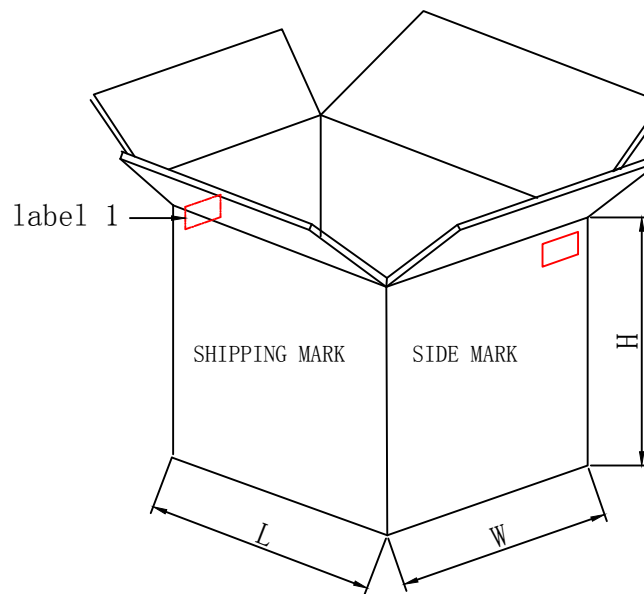
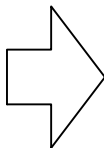
SIDE MARK

PO NO. :
Item no:
Q' TY:
N. W
G. W
Carton no.
MEAS.



label 1

1pcs/box+user guide+label 1



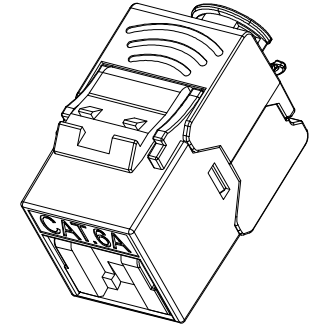
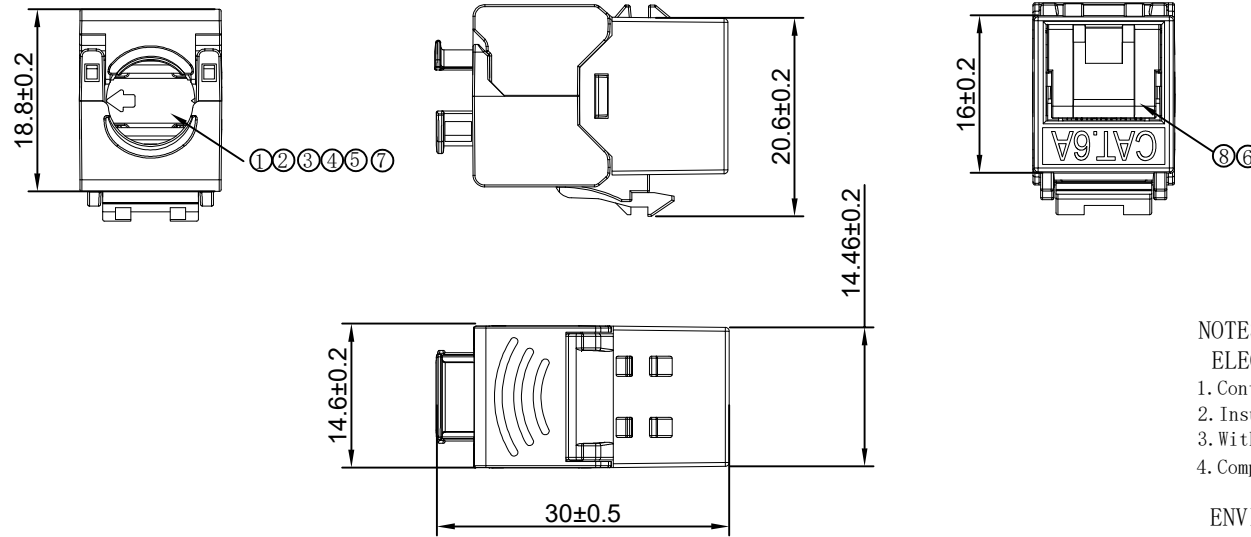
20pcs/Carton+Label 1

NOTE:

1. 1pcs/box+Label 1, 20pcs/Carton+Label 1
2. “工” type sealing
3. “井” type packaging

SYNERGY 21									
CUSTOMER			ITEM NO.			S216335			
PRODUCT NAME		Mini 12 ports desktop blank Patch panel Toolless		manufacture country:		CHINA	UNIT	MM	
DRAWNBY			CHECKBY			APPOBY		DATE	
SYNERGY 21			SYNERGY 21			SYNERGY 21		2018-03-20	

UPDATE PACKING TYPE			2018-03-20		A1					
NEW										
BY	CHK	REVISION RECORD MODIFICATIONS			DATE	REV.	SYNERGY 21	SYNERGY 21	SYNERGY 21	2018-03-20



NOTES:

ELECTRICAL:

- 1.Contact Resistance : 20MΩ MAX
- 2. Insulation Resistance : 500MΩ MIN @ 500V DC
- 3. Withstand Voltage : DC 1000V AC 700V RMS 60Hz, 1MIN
- 4. Compliance with Class EA up to 500 MHz to ISO/IEC 11801 Ed. 2. 2:2011-06
DIN EN 50173-1:2011-09

ENVIRONMENTAL:

- 1.Storage temperature : -40°C T0+70°C
- 2. Operation temperature : -10°C to+60°C

MECHANICAL

- 1. SHIELD MATERIAL: ZINC ALLOY
 - 2. IDC MATERIAL: PC TERMINAL:PHOSPHOR BRONZE, TIN PLATING
 - 3.RJ45 Contact Life: 750 Times Min
 - 4. Plug inforce:<30N
 - 5. Solid cable:1/22AWG(0.65MM)-1/26AWG(0.40MM) ID:1.05MM-1.5MM
 - 6. Cable OD: 5.0mm-8.5mm
 - 7. PoE per IEEE 802.3af,PoE+ per IEEE 802.3at
 - 8. 360° Shield connection
- RoHS 2011/65/EU and amendment directives (EU)
2015/863 compliant;REACH 1907/2006/EC compliant.
PACKING:lpc+copper foil/PE bag+label
Accessories:
Instruction Sheet *lpc/inner box
Cable Tie(75X1.9mm) *1Pc

MATERIAL LIST:

⑧	Dust cap	PC Black	1	
⑦	MODULAR COVER	PC White	1	
⑥	RJ 45 JACK INSERT	PHOSPHOR BRONZE 8P8C GOLD PLATED	8	
⑤	PCB	1.2mm UL 94V0	1	
④	IDC BODY	PC White	1	
③	IDC PIN	PHOSPHOR BRONZE & TINNED	8	
②	LABEL COLOR CODE	T568A/B	2	
①	IDC TERMINAL	FOR 22-26AWG(0.40mm-0.65mm) CABLE	1	

NO.	PARTS NAME	SPECIFICATION STANDARD	QT' Y	REMARK
		NEW	2024-04-16	A
BY	CHK	REVISION RECORD MODIFICATIONS	DATE	REV.

SYNERGY 21					
CUSTOMER	AN		ITEM NO.	S216338V2	
PRODUCT NAME	CAT. 6A STP KEYSTONE JACK	manufacture country:	china	UNIT	MM
DRAWNBY	CHECKBY	APPOBY	DATE		
SYNERGY 21	SYNERGY 21	SYNERGY 21	2024-04-16		