

ALLNET Media Converter Network & PoE over 2 Wire Set AT "ALL

>>> [Go to the shop article](#)



EAN CODE



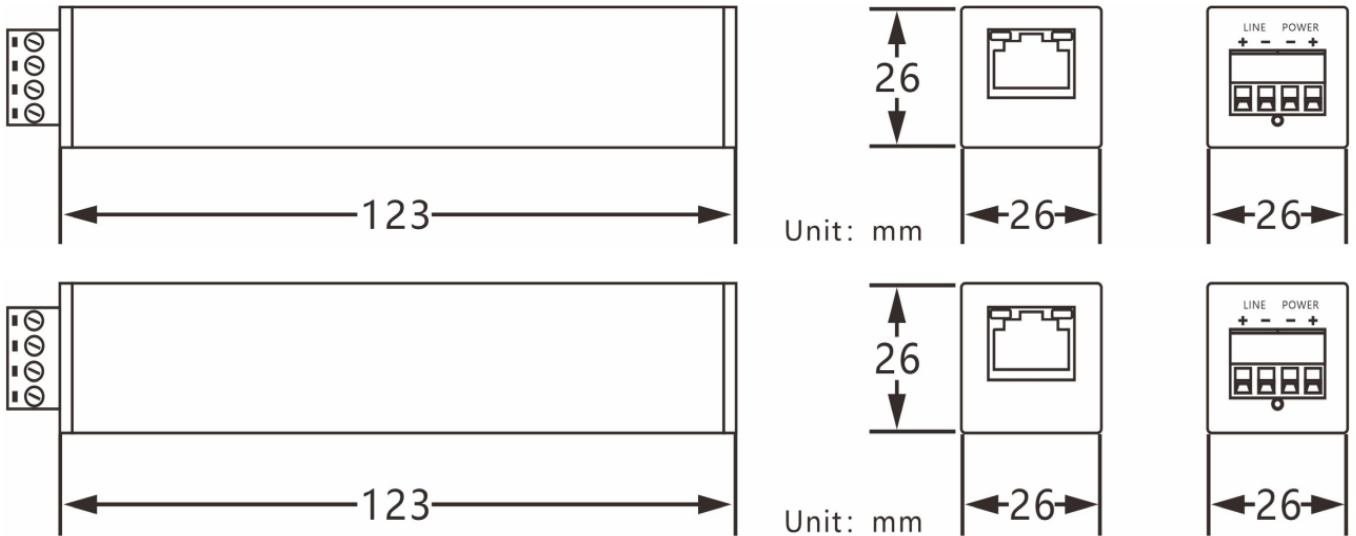
Highlights:

- PoE and power via two-wire
- IEEE802.3af
- Data rate max. 200Mbps
- Maximum distance: 500m via two-wire
- **A 48VDC~57VDC power supply unit is required at the master, which is included in the scope of delivery, for optional power supply units see accessories.**

Overview

The ALL-MC302P2WIRE set offers you the possibility to establish both data and PoE over a 2-wire connection. The max. Cable length can be max. 500m. The master has to be powered with a power supply and feeds both the slave adapter and the PoE end device at the slave with data and power. The set is suitable for upgrading analog systems through an existing cable infrastructure. The compact size of the media converter is perfect to replace old door station with a new IP door station.

Dimension:



Interface Description

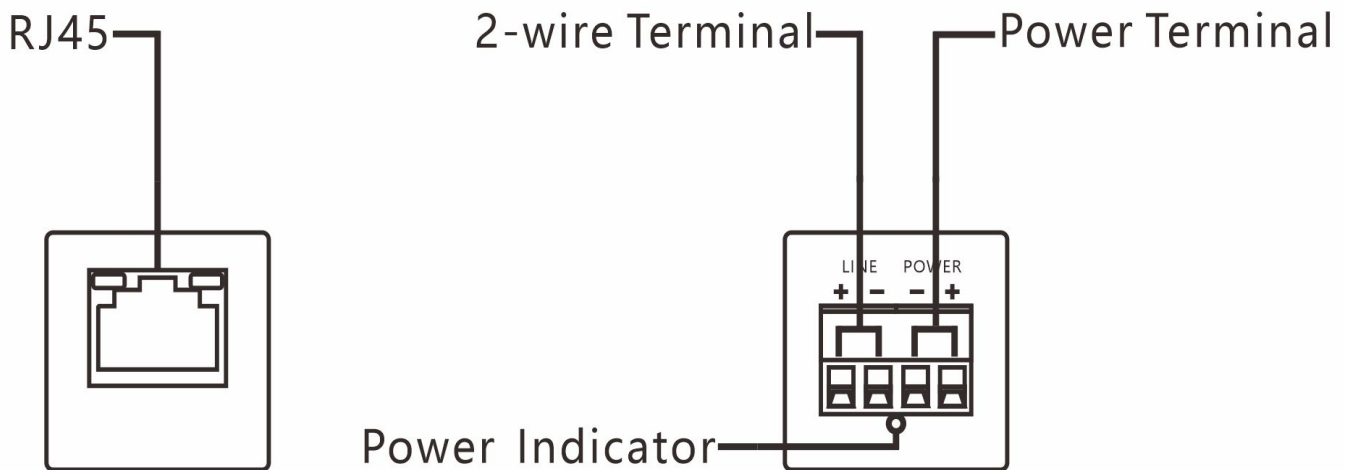
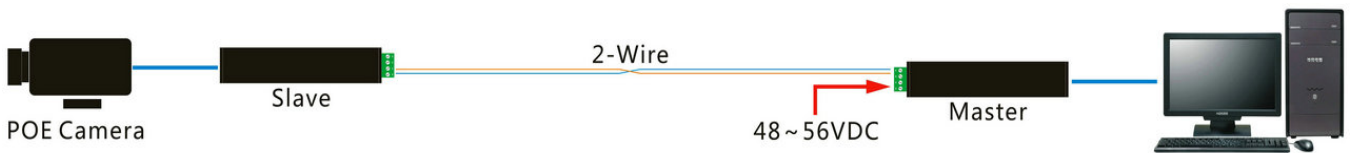


Diagram:



Power, Bandwidth & Distance Table

Receiver <- -> Transmitter	Cable 2x0.75 mm ²	
Receiver power supply type	DC 48-56 (30 W)	DC 48-56 (60 W)



Distance 100 M	Bandwidth (Mbps)	83	83
	PoE (W)	27	27
Distance 200 M	Bandwidth (Mbps)	82	82
	PoE (W)	26.5	27
Distance 300 M	Bandwidth (Mbps)	80	80
	PoE (W)	26.3	27
Distance 400 M	Bandwidth (Mbps)	78.2	78.2
	PoE (W)	22.8	27
Distance 500 M	Bandwidth (Mbps)	76	76
	PoE (W)	18.2	26.5
Receiver <- -> Transmitter		Coaxial cable	
Receiver power supply type		DC 48-56 (30 W)	DC 48-56 (60 W)
Distance 100 M	Bandwidth (Mbps)	84.2	84.2
	PoE (W)	26.6	27
Distance 200 M	Bandwidth (Mbps)	83.4	83.4
	PoE (W)	26.2	27
Distance 300 M	Bandwidth (Mbps)	82	82
	PoE (W)	26	27
Distance 400 M	Bandwidth (Mbps)	80	80
	PoE (W)	22.2	27
Distance 500 M	Bandwidth (Mbps)	79	79
	PoE (W)	17.8	26

Note:

The actual data speed and PoE performance can vary by the environmental conditions and the cable qualities.

Technical Details:

Ethernet	
Netzwerk Standards	IEEE 802.3 10BaseT IEEE 802.3u 100BaseTX



	IEEE 802.3af Power over Ethernet PoE IEEE 802.3at Power over Ethernet PoE IEEE1901 PLC
Up down Agreement	CSMA/CA
Transmission / Rate	500Mbps Physical Bandwidth 88Mbps Transmission Speed
Cabling	Cat5 or above
Maximum Distance	100m
Connector	1x RJ45
Twisted Pair	
Cabling	Twisted pair
Connector	2-pin terminal block
Distance	up to 500m@24AWG
Datarate Downlink	Up to 500Mbps
Datarate Uplink	Up to 500Mbps
Technology	Powerline Communication (PLC)
Electric and Mechanical	
Input Power	48-57VDC (Terminal Block)
Power Consumption	?3.5W / PC
PoE Standard	IEEE802.3af
Output Power	Standard 48VDC; IEEE802.3af
Port	RJ45
Dimmension (W x D x H)	123mm x 26mm x 26mm
Weight	0,25kg
Casing	Aluminium Case
Environmental	
Operating Temperature	-20°C to 60°C
Relative Humidity	<95% (Non-condensation)

Accessories

Part No.	Name
134034	ALLNET ALL-B100-24VDC / Power-Booster 24VDC to 48~55VDC 90W
140523	Mean Well power supply - 48V 75W DIN rail, narrow



Part No.: 195451
Vendor Part No.: ALL-MC302P2WIRE-Set

Part No.	Name
140522	Mean Well power supply - 48V 120W DIN rail, narrow
146994	Mean Well Power Supply - 48V 480W DIN Rail
119067	ALLNET Ersatznetzteil 55V/2A für z.B. ALL048900 oder andere PoE Endgeräte
115128	ALLNET / ALL95101 TP Cat 6 / ADSL / VDSL / ISDN Surge protec
208856	ALLNET Medien Konverter Netzwerk & PoE over 2 Wire zbh. Grüne Netzteil-Ersatzstecker 2 Stück/2pcs

[Click here to discover more items from this category in our shop.](#)