

ALLNET ALL16881 / Powerline Phasenkoppler/Signalbrücke 3 Pha

>>> [Go to the shop article](#)



EAN CODE



Powerline Phase Coupler for Power Line networks for installation in the fuse box (DIN-Rail)

Highlights:

ALL16881PC AC 250 / 440 V 50/60Hz

Multiple Phases

phase coupler for multiple Phases "Coupling to other

PLC networks"

DIN-Rail installation

Frequency range 1-70 MHz

Suitable for PLC Signal coupling over circuit breaker

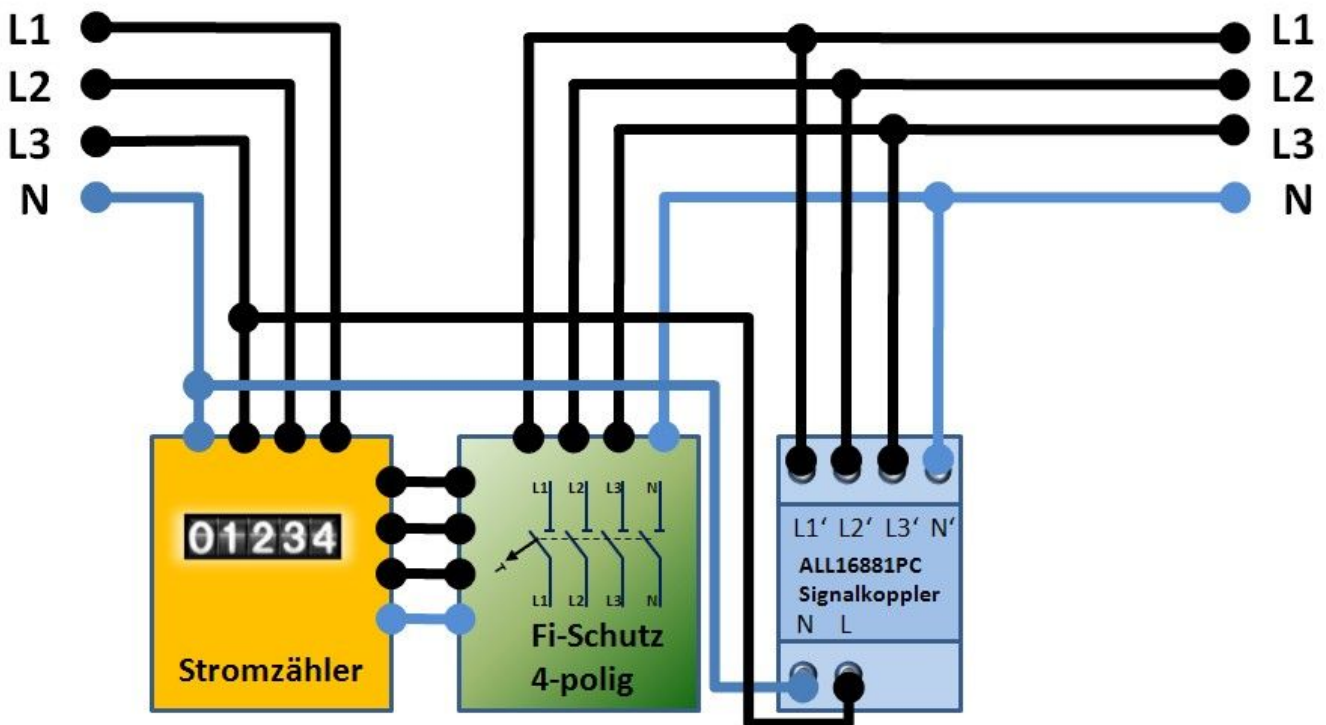
and multiple electric meters

CE-proved

Combines all phases of the home power network with each other and makes the Powerline signal to electrical power sockets in a circuit available. About the fourth LX-phase cross-connections can be implemented to other

circuits when electricity meter, earth leakage (GFCI), circuit breakers and similar obstacles for power line communications must be overcome.

Circuit diagram for electrician: See manual for more details. 2 application examples are listed in the manual. For further application examples please contact our support support@allnet.de.



Technical Details:

Frequency Range:	0-70Mhz
Nominal Voltage:	AC 250/440V 4x22nFX2, 3 phase
Temperature Range:	-25°C - 100°C
Installation width:	34mm
Installation depth:	70mm max.
Mounting:	DIN rail mounting
Mark:	CE