

## ALLNET ALL1688PC / Powerline phase coupler 3 phases (1~70MHz)

>>> [Go to the shop article](#)



### EAN CODE



**Phase coupler for power line networks for installation in the fuse box (top-hat rail).**

### Highlights:

- 3-phase version
- Frequency range 1-70 MHz
- AC 250 / 440 V, 4 x 22nFX2, 3-phase
- CE approved
- installation width: 34mm
- Installation depth: 70mm max.

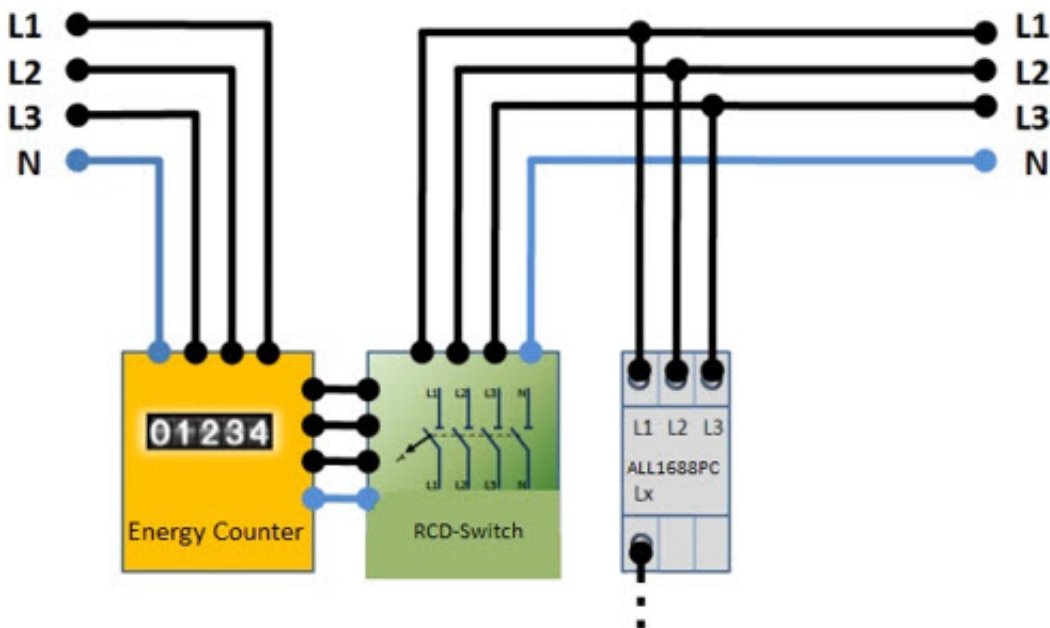
Interconnects all phases/Phase coupler of the home power system and makes the powerline signal available on all outlets in a circuit.

For coupling between sub-distribution boards or across RCDs and electricity meters, only ALL16881PC (Art. 112411) may be used!

**Attention. This article must only be installed by authorised and qualified persons.**

## Installation

Successful use of the phase coupler requires proper installation, operation and maintenance. The device must be installed behind the energy-counter and RCD-switches as shown in the following picture:



### Technical Details:

Frequency Range:	0-70Mhz
Nominal Voltage:	AC 250/440V 4x22nFX2, 3 phase
Temperature Range:	-25°C - 100°C
Installation width:	34mm
Installation depth:	70mm max.
Mounting:	DIN rail mounting
Mark:	CE



Part No.: 90246  
Vendor Part No.: ALL1688PC

## Accessories

Part No.	Name
65447	ALLNET Powerline reject-filter 2,0 - 40Mhz 16A
65448	ALLNET Powerline reject-filter 2.0 - 40 Mhz 25A
112411	ALLNET ALL16881 / Powerline Phasenkoppler/Signalbrücke 3 Pha
137500	ALLNET ALL1681211 / 1200Mbit HomePlugAV2 MIMO mit WiFi AC
139669	ALLNET ALL1681203 / 1200Mbit HomePlugAV2 PoE IEEE802.3at
165177	ALLNET Powerline Blocking Filter 2-68Mhz 16 A Ground Contact