



## USER MANUAL

# ALL-SGI8003P-2.5G

Industrial unmanaged 3-Port 2.5 Gigabit Switch with PoE



Part No.: 205738

# Product Overview

## Product Description

The ALL-SGI8003P-2.5G is a full gigabit industrial Ethernet fiber switch, It is designed to meet industrial fields and systems and can operate stably for a long time in harsh environments. ALL-SGI8003P-2.5G has 1\*10/100/1000M/2.5G adaptive RJ45 ports and 2\*1000M/2.5G SFP fiber slot ports, all of which support full line rate forwarding.

The ALL-SGI8003P-2.5G industrial Ethernet switch has excellent industrial field environment adaptability (including mechanical stability, climate adaptability, electromagnetic environment adaptability, etc.), protection level up to IP40, support for dual redundant power supply, low power consumption and no fan Cooling technology, MTBF-average trouble-free working time up to 87kh, non-management model, plug and play, no configuration, easy to use. It is suitable for industrial environment such as intelligent transportation, rail transit, , metallurgy and green energy construction to form a cost-effective and stable communication network.

## Feature

- All series support "gigabit Ethernet port and SFP fiber port" combination, high-speed and high- bandwidth connection to meet network requirements of various industrial scenarios.
- Support non-blocking wire speed forwarding
- Support full duplex based on IEEE802.3x and half duplex based on backpressure.
- The host has low power consumption, no fan mute design, aluminum alloy metal shell, excellent heat dissipation, and ensure stable operation of products.
- The equipment fully meets the requirements of CCC, CE, FCC and RoHS safety regulations, and is safe and reliable.
- The user can easily understand the working status of the device through the power indicator (PWR), port status indicator (Link) operation indicator.

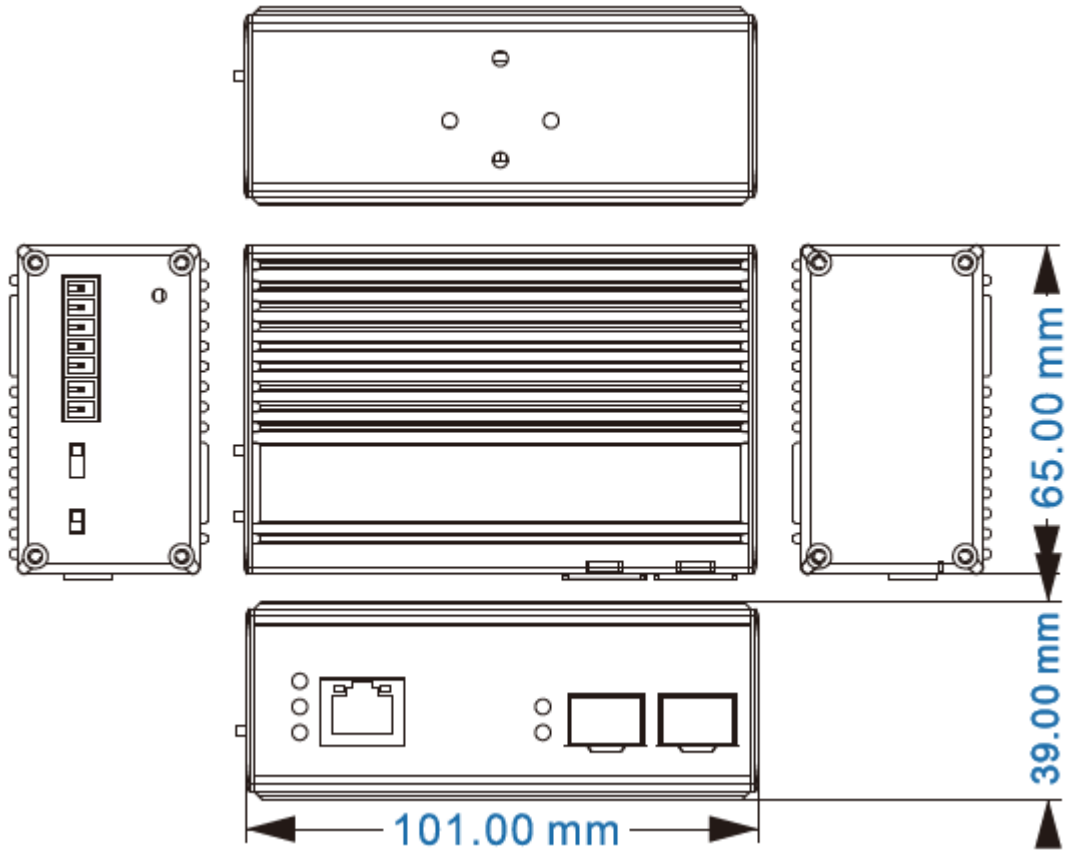
## Packing List

Please kindly check the following items:

1 x Industry Ethernet switch

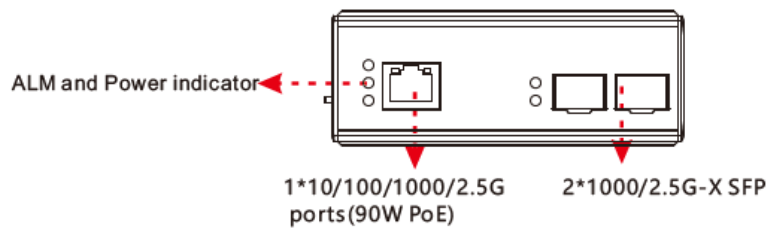
1 x User guide

# Technical Structure

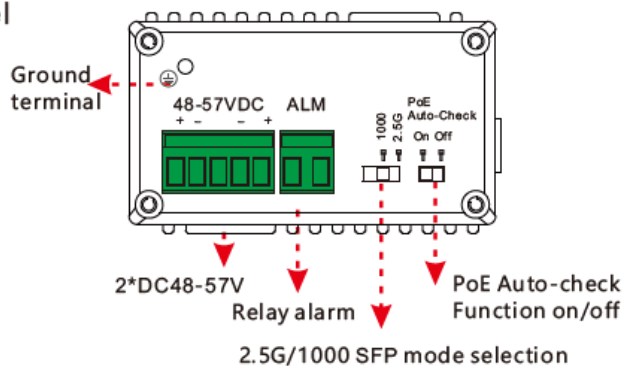


# Panel Description

## ● Front panel



## ● Left panel



- ▲ **Attention 1:** This product must be well grounded against lightning, please use better than 20# cable to connect the grounding terminal and ground.
- ▲ **Attention 2:** 2~3 SFP ports 2.5G/1000 working mode: selected by dip switch to 2.5GM or 1000M.
- ▲ **Attention 3:** POE Auto-check: PoE Auto-check function is open/ closed by dip switch. The switch always auto detect 1 ports whether frozen, if some ports are frozen, the switch will restart them, but other ports are unaffected.

# Installation Guide

Installation (Please install to the supported devices) Please confirm the following things before installation:

1. If the RJ45 port meets the power requirement of the connecting devices.
2. If the port standard requirement and power supply matches with the power receiving device (1/2+, 3/6-(End-span), 4/5+, 7/8-(Mid-span))
3. If the output power of the matched power adapter is compatible with the specification in the label of the switch

Please install the switch according to the following steps:

1. Put the switch on the surface of a large and stable table, or professional installation rack mount
2. Connect Positive, Minus and earth terminals as indicators on the power adapter.
3. Connect the Network devices to the switch port through network cable.

### **NOTE**

1. Please don't put heavy products on the switch, and please ensure good ventilation environment for the switch.
2. Please cut off the power first before plugging the power adapter.

### **POWER**

Connect the power cable, plug it into power socket, turn on the power, then the switch will automatically initialize, and LED lights status will display as following:

1. Except the RJ45 port lights, all the other lights will go through the process of "on-off-on-off", which means the system restoration is successful.
2. Power LED remains lit.

**Note** If initialization is inconsistent with the above, please check the power.

ALLNET GmbH Computersysteme declares that the device **ALL-SGI8003P-2.5G** is in compliance with the essential requirements and other relevant provisions of Directive 2014/30/EU. The Declaration of conformity can be found under this link:  
<http://ce.allnet.de>

ALLNET GmbH Computersysteme  
Maistrasse 2  
82110 Germering

Tel.: +49 (0)89 894 222 - 22  
Fax: +49 (0)89 894 222 - 33  
Email: [info@allnet.de](mailto:info@allnet.de)



CE Marking is the symbol as shown on the top of this page. The letters "CE" are the abbreviation of French phrase "Conformity European" which literally means "European Conformity". The term initially used was "EC Mark" and it was officially replaced by "CE Marking" in the Directive 93/68/EEC in 1993. "CE Marking" is now used in all EU official documents.



This symbol on the product or on its packaging indicates that this product must not be disposed of with your other household waste. Instead, it is your responsibility to dispose of your waste equipment by handing it over to a designated collection point for the recycling of waste electrical and electronic equipment. The separate collection and recycling of your waste equipment at the time of disposal will help to conserve natural resources and ensure that it is recycled in a manner that protects human health and the environment. For more information about where you can drop off your waste equipment for recycling, please contact your local city office, your household waste disposal service or the shop where you purchased the product.

This recycle logo indicates that this product is capable of being recycled, not that the product has been recycled or will be accepted in all recycling collection systems.



The RoHS directive aims to restrict certain dangerous substances commonly used in electronic and electronic equipment. This [RoHS compliant](#) symbol indicates the component is [tested](#) for the presence of Lead (Pb), Cadmium (Cd), Mercury (Hg), Hexavalent chromium (Hex-Cr), Polybrominated biphenyls (PBB), and Polybrominated diphenyl ethers (PBDE). For Cadmium and Hexavalent chromium, there must be less than 0.01% of the substance by weight at raw homogeneous materials level. For Lead, PBB, and PBDE, there must be no more than 0.1% of the material, when calculated by weight at raw

homogeneous materials. Any RoHS compliant component must have 100 ppm or less of mercury and the mercury must not have been intentionally added to the component.



## Safety Warnings

For your safety, be sure to read and follow all warning notices and instructions.

- Do not open the device. Opening or removing the device cover can expose you to dangerous high voltage points or other risks. Only qualified service personnel can service the device. Please contact your vendor for further information.
- Do not use your device during a thunderstorm. There may be a risk of electric shock brought about by lightning.
- Do not expose your device to dust or corrosive liquids.
- Do not use this product near water sources.
- Make sure to connect the cables to the correct ports.
- Do not obstruct the ventilation slots on the device.