

Datenblatt Art. 911.9130

Data sheet | Fiche technique | Scheda tecnica | Fișa tehnică

CONI Holder

Weitere Produkteigenschaften

Further product attributes

Einbautiefe

zusätzlich ca. 20mm

Mounting depthadditional approx.
20mm**Material**

Rahmen:

Stahlblech, gepulvert, schwarz ähnlich RAL
9005**Material**

Frame:

Steel sheet, powdered, black similar to RAL
9005**Lieferumfang**1x CONI Holder Large
2x Kunststoffnieten**Scope of delivery**1x CONi Holder large
2x Plastic rivets

Im Polybeutel

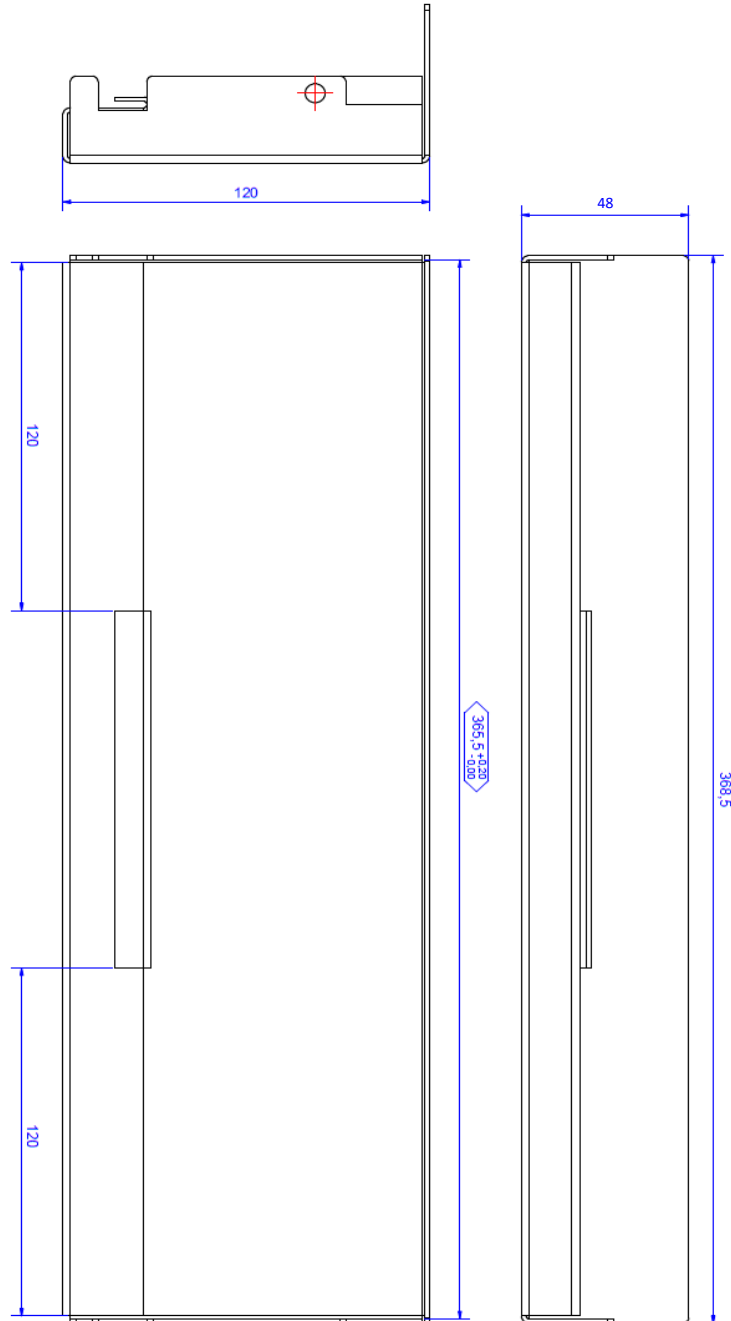
Packed in polybag

Optionales Zubehör

CONI Einbaurahmen

Optional accessories

CONI



DE Montageanleitung

ES Instrucciones de montaje

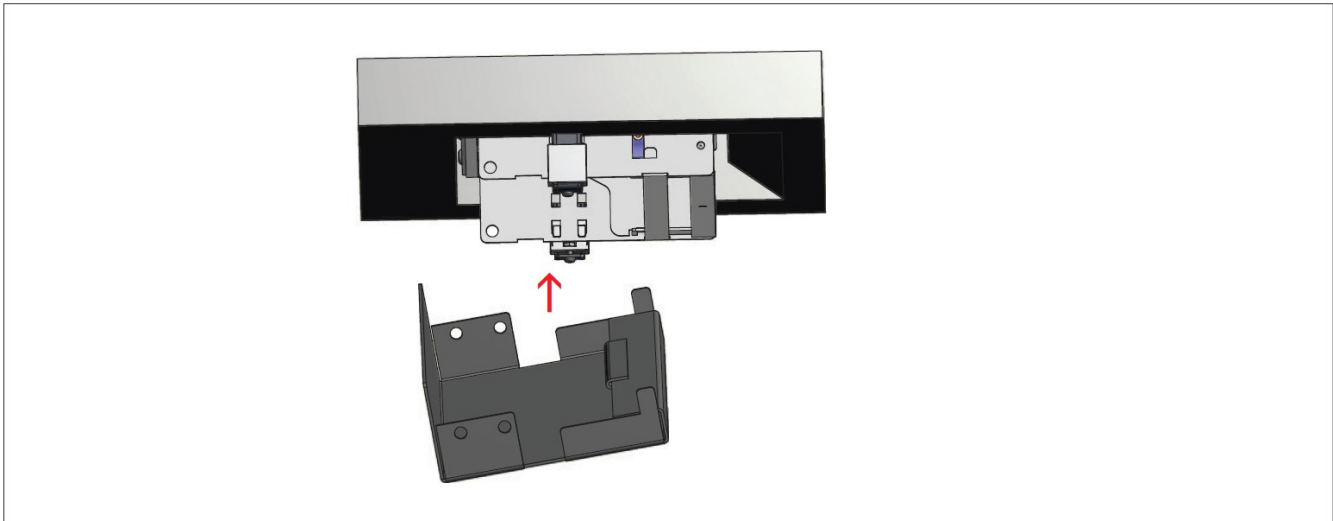
EN Mounting instructions

RO Instrucțiuni de montare

FR Instructions de montage

IT Istruzioni per l'installazione

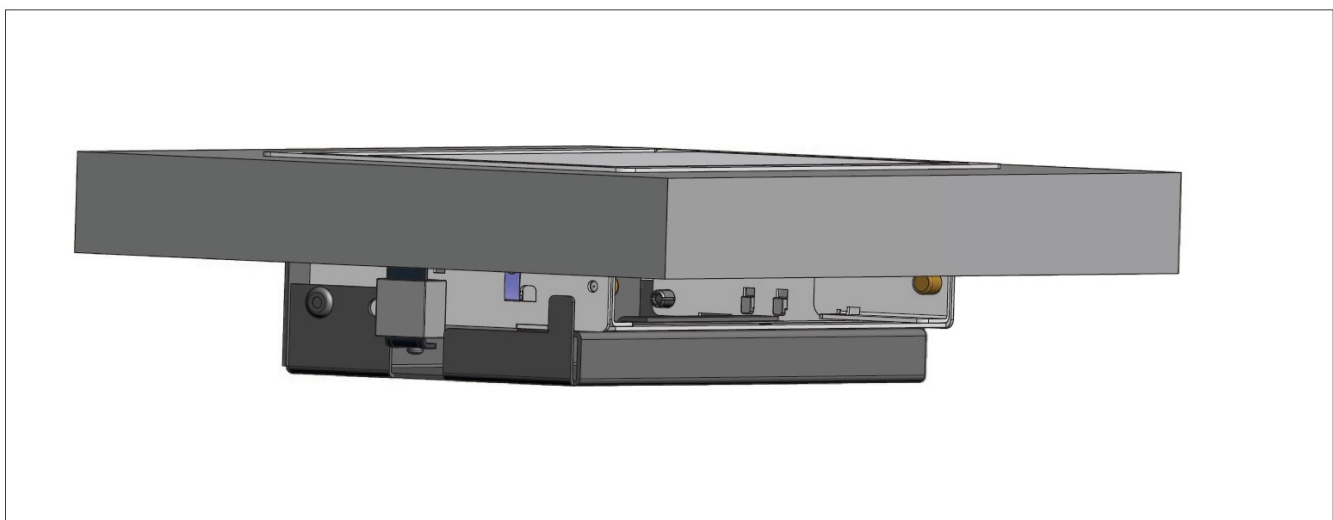
1

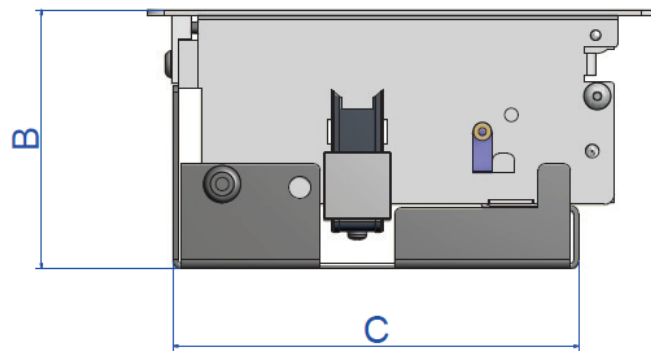


2



3





	A	B	C
S	231,2mm	76,5mm	120mm
M	273,7mm	76,5mm	120mm
M-L	316,2mm	76,5mm	120mm
L	369,7mm	76,5mm	120mm