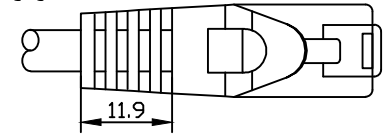
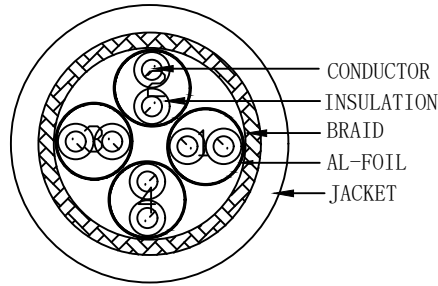
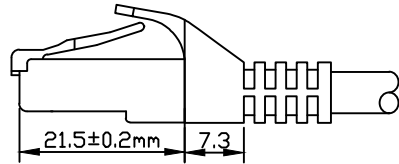


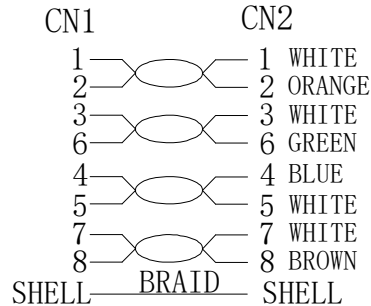
CAT6A/Class Ea S/FTP with cat.7 raw cable 600MHz 4x2x26AWG/7 TPE-LSZH ISO/IEC11801 & EN50173 & ANSI/TIA568.2-D www.Synergy21.de CE



The following are examples of situations where this cable is not suitable :

- Do not use it when immersed in water for a long time.
- Do not use it underground or in pipes.
- Do not use it at temperatures above  $75^{\circ}C$  or below  $-40^{\circ}C$ .
- Do not use it in situations where frequent bending and movement are required.
- Do not use it be hung horizontally.

WIRING DIAGRAM



NOTE:

1. ELECTRICAL TEST:100% OPEN SHORT, MISS WIRE TEST
2. FLUKE Channel LINK TEST:TEST LIMIT:ISO11801 Channel Class EA
3. Operating Temperature: $-40 \sim +75^{\circ}C$
4. Storage temperature: $-40 \sim +75^{\circ}C$
5. RoHS3.0 AND REACH compliant
6. Low Smoke (IEC 61034)
7. Flame retardant (IEC60332-1)
8. Halogen free (IEC 60754-1/2)
9. Oil resistant (IEC 60811-404)
10. Acid-proof alkaline (IEC 60811-404)
11. UV resistant (EC 50289-4-17)
12. Low-temperature impact (EN 60811-506)
13. Water absorMIEC 60811-402)
14. Hydrolysis resistant (IEC 60811-2-1)
15. Packing:Synergy21 PE Bag+Test report+Label

MATERIAL LIST

③	OVER MOLD	75A PVC	2	
②	CONNECTOR	RJ45 8P8C Shielded Plug, Pin Gold Plated 3u" Shell Nickel plating COLOUR: Transparence Yellow	2	
①	CABLE	S/FTP CAT. 7 26AWG (BC*1P+AL-FOLL)*4PAIRS+BRAID (AL-MG) JACKET:TPE-LSZH OD:6.0±0.2mm	1	

NO.	PARTS NAME	SPECIFICATION STANDARD	QT' Y	REMARK
		NEW	2023-08-14	A
BY	CHK	REVISION RECORD MODIFICATION	DATE	REV.

SYNERGY 21				
CUSTOMER	ITEM NO.	manufacture country:	CHINA	UNIT MM
PRODUCT NAME	CAT. 6A S/FTP PATCH CORD			
DRAWN BY	CHECK BY	APPO BY	DATE	
SYNERGY 21	SYNERGY 21	SYNERGY 21	2023-08-14	

