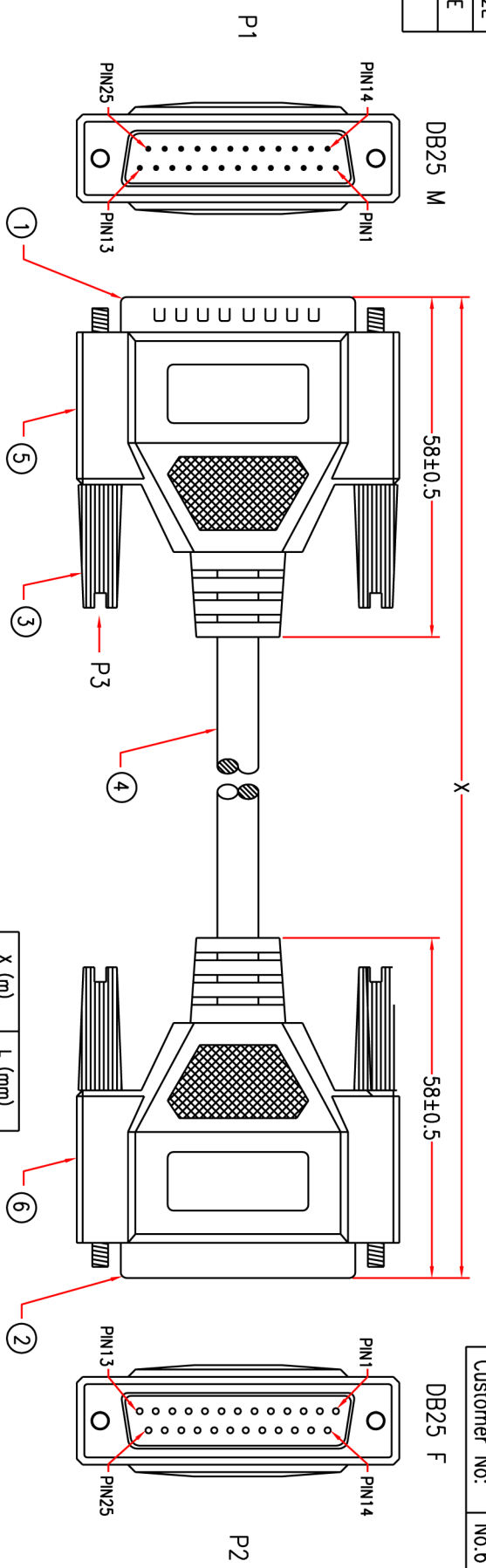


P1,P2:	M-Y222E
	M-222E
P3:	M-426E

Customer No.: No.6



X (m)	L (mm)
1	1000
2	2000
3	3000
5	5000
7	7000
10	10000

P1	P2	P1	P2
1	BROWN	14	BROWN/BLACK
2	RED	15	RED/BLACK
3	ORANGE	16	ORANGE/BLACK
4	PINK	17	PINK/BLACK
5	YELLOW	18	YELLOW/BLACK
6	GREEN	19	GREEN/BLACK
7	LIGHT GREEN	20	LIGHT GREEN/BLACK
8	BLUE	21	BLUE/BLACK
9	LIGHT BLUE	22	LIGHT BLUE/BLACK
10	PURPLE	23	PURPLE/BLACK
11	GREY	24	GREY/BLACK
12	WHITE	25	WHITE/BLACK
13	BLACK	SHIELD	SHIELD

2006

5&6	BLACK PVC TUBE ϕ 3.0*30mm	2	M304
	ALUMINUM FOIL 33*110mm	2	M379
	MOLDED PE COLOR TRANSPARENT		TWN
	MOLDED PVC BEIGE		M304
4	NON-UL 25C 28AWG, ALUM-MYLAR FOIL SHIELDING WITH DRAIN WIRE, OD 7.0mm, JACKET BEIGE, DRAWING NO. EMAL2825C-095	L	M304
3	MOLDED THUMBSCREW #4-40, LENGTH 46.5mm, BEIGE	4	M95
2	DB25 FEMALE, GOLD FLASH ON CONTACTS, WHITE INSULATOR	1	M83
1	DB25 MALE, GOLD FLASH ON CONTACTS, WHITE INSULATOR	1	M83
No.	DESCRIPTION	Q'TY	Supplier
PART NO. 2006-XM		Revision:	
APPROVED		Cable Length Spec. Unless Other Spec. Tolerances:	
CHECKED	TIAN	0 ~200mm	±10mm
DRAWING	SUSAN	201~1000mm	±20mm
DATE	29/JUN/05	1001 ~1500mm	±25mm
ITEM NO.		1501 ~2100mm	±30mm
		2100mm↑	±40mm
EK165.X		UNIT:mm	

CHECKED