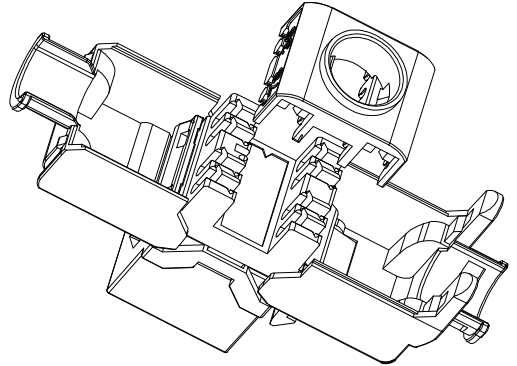
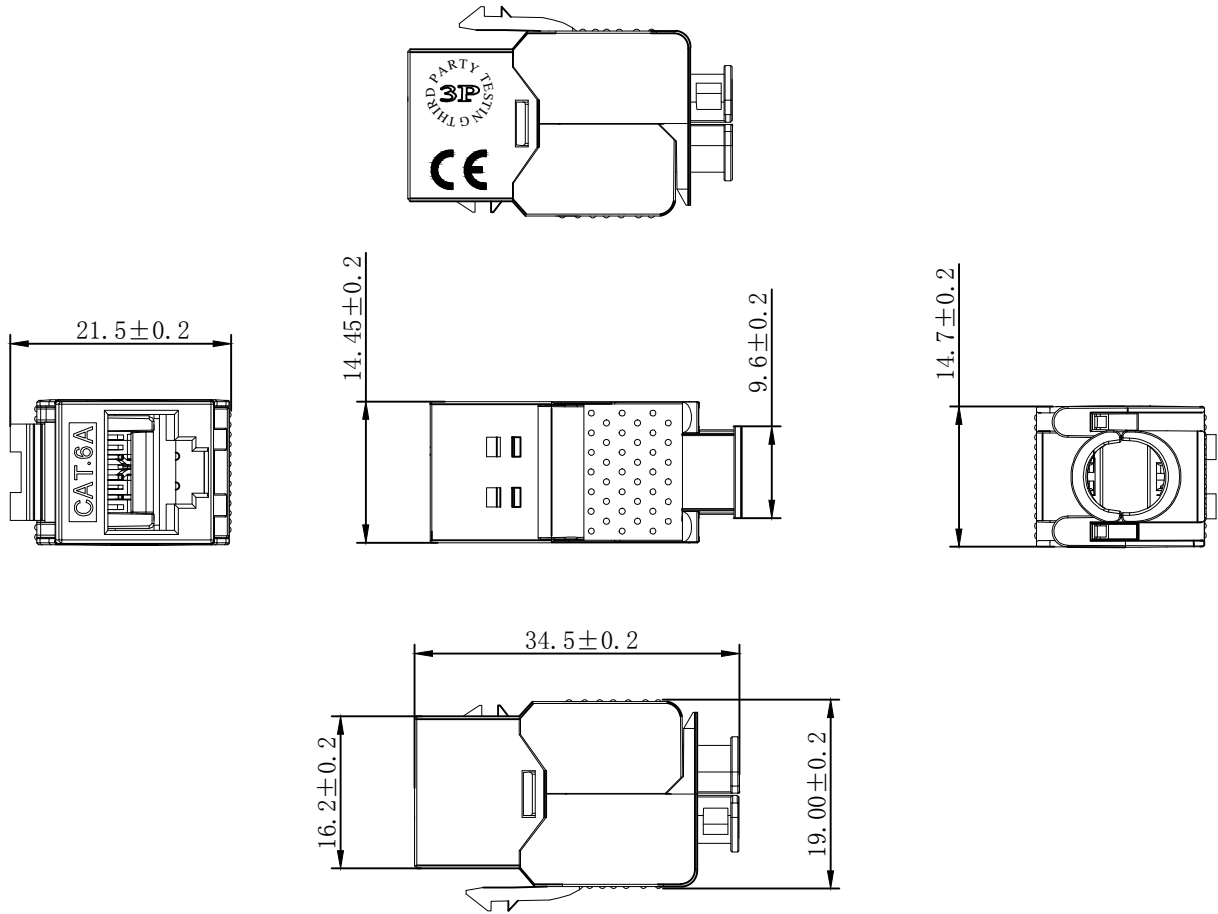


MATERIAL LIST:

- 1.wall box: ABS
- 2. Accessories
 cable tie: 4 PCS 2.5*80MM
 SCRW: 2PCS ST4*20MM
- 3.Applicable cable diameter:OD 8.2MM Max
- 4. ROHS 2.0 AND REACH COMPLIANT

SYNERGY 21										
CUSTOMER				ITEM NO.		S216342				
PRODUCT NAME			4 port wall box		manufacture country:		CHINA		UNIT	MM
NEW					2017-04-21	A	DRAWNBY	CHECKBY	APPOBY	DATE
BY	CHK	REVISION RECORD MODIFICATIONS			DATE	REV.	SYNERGY 21	SYNERGY 21	SYNERGY 21	2017-04-21



NOTES:

ELECTRICAL:

1. Contact Resistance : 20MΩ MAX
2. Insulation Resistance : 500MΩ MIN @ 500V DC
3. Withstand Voltage : DC 1000V AC 700V RMS 60Hz, 1MIN
4. Component testing for Cat.6A to ISO/IEC 11801 Ed.2.2:2011-06
DIN EN 50173-1:2011-09
TIA/EIA-568-C.2 (2009-08)
IEC 60603-7-5 Ed.1 (12/2008)
5. Compliance with Class EA up to 500 MHz to ISO/IEC 11801 Ed.2.2:2011-06
DIN EN 50173-1:2011-09

ENVIRONMENTAL:

1. Storage temperature : -40° T0+70°
2. Operation temperature : -10° to+60°

MECHANICAL

1. SHIELD MATERIAL: ZINC ALLOY (Silver)
 2. IDC MATERIAL: PC TERMINAL:PHOSPHOR BRONZE, TIN PLATING
 3. RJ45 Contact Life: 750 Times Min
 4. Plug inforce:<30N
 5. Solid cable:1/22AWG(0.65MM)-1/26AWG(0.40MM) ID:1.05MM-1.5MM
 6. Cable OD: 5.0mm-8.0mm
 7. PoE per IEEE 802.3af, PoE+ per IEEE 802.3at
 8. 360° Shield connection
- Packing: 1pc/PE Bag + Label
RoHS 2.0 and REACH Compliant

MATERIAL LIST:

⑦	MODULAR COVER	PC White	1	
⑥	RJ 45 JACK INSERT	PHOSPHOR BRONZE 8P8C GOLD PLATED	8	
⑤	PCB	1.2mm UL 94V0	1	
④	IDC BODY	PC White	1	
③	IDC PIN	PHOSPHOR BRONZE & TINNED	8	
②	LABEL COLOR CODE	T568A/B	2	
①	IDC TERMINAL	FOR 22-26AWG(0.40mm-0.65mm) CABLE	1	

NO	PARTS NAME	SPECIFICATION STANDARD	QT' Y	REMARK
		NEW	2020-02-21	A
BY	CHK	REVISION RECORD MODIFICATIONS	DATE	REV.

SYNERGY 21					
CUSTOMER	ITEM NO.	S216364			
PRODUCT NAME	manufacture country:	china	UNIT	MM	
CAT. 6A STP KEYSTONE JACK					
DRAWNBY	CHECKBY	APPOBY	DATE		
SYNERGY 21	SYNERGY 21	SYNERGY 21	2020-02-21		