

MIBOXER[®] | **Mi-Light**
Subordinate New Brand

DALI 5 in 1 LED Controller (DT8)

Model No.: DL-X

Features

The constant voltage LED strip controller adopts DALI standard protocol and supports DT8 type. PWM pulse dimming output, smooth brightness dimming, and strong compatibility. Five output modes, including brightness, color temperature, RGB, RGBW, RGB+CCT. Widely used in hotel lighting and home lighting control.

- Support DALI standard protocol IEC62386-102,207,209.
- Support DT8 type. Tc, xy coordinates, RGBWAF.
- Support single color, color temperature, RGB, RGBW and RGB+CCT output modes.
- Support digital tube to display address and group information. And can be quickly set by pressing the button.
- Brightness dimming and ON/OFF via push button.
- Logarithmic or linear dimming curve optional.
- With anti-reverse protection function.
- With short-circuit, over-current protection and recovery functions.

Function Settings

1. Digital Display status description

Self-locking: If there is no key operation for 30s continuously, it will enter the locked status, and the digital tube will display in low light.

Unlocking: Long press the **M** button for 2 seconds until the digital tube is highlighted; unlocking is successful

DALI short address often displayed: DALI signal available

DALI short address blinking: DALI signal unavailable.

Display **0-0-0**: A fault has occurred (for example: overcurrent protection).

2. Set short address

under unlocked state, short press the **M** key until the digital tube displays (000-063) or (255), short press the **▲** key or the **▼** key to change DALI short address, long press can quickly adjust.

For example: When display **0-0-3**, it means that the DALI controller short address is 63.

When display **0-0-0**, it means that the DALI controller has not allocated a short address and it is in the broadcast state.

3. Set group address

Under unlocked status, short press **M** button until digital tube display(c00-c15)

Short press the **▲** key to change the DALI controller group address, long press to quickly adjust; short press the **▼** key to select or cancel the current group.

For example: When **0-0-7** is displayed, it means the 7th group of DALI controller has been selected.

When **0-0-0** is displayed, it means that the 7th group of the DALI controller has been cancelled.

4. System parameter setting instruction

Under unlocked state, long press the **M** button for 3 seconds to enter the system parameter setting; short press the **M** button to switch the 3 different parameters setting. Long press the **M** button for 1s or no operation within 8s to exit the setting.

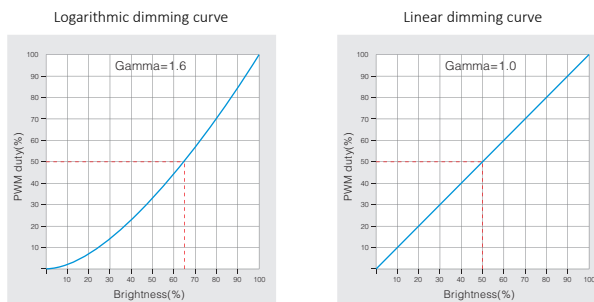
Parameter 1: Output mode setting (display dL1/ dL2/ dL3/ dL4/ dL5)

The 5 output modes can be switched by short pressing the **▲** key or the **▼** key
(Note: the factory default is DL5).

- dL1** Means single color output mode
- dL2** Means color temperature output mode (Color Type Tc)
- dL3** Means RGB output mode (Color Type Tc, xy coordinates, RGBWAF)
- dL4** Means RGBW output mode (Color Type Tc, xy coordinates, RGBWAF)
- dL5** Means RGBCCT output mode (Color Type Tc, xy coordinates, RGBWAF)

Parameter 2: Dimming Curve setting (Show C-E or C-L), short press **▲** button or **▼** button to switch.

- C-E** Dimming curve is logarithm dimming. (Factory default parameter)
- C-L** Dimming curve is linear dimming.



Parameter 3: Dimming smoothness setting (show H-0 or H-1), short press **▲** button or **▼** button to switch.

- H-0** Smooth dimming. (Factory default setting)
- H-1** Standard dimming.

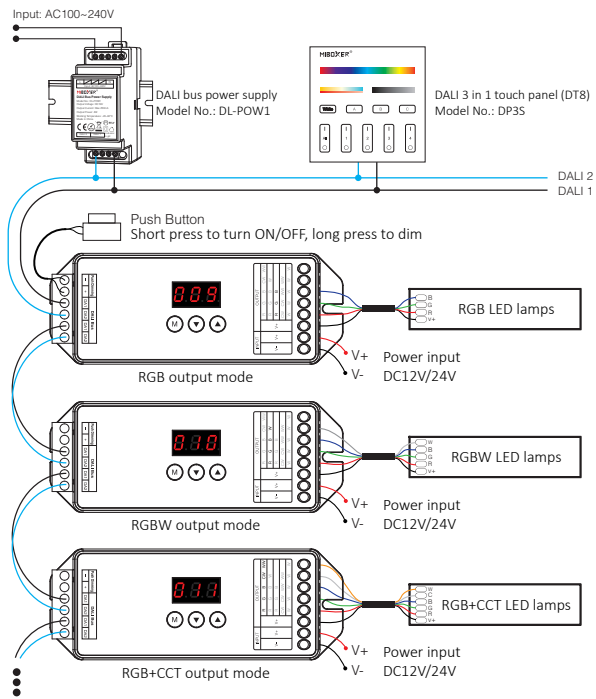
5. Restore factory default

Under unlock status, long press M button 10 seconds until digital display show **9.9.9**.

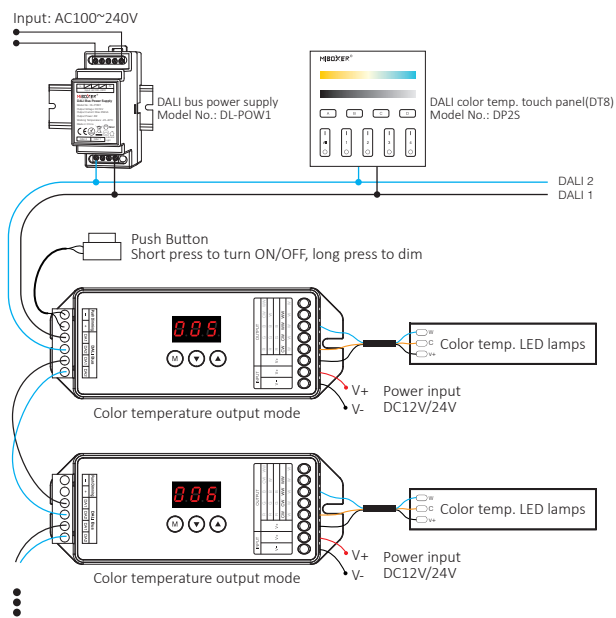
Push dimming instruction

Short press the Push switch to turn on or turn off the light. When the light is on, press and hold Push to change the brightness.

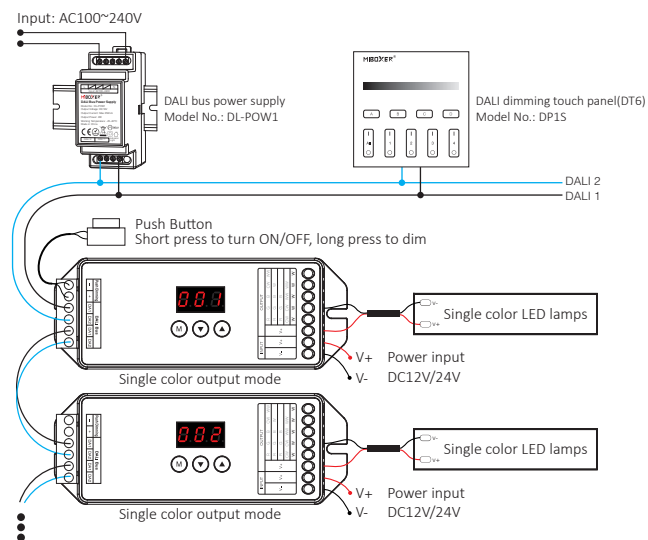
Connection Diagram (RGB / RGBW / RGB+CCT output mode)



Connection Diagram (Color temperature output mode)



Connection Diagram (Single color output mode)



Attention

1. This product should be debugged and installed by professionals.
2. Please check whether the output voltage of the power supply meets the requirements of the product voltage range.
3. The product is not waterproof, please install it in the waterproof box when installed outdoors.
4. Before switching on the power, please ensure that all wiring is correct, so as not to cause damage to the devices.
5. If fault has occurred, non-professionals do not repair it without permission, otherwise the devices will be damaged.



Made in China