

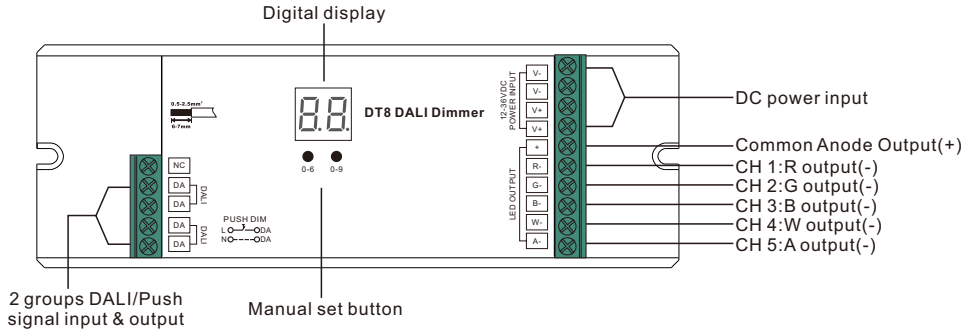
DALI DT8 RGBWA LED Dimmer

70040024



Important: Read All Instructions Prior to Installation

Function introduction



Product Data

Input Voltage	Output Current	Output Power	Remarks	Size(LxWxH)	DALI Consumption	Dimming Range	Ambient Temperature
12-36VDC	5x5A	5x(60-180)W	Constant voltage	170x59x29mm	2mA	0.1%-100%	-20°C ~ +50°C

- In compliance with IEC 62386-101:2014, IEC 62386-102:2014, IEC 62386-207 Ed2, IEC 62386-209:2011
- Built-in DALI-2 interface, DALI DT8 device
- DALI DT8 device to control Red, Green, Blue, White and Amber output via a single DALI address.
- 5 Channels constant voltage or constant current output.
- Enables Dimming and color Adjustment.
- Control of five PWM outputs R, G, B, W and A via DALI device type 8
- Color control as defined in the DALI specification for device type 8, color type RGBWA.
- Supports DT8 device commands, compatible with DALI masters that support DT8 commands.
- Configuration via DALI master USB interface.
- Numeric digital display for setting DALI address manually.
- Waterproof grade: IP20.

Safety & Warnings

- DO NOT install with power applied to device.
- DO NOT expose the device to moisture.

Operation

1. Set DALI Address Manually Via Buttons



- 1.1. Press and hold down any of the two buttons until numeric digital display flashes, then release the button.
- 1.2. Click any of the two buttons once to select a digit, click again to change the digit until the desired DALI address appears. Click first button to set "tens" position and second button to set "units" position. The address can be set from 00-63.
- 1.3. Then press and hold down any of the 2 buttons until the numeric digital display stops flashing to confirm the setting.

Note: DALI address can be manually assigned from 00-63-FF, by factory defaults, no DALI address is assigned for the dimmer, and the display shows **FF**. Setting DALI address as **FF** will reset the dimmer to factory defaults.

2. Once an address is selected, all five channels' address will be the same. For example, if the dimmer is addressed to 22 on the display then CH1, CH2, CH3, CH4, CH5 will be the same address 22.

3. DALI Address Assigned by DALI Masters

DALI address can also be assigned by DALI Master controller automatically, please refer to user manuals of compatible DALI Masters for specific operations.

Note: The digital display will show **AU** When the DALI master is assigning addresses.

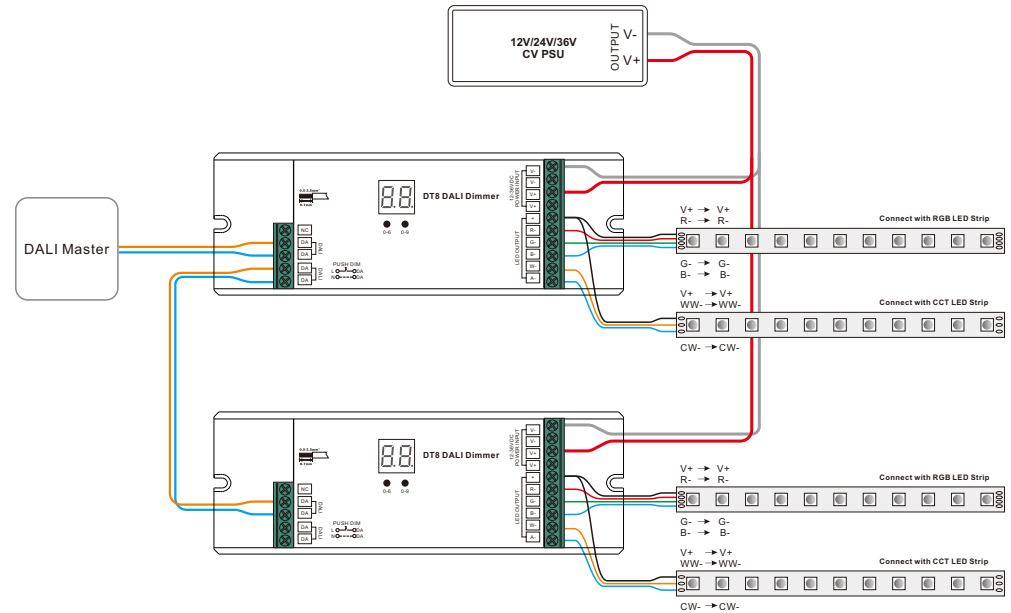
4. Push Dimmer Mode

While connected with a AC push switch, the digital display will show "PD" which means Push Dimmer Mode, operations under Push Dimmer Mode are as follows:

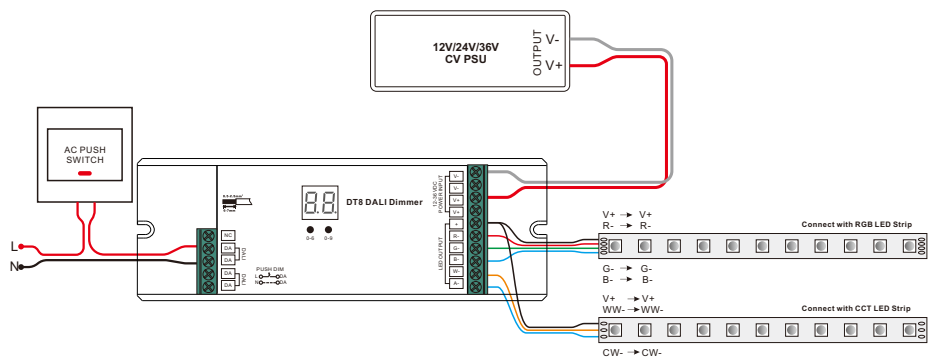
- 4.1. Click the button to switch ON/OFF
- 4.2. Press and hold down the button to increase or decrease light intensity to desired level and release it, then repeat the operation to adjust light intensity to opposite direction. The dimming range is from 1% to 100%.
- 4.2. Memory function after power off or power failure enables the device to memorize the status before power off while power on again.

Wiring diagram

1. With DALI Bus



2. With Push Dimmer



Conformity & Standards

- Radio Frequency Interference according to EN 55015:2013/A1:2015
- Immunity standard according to EN 61547:2009
- TÜV SÜD marked, CE marked

Product Dimension

