

Patch Antenna for 2.4 GHz



ALL19012

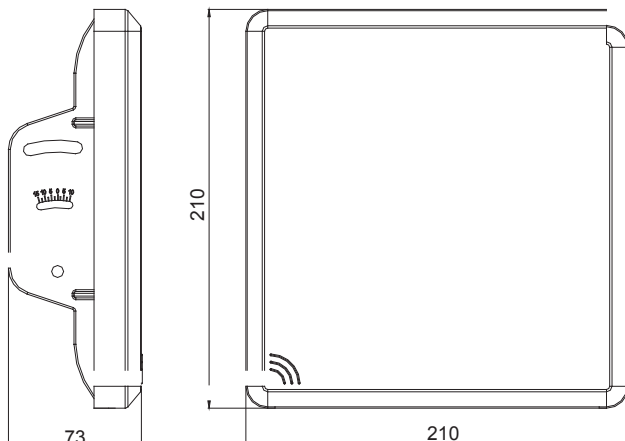
Electrical Specification

Frequency range	2400 MHz - 2500 MHz
Gain	14 dBi
VSWR	1.8 : 1 Max.
Polarization	Linear, vertical
HPBW / horizontal	30°
HPBW / vertical	30°
Front to back ratio	15 dB
Downtilt	0°
Power handling	10 W (cw)
Impedance	50 Ohms
Connector	N Jack
Cable	ULA 198, 20cm

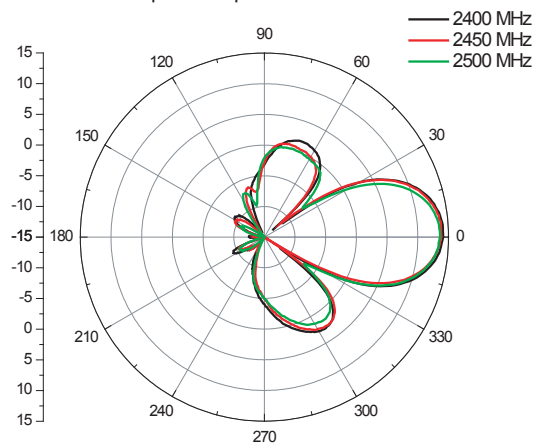


Environmental & Mechanical Characteristics

Survival wind speed	216 km/hr
Temperature	- 40°C to +80°C
Humidity	95% @ 25° C
Lightning protection	DC ground
Radome color	Gray-white
Radome material	ABS, UV resistant
Weight	640 gw
Dimension	210 x 210 x 73 mm



H-plane Co-polarization Pattern



V-plane Co-polarization Pattern

