



Mi • Light Subordinate New Brand

9W RGB+CCT LED Underwater Light (LoRa 433)

Model No.: UW03

Product Features

We use LoRa modem technology to fulfill the super long distance controlling. It's controlled by our 433MHz remote control or 433MHz Gateway for smartphone control. The lamp is with Red, Green, blue, cool white and warm white LED chips in side to fulfill the color changing, brightness dimming and dynamic mode controlling. Easy operation.



RGB+CCT
16 millions of colors to choose



433MHz RF wireless
transmission technology



Color temperature
2700~6500K



Super long distance 433MHz
remote controller control



Dimmable
saturation control



Smart phone APP control
(433MHz Gateway is needed)



Waterproof and dustproof
grade IP68



Support third party voice control
(433MHz Gateway is needed)

Dynamic Mode Sheet

Number	Dynamic Mode	Brightness & Speed
1	Mardi Gras	Adjustable
2	Automatic color change	
3	Sam	
4	Gemstone	
5	Twilight	
6	American	
7	Fat Tuesday	
8	Party	
9	Slow Color Splash	

Parameters

Model No.: UW03

Input Voltage: AC12V / DC12V~24V

Power: 9W

Working Temperature: -20~45°C

Color temperature: 2700~6500K

Luminous Flux: 600LM

Light Efficiency: 70LM/W

CRI: >80

Lifespan: 50000h

Beam Angle: 15°

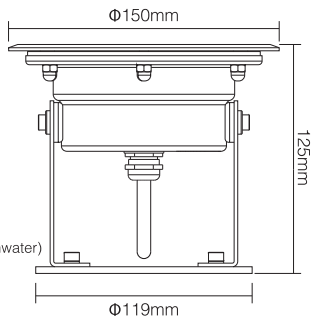
IP Rate: IP68

RF: 433MHz (LoRa spread spectrum)

Control Distance: 50m (Lamps into 0.5m under freshwater)

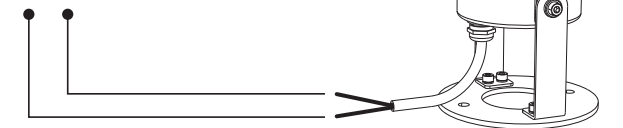
Product Weight: 1.3kg

Housing Material: Aluminum+stalinite

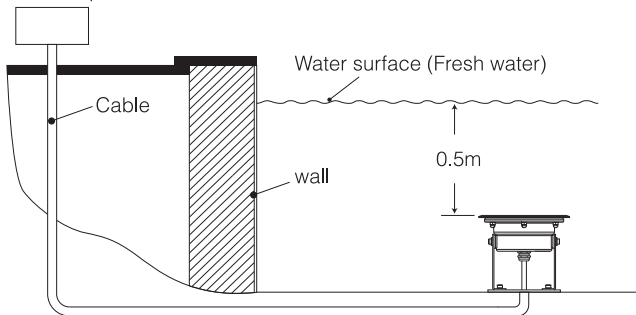


Connection Diagram

Input: AC12V / DC12V~24V



Power input

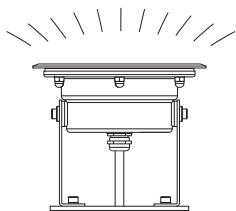


Link/Unlink

Compatible with "FUT086 remote control" and "WL-433 433MHz gateway"
(Purchased separately)



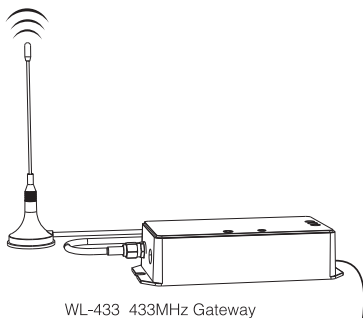
Lighting can be working after linking with remote; for more details, pls read the remote instruction.



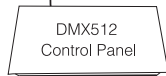
LED Underwater Light



FUT086 433MHz Remote Control



WL-433 433MHz Gateway



Switch-OFF to change color instruction

Switch OFF(for 5 seconds); Switch-ON again	Switch-OFF (For 5-10 seconds); Switch ON again	Switch-OFF (for over 10 seconds); Switch ON again
Switch the colors and dynamic modes in turn 1. Static Red 9. Mardi Gras 2. Static Green 10. Automatic color change 3. Static Blue 11. Sam 4. Static Yellow 12. Gemstone 5. Static Cyan 13. Twilight 6. Static Purple 14. American 7. Static Cool White 15. Fat Tuesday 8. Static Warm White 16. Party 17. Slow Color Splash	Static Red	Status before Switch OFF

Attention

1. Please check whether the input voltage supply is in accordance with the lighting fixtures, and please check the connection of both the cathode and anode.
2. The working voltage is DC24V, the lighting will be damage if the voltage is higher than DC24.
3. Non-professional user cannot dismantle the lighting directly, otherwise it may damage the lighting.
4. The working temperature is -20~45°C.
5. Please do not use lighting around the mental area and high magnetic field, otherwise, it will badly affect the control distance.
6. Users must be correct, strict and solid to install the light.



www.futlight.com
Made in China

