

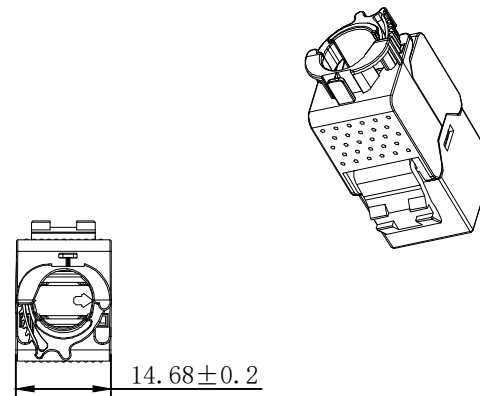
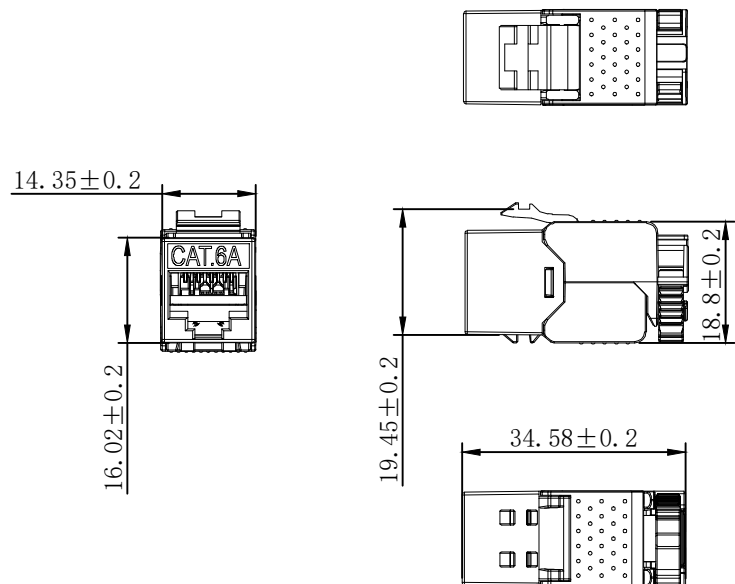
Chart

ITEM NO.	COLOUR
S216359	RAL9010
	RAL1013
	RAL9003

Designable  
 Suitable for central plate of the Germany Company Busch  
 Jaeger and Jung  
 Outlet Housing: ABS /UL94V2  
 Outlet Base: ABS /UL94V2  
 Keystone jack Module width cannot be greater than 16mm  
 RoHS 2.0 and Reach Compliant  
 PACKING: 1PCS/ PE BAG

SYNERGY 21					
CUSTOMER			ITEM NO.	See The Chart	
PRODUCT NAME	Face plate 2 port Designable	manufacture country	China	UNIT	MM
NEW	2020-02-18	A	DRAWNBY	CHECKBY	APPOBY
DATE	REV.	SYNERGY 21	SYNERGY 21	SYNERGY 21	2020-02-18

BY	CHK	REVISION RECORD MODIFICATIONS
----	-----	-------------------------------



NOTES:

ELECTRICAL:

- Contact Resistance :  $20M\Omega$  MAX
- Insulation Resistance :  $500M\Omega$  MIN @ 500V DC
- Withstand Voltage : DC 1000V AC 700V RMS 60Hz, 1MIN
- Compliance with Class EA up to 500 MHz to ISO/IEC 11801 Ed.2.2:2011-06  
DIN EN 50173-1:2011-09  
TIA/EIA-568-C.2 (2009-08)  
IEC 60603-7 Ed.1 (12/2008)

ENVIRONMENTAL:

- Storage temperature :  $-40^{\circ}$  TO  $+70^{\circ}$
- Operation temperature :  $-10^{\circ}$  to  $+60^{\circ}$

MECHANICAL

- SHIELD MATERIAL: ZINC ALLOY
  - IDC MATERIAL: PC TERMINAL:PHOSPHOR BRONZE, TIN PLATING
  - RJ45 Contact Life: 750 Times Min
  - Plug inforce:  $<30N$
  - Solid cable:  $1/22AWG(0.65MM)-1/26AWG(0.40MM)$  ID:  $1.05MM-1.5MM$
  - Cable OD: 5.0mm-8.0mm
  - PoE per IEEE 802.3af, PoE+ per IEEE 802.3at
  - $360^{\circ}$  Shield connection
- Packing: 1pc/PE bag+lable  
(copper foil included)  
RoHS 3.0 and REACH Compliant

MATERIAL LIST:

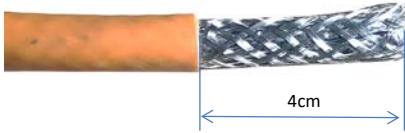
⑦	IDC TERMINAL	FOR 22-26AWG (0.45mm-0.65mm) CABLE	1	
⑥	LABEL COLOR CODE	T568A/B	2	
⑤	IDC PIN	PHOSPHOR BRONZE & TINNED	8	
④	IDC BODY	FIREPROOF/PC UL 94V0	1	
③	PCB	1.2mm UL 94V0	1	
②	RJ 45 JACK INSERT	PHOSPHOR BRONZE 8P8C GOLD PLATED	8	
①	MODULAR COVER	ZINC ALLOY	1	
NO.	PARTS NAME	SPECIFICATION DESCRIPTION	QT'Y	REMARK
		NEW	2022-12-06	A
BY	CHK	REVISION RECORD MODIFICATIONS	DATE	REV.

SYNERGY21

CUSTOMER		ITEM NO.	S216382		
PRODUCT NAME	Super slim Cat.6A/Class EA Keystone Jack	manufacture country:	CHINA	UNIT	MM
DRAWNBY	CHECKBY	APPOBY	DATE		
SYNERGY21	SYNERGY21	SYNERGY21	2022-12-06		

# Installationsanleitung/Installation guide

## Keystone Jack



①.Stripping 4cm of sheath.



②.foldback braided and drained wire.



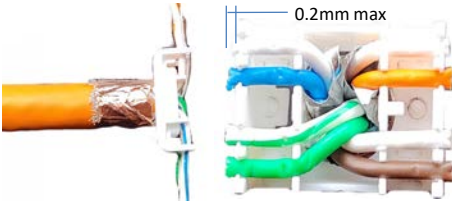
③.paste copper foil on the braided and ground wire and cut off the excess weave and the ground wire



④.4.Fan out all four twisted pairs, allocate each by following colorcoding label



⑤.Across the holde by the color marks of T568A or T568B



⑥. allocate each conductor into proper slots on wiring cap by following color coding



⑦.Trim the theends of conductors.



⑧.install the termination cap in direction of arrow into the keystone jack



⑨.press both covers of the keystone jack to contact the cable



⑩.Fasten smart cable ties for 360 degree shielding