

NOTES:

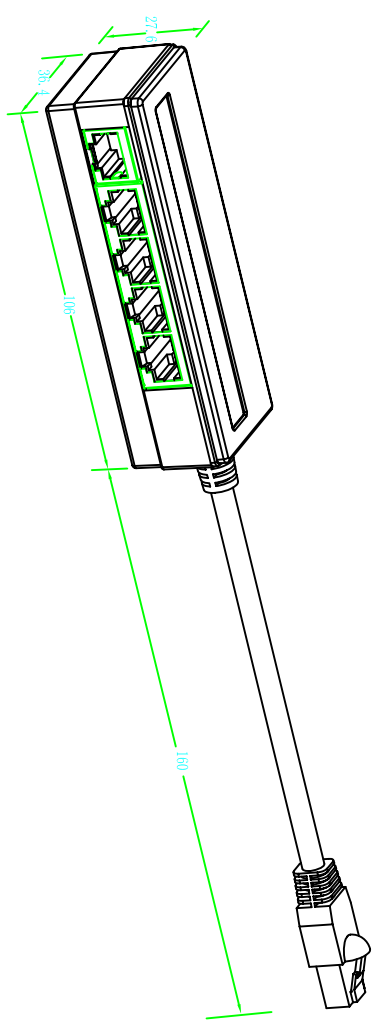
Electrical Specifications:

- Insulation Resistance: 500M ohms (min.)
- Contact Resistance: 20M ohms (max.)
- Current Rating : 1.5 Amps.
- DC Resistance: 0.1 ohms(max.)
- Withstanding Voltage : 1000 VAC RMS @ 60Hz/ 1 min.

Mechanecal Specifications:

RJ-45 Jack Insertion Cycle : Over 200 Cycles (min.)

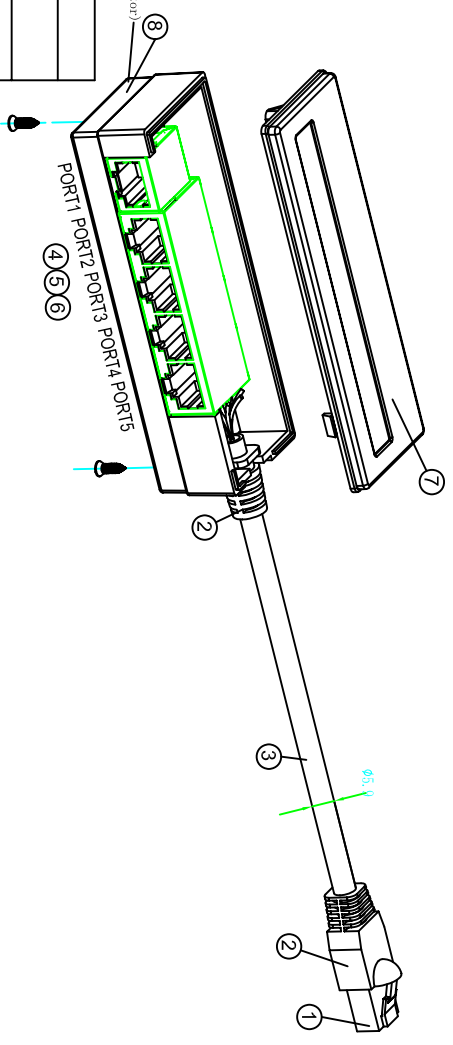
PACKING:SYNERGY 21 PE BAG+LABEL



MATERIAL LIST:

⑧	Bottom Panel:	Fireproof PC/ABS UL-94V0(Black)	1	
⑦	Upper Panel Cover:	Fireproof PC/ABS UL-94V0(Black)	1	
⑥	RJ-45 Jack Shield:	0.25mm thickness Brass with Ni plated	2	
⑤	RJ-45 Jack :	Housing-PBT/FTP 8P8C 6u" gold plated	5	
④	PCB :	FR-4/1.6mm UL-94V0	1	
③	Cable:	STP Cable(Ivory)	1	
②	Cable boot:	PVC UL-94V0(Ivory)	2	
①	Connector:	RJ45 8P8C Plug Gold Plated 0Fu"	1	
NO.			QT' Y	REMARK

R1, R2(100 ohms Resistor)



SYNERGY 21

CUSTOMER		ITEM NO.		S215232	
PRODUCT NAME	Manufacturer Part #/Part No. to Sort/Stock 100 ohms Resistor	manufacture country:	CHINA	UNTT	MM
DRAWNBY	CHECKBY	APPROBY	DATE		
SYNERGY 21	SYNERGY 21	SYNERGY 21	2009-09-17		
DATE	REV.	REVISION RECORD MODIFICATIONS			
2009-09-17	A	NEW			
BY	CHK				