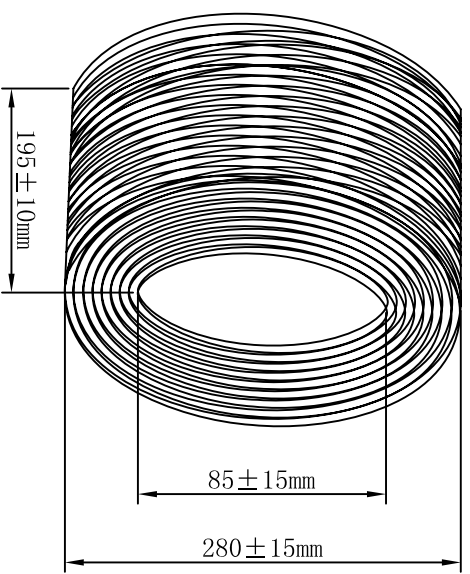
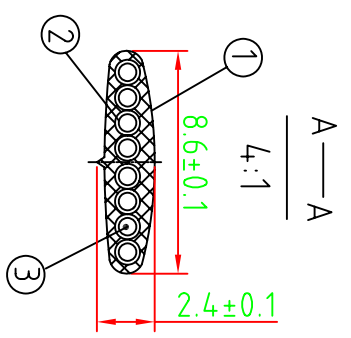


NOTE 1:

ITEM NO.	COLOR
S215222	BLACK
S215223	WHITE



LENGTH: 100M

NOTES:

1. ROHS Compliant
2. PACKING: PE BAG+LABEL

MATERIAL LIST:

NO	MAT. NAME	DESCRIPTION	QTY	REMARK
④	SYNERGY BAG	SPECIFICATION: 300mm*350mm*0.06mm	1	
③	Conductor	28AWG-7*0.12mm	8	
②	INSULATION	PP OD: 0.98mm COL:OR: grey, orange, black, red, green, yellow, blue, brown	8	
①	CABLE	FLAT CABLE 8C PVC (93A) OD: 8.6mm*2.4mm	1	

BY	CHK	REVISION RECORD MODIFICATIONS
		NEW

DATE	REV.	CUSTOMER	SYNERGY 21
2009/09/07	A		

SYNERGY 21

PRODUCT NAME	Telephone Cable	Manufacturer country:	ITEM NO.	CHINA	UNTT	S215222
8C			SYNERGY 21			S215223
DRAWNBY	CHECKBY	APPROBY				DATE
SYNERGY 21	SYNERGY 21					2009/09/07