

ACS-SWITCH-PIR®

INFRA-RED PRESENCE DETECTION (PIR)



USE CASES



INTRUSION DETECTION

Monitors accesses on premises by infrared detection (PIR). Optimizes on-call duties and security checks.



FACILITY MANAGEMENT

Occupation rate of meeting rooms and areas open to the public for a better organization and optimization of maintenance checks.



PEOPLE COUNTING

People counting, 2 or 4-wheel drive vehicles for access monitoring : public restrooms, bike stations, car parks...

PRODUCT HIGHLIGHTS

SETTINGS ADAPTED TO YOUR USE CASES

Flexible operating mode with simple on-the-fly settings. Adapts to the majority of use cases.

IDENTIFICATION BY LED

A bi-color LED facilitates the installation of the product and ensures that detections are correctly taken into account.

OPTIMIZED ALGORITHM for more than 5 years of battery life depending on the use case.

TIME-STAMPING AND DATALOGGING of events (+3000)

REPLACEABLE BATTERY

OPTIONS AVAILABLE:

- 5m or 12m detection.
- Personalization on request :
 - Case color and labelling,
 - Specific features.



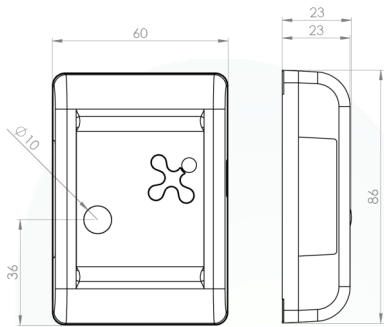
CLOVER-NET TECHNOLOGY

Real-time two-way communication protocol to facilitate the installation and setting of sensors, collection of time-stamped data, automatic inventories, OTA updates...

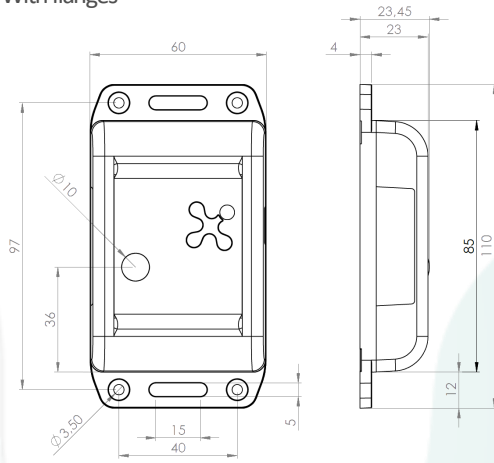
SPECIFICATIONS

Mechanical specificities

Without flanges



With flanges



Fastening system

Screw

Magnet (optional)

Glue

Certifications

CE, EN 300-220

Physical characteristics

Battery	Lithium 3.6Ah replaceable
Material	ABS PC V0 UL94
Weight	98g
IP index	IP44
IK index	IK07
Operating temperature	-20°C to 70°C
Storage temperature	-40°C to 80°C
Humidity	< 95% without condensation

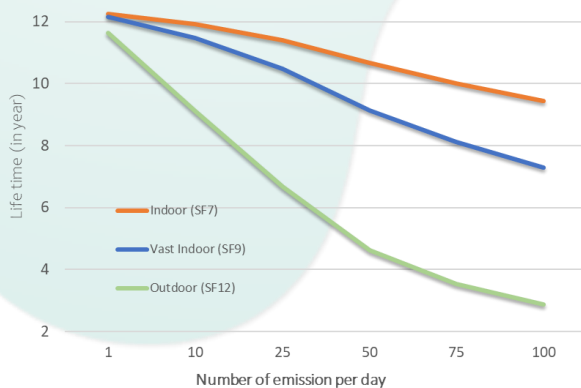
Communication

LoRaWAN	Class A
	EU868, 915US, AU915, AS923
	Private and public networks
	OTAA and ABP
	Power transmission : 14dBm (EU) to 20dBm max
	Operator compatible : Objenious, Orange ...
	Network core providers : Actility, Orbiwise, TTN, Lorient ...
SigFox (option)	RC1, RC2, RC4
CloverNet	Broadcast, multicast, point-to-point



CAUTION: THIS PRODUCT USES LITHIUM BATTERY.
FOR YOUR SAFETY, PLEASE CHECK OUR WEBSITE.

Battery life



Use case

Infra-red sensor
Keep alive uplinks every 24h
Alarm notification for every passage detection

Data transmitted

Detection status
Active / inactive status counter
Alarm in case of change of status or if it exceeds the threshold
Time stamps history
Activity data (battery, ...)
Temperature level
Settings configuration by downlink

INEO-SENSE

125 Rue de L'hostellerie,
Immeuble ELLIPSIS, Niv 4 Porte 12
30 900 Nîmes — France

Phone : +33 466 276 495
Web : www.ineo-sense.com
contact@ineo-sense.com

© 2020 Ineo-Sense. All rights reserved. Clover-Net, Clover-Sense, ACS-Switch-PIR, are trademarks of Ineo-Sense company. All other brands mentioned are the property of their respective holders. This is non-contractual document, and may be modified without notice.