

NOTES:

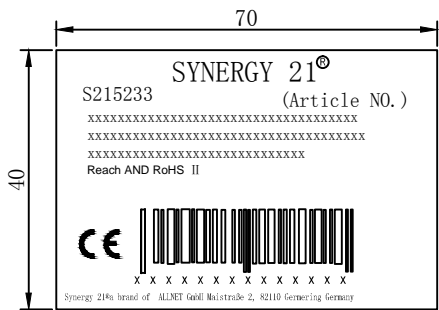
Electrical Specifications:
 Insulation Resistance: 500M ohms (min.)
 Contact Resistance: 20M ohms (max.)
 Current Rating : 1.5 Amps.
 DC Resistance: 0.1 ohms(max.)
 Withstanding Voltage : 1000 VAC RMS @ 60Hz/ 1 min.
Mechanical Specifications:
 RJ-45 Jack Insertion Cycle : Over 200 Cycles (min.)
 ROHS2.0 AND REACH COMPLIANT
 PACKING:SYNERGY 21 PE BAG+LABEL

MATERIAL LIST:

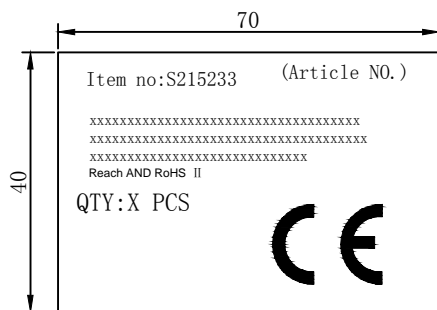
⑧	Bottom Panel:	Fireproof PC/ABS UL-94V0(metallized)	1	
⑦	Upper Panel Cover:	Fireproof PC/ABS UL-94V0(metallized)	1	
⑥	RJ-45 JackShield:	0.25mm thickness Brass with Ni plated	2	
⑤	RJ-45 Jack:	Housing-PBT/FTP 8P8C 3u" gold plated	2	
④	PCB:	FR-4/1.6mm UL-94V0	1	
③	Cable:	STP Cable(ivory)	1	
②	Cable boot:	PVC uL-94V0(ivory)	2	
①	Connector:	RJ45 8P8C PLUG GOLD PLATED 3u"	1	

NO.	PARTS NAME	SPECIFICATION DESCRIPTION	QT' Y	REMARK
		UPDATE PACKING TYPE		
		NEW		
BY	CHK	REVISION RECORD MODIFICATIONS	DATE	REV.

SYNERGY 21									
CUSTOMER					ITEM NO.		S215233		
PRODUCT NAME	ISDN Adapter RJ45 to 2ISDN JACK	manufacture country:		CHINA	UNIT	MM			
DRAWNBY		CHECKBY		APPOBY		DATE			
SYNERGY 21		SYNERGY 21		SYNERGY 21		2018-03-20			



Label 1



lable 2

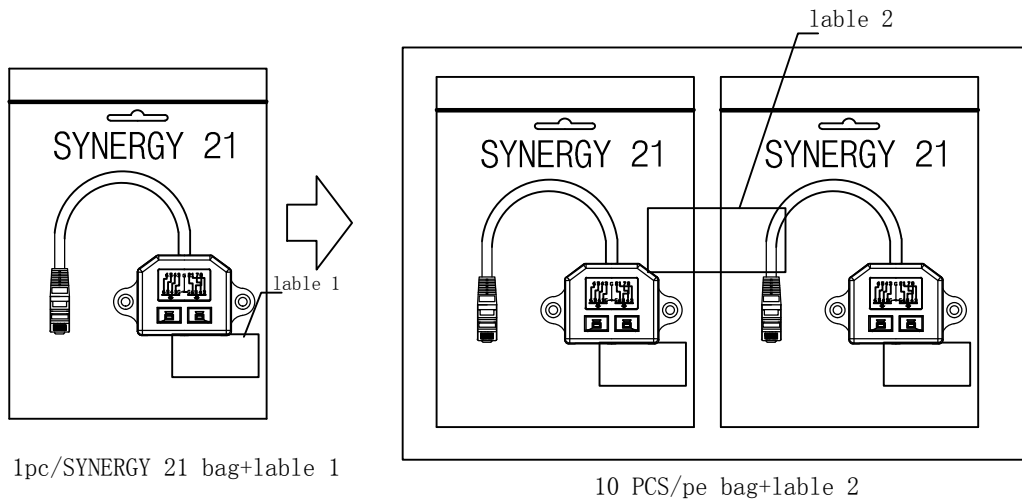
SHIPPING MARK



PO NO. :
REACH and ROHS 2.0 Compliant
MADE IN CHINA

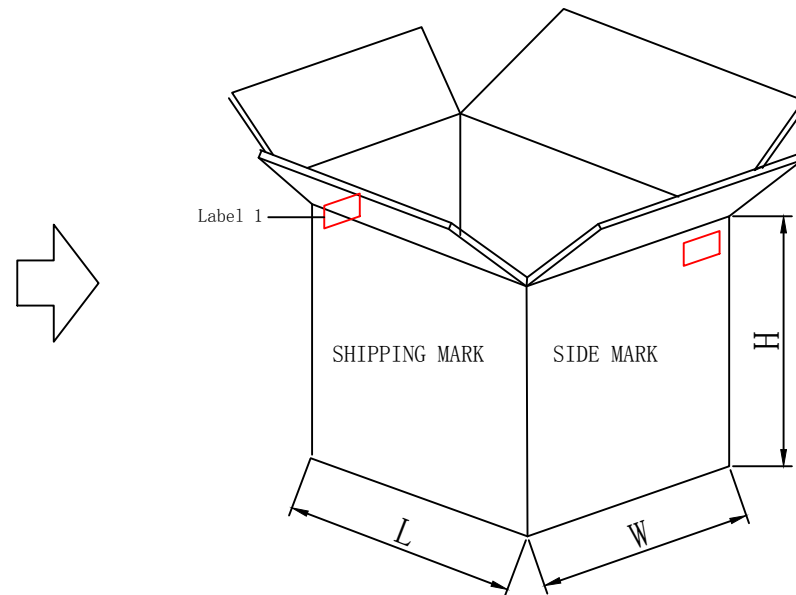
SIDE MARK

PO NO. :
Item no:
Q' TY:
N. W
G. W
Carton no.
MEAS.



1pc/SYNERGY 21 bag+lable 1

10 PCS/pe bag+lable 2



- 1.Packing: 1PC/SYNERGY 21 A Bag +LABEL 1, 10PCS/PE bag+Label 2, inner carton +outer carton+Label 1
2. “工” type sealing
3. “井” type packaging

SYNERGY 21												
CUSTOMER			ITEM NQ.			See The Chart						
UPDATE PACKING TYPE		2018-03-20		A1	PRODUCT NAME		Packing		manufacture country:	CHINA	UNIT	MM
NEW					DRAWNBY		CHECKBY		APPOBY		DATE	
BY	CHK	REVISION RECORD MODIFICATIONS		DATE	REV.	SYNERGY 21	SYNERGY 21	SYNERGY 21		2018-03-20		