

④

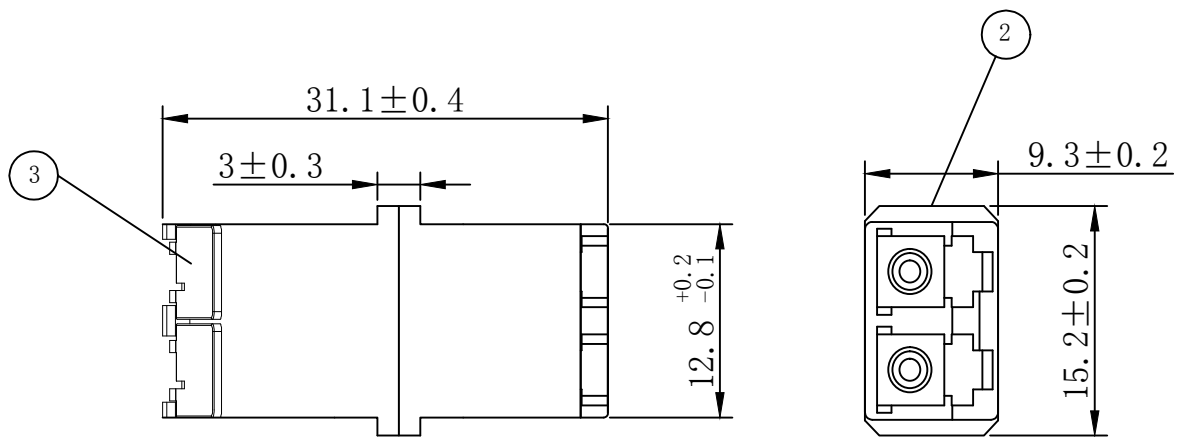
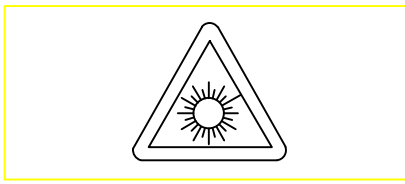
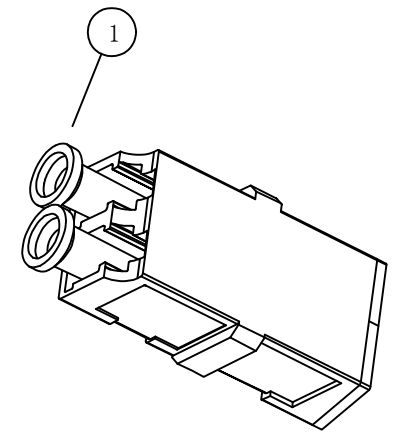
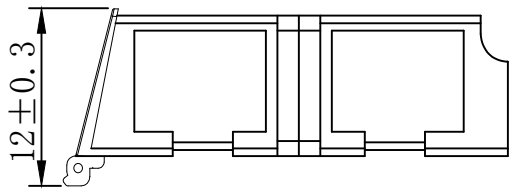


chart:

Item NO.	COLOR
	Blue
S215678	Green

NOTE:
RoHS 2.0 & Reach COMPLIANT

Insertion Loss (dB)	≤ 0.20
Operating Temperature (° C)	-40 ~ +80
Storage Temperature (° C)	-40 ~ +85



MATERIAL LIST:

④	Note that the laser label Yellow	2pcs	
③	White Dust Cap	2pcs	
②	LC Plastic Housing (SC simplex footprint) COLOR: SEE THE CHART	1pcs	
①	LC White Dust Cap	2pcs	
NO.	SPECIFICATION STANDARD	QT' Y	REMARK

SYNERGY 21					
CUSTOMER	ITEM NO.	manufacture country	CHINA	UNIT	MM
PRODUCT NAME	LC (Ceramic) Duplex Adapter (With External Laser Protection Shutter) w/o Flange				
	DRAWN BY	CHECK BY	APPOBY	DATE	
	SYNERGY 21	SYNERGY 21	SYNERGY 21	2018-04-17	

		NEW	2018-04-17	A	
BY	CHK	REVISION RECORD MODIFICATIONS	DATE	REV.	