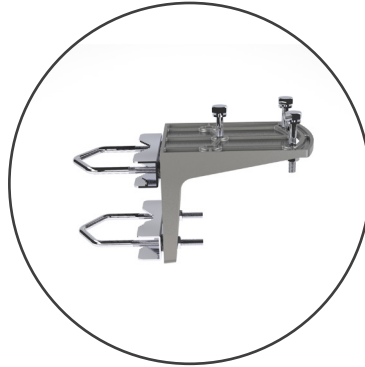
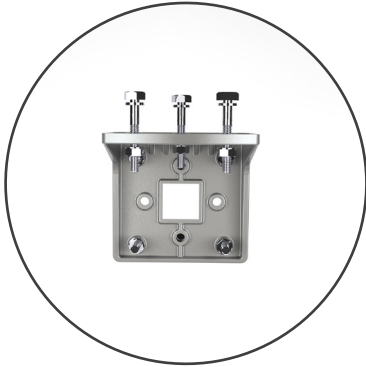


**BRACKET | BRKT-030**

# BRKT-030

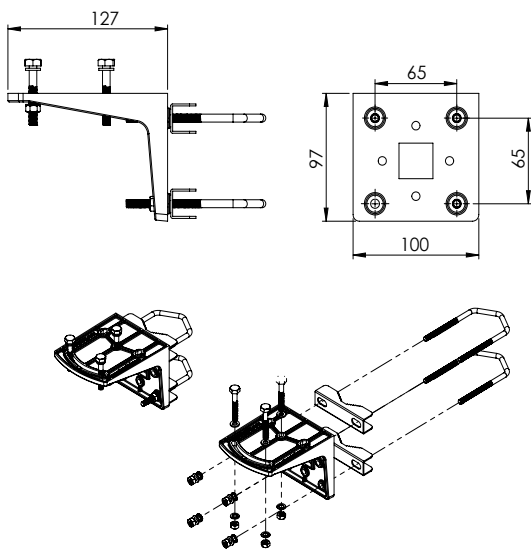
## LPDA 92 LTE HORIZONTAL MOUNTING BRACKET



### Ordering Information

Commercial name:	BRKT-030
Order Product Code:	A-BRKT-030
EAN Number:	6009693810112

### Product Drawing



### Mechanical Specifications

Product dimensions (L x W x D):	127 x 100 x 97mm
Packaged Dimensions (L x W x D):	150 x 120 x 120mm
Weight:	0.337kg
Packaged Weight:	0.396kg
Material:	Cast Aluminium ADC12
Process:	Cast Item
Surface finish:	Die Cast 1.6 - 0.8 µm

### Product Box Contents

Product:	A-BRKT-030
M6 nylock nut ss:	3
M6 flat washer ss:	6
M6x40mm bolt ss:	3

### Certification Approvals and Standards

Flammability rating:	UL:1581
Salt spray:	MIL-STD810F/ASTM B117
Product Safety:	Complies with CE and RoHS standards

### Contact Poynting

#### Poynting Antennas (Pty) Ltd - Head Office

Unit 4, N1 Industrial Park  
 Landmarks Avenue,  
 Samrand, 0157  
 South Africa

**Phone:** +27 (0) 12 657 0050

**E-mail:** sales@poynting.co.za

#### Poynting Europe

Regus Business Center Neue Messe Riem  
 Kronstadter Straße 4  
 81677 München  
 Germany

**Phone:** +49 89 208026538

**E-mail:** sales-europe@poynting.tech