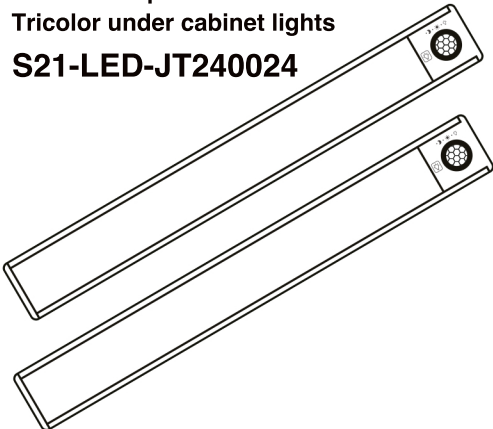


SYNERGY 21

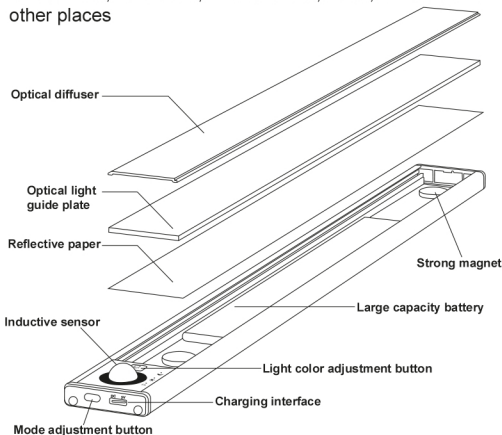
Schranklampe/Unterbauleuchte/Nachtlicht
Tricolor under cabinet lights
S21-LED-JT240024



- Before using the product, please read the manual carefully
- Bevor Sie das Produkt verwenden, lesen Sie bitte die Bedienungsanleitung sorgfältig durch

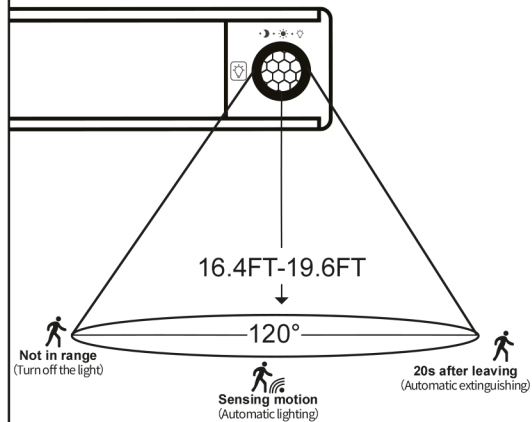
Product Description

There is an intelligent far-infrared sensing device under the cabinet lamp, which has fast response without delay. Suitable for cabinets, wardrobes, wine cabinets, aisles, corridors and other places



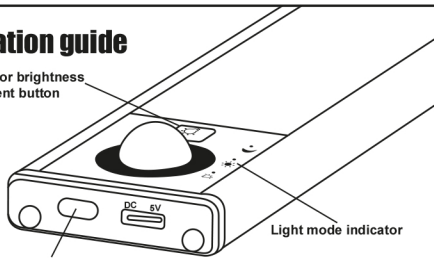
Induction Range

The automatic sensing range is 16.4FT-19.6FT/120°
20 seconds no action automatically shut down



Operation guide

Light color brightness adjustment button



Light mode indicator

Light mode adjustment switch

Three modes:

Mode 1: Press and hold the light touch switch, the first group of indicator lights (☾) will light up, and enter the human body induction + light control mode
Mode 2: Short press once, the second group of indicator lights (☼) lights up, enter the human body induction mode
Mode 3: Short press for the second time, the third group of indicator lights (☽) lights up, entering the normally open mode

Light color brightness adjustment button:

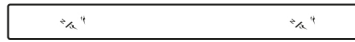
- Short press to switch the color temperature, respectively 3000k-4000k-6500k
- Long press to realize 0%-100% stepless dimming

Installation instructions

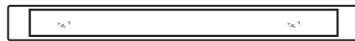
Stick the lamp directly on the iron surface



Ferrous surface



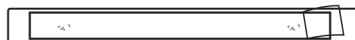
It can be installed on the non-ferrous surface by pasting iron sheet and cooperating with the magnet of the lamp. Before installation, ensure that the installation surface is clean and flat



Adsorb the pasted iron sheet to the back of the lamp



Non ferrous surface



Tear off the sticker on the back of the iron sheet and install the lamp where needed

Parameter

Product size	20cm/30cm/40cm/60cm
Power	1W/1.5W/2W/2.5W
Power supply	3.7V
Lamp beads	0.2W
Number of lamp beads	44LED/78LED/100LED/155LED
Charging current	1000mA
Lithium battery capacity	1000mA/1500mA/2200mA
Default induction time	20s
Material	Aluminum + ABS
Lumens	100/150/200/250LM
Service life	5000 hours
Sensing distance and angle	16.4-19.6FT 120°
Color temperature	3000k/4000k/6500k

1. When using it for the first time, please fully charge it first
2. If it is not used for a long time, it is recommended to charge it once every 3 months for the maintenance of the built-in lithium battery
3. The hand-scanning sensor cannot be covered by other items. When cleaning the surface of the lamp, you need to wipe it with a soft face sponge, and avoiding contact with the corrosive substances.
4. Do not install in humid, high-temperature places, or vents, so as not to affect normal use
5. Do not disassemble the product without permission