

ALLNET IP Camera Bullet / Outdoor / 5MP / IR / Low-Light / 7

>>> [Go to the shop article](#)



EAN CODE



ALLNET IP Camera Bullet / Outdoor / 5MP / IR / Low-Light / 79° / "ALL-CAM2497v3-LEN"

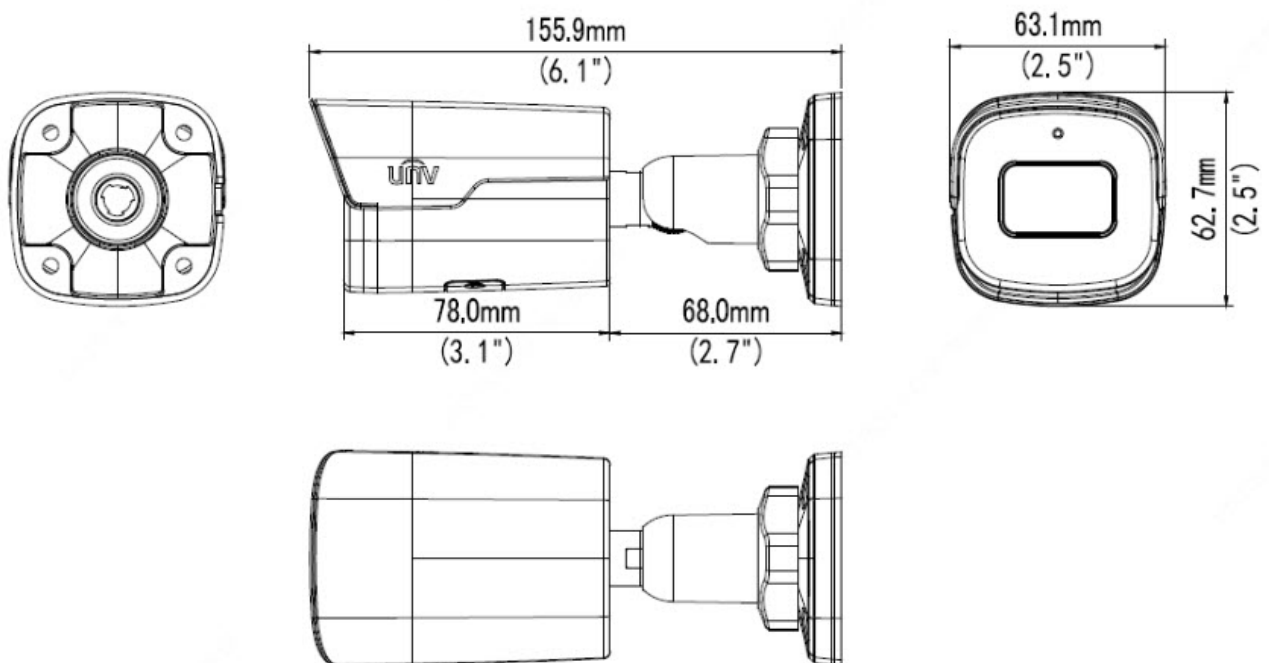
Highlights:

- 5MP HD Lighthunter IR Fixed Bullet Network Camera
- High quality image with 5MP, 1/2.7" CMOS sensor
- 5MP (2880*1620) @ 30/25fps; 4MP (2560*1440) @ 30/25fps; 3MP (2304*1296) @ 30/25fps; 2MP (1920*1080) @ 30/25fps
- Ultra 265, H.265, H.264, MJPEG
- LightHunter technology ensures ultra-high image quality in low illumination environment
- 120dB true WDR technology enables clear image in strong light scene
- Support 9:16 Corridor Mode
- Built-in Mic
- Smart IR, up to 40m (131ft) IR distance
- Supports 256 G Micro SD card
- IP67 protection
- Support PoE power supply

Key Features



Dimensions



Technical Details:

ALL-CAM2497v3-LEN					
Camera					
Sensor	1/2.7", 5.0 megapixel, progressive scan, CMOS				
Lens	2.8mm@F1.6		4.0mm@F1.6		
DORI Distance	Lens (mm)	Detect (m)	Observe (m)	Recognize (m)	Identify (m)
	4.0	90.0	36.0	18.0	9.0
Angle of View (H)	78.7°				
Angle of View (V)	44.9°				



Angle of View (O)	89.2°		
Adjustment angle	Pan: 0° ~ 360°	Tilt: 0° ~ 90°	Rotate: 0° ~ 360°
Shutter	Auto/Manual, 1 ~ 1/100000s		
Minimum Illumination	Colour: 0.003Lux (F1.6, AGC ON) 0Lux with IR on		
Digital noise reduction	2D/3D DNR		
Day/Night	IR-cut filter with auto switch (ICR)		
S/N	>56dB		
IR Range	Up to 40m (131 ft) IR range		
Wavelength	850nm		
IR On/Off Control	Auto/Manual		
Defog	Digital Defog		
WDR	120dB		
Video			
Video Compression	Ultra 265, H.265, H.264, MJPEG		
H.264 code profile	Baseline profile, Main profile, High profile		
Frame Rate	Main Stream:5MP (2880*1620), Max 30fps; 4MP (2560*1440), Max 30fps; 3MP (2304*1296), Max 30fps; 1080P (1920*1080), Max 30fps; Sub Stream: 720P (1280*720), Max 30fps; D1 (720*576), Max 30fps; 640*360,Max 30fps; 2CIF(704*288), Max 30fps; CIF(352*288), Max 30fps; Third Stream: D1 (720*576), Max 30fps; 640*360,Max 30fps; 2CIF(704*288), Max 30fps; CIF(352*288), Max 30fps;		
9:16 Corridor Mode	Supported		
Video Bit Rate	128 Kbps~16 Mbps		
OSD	Up to 8 OSDs		
Privacy Mask	Up to 4 areas		
ROI	Up to 8 areas		
Motion Detection	Up to 4 areas		



Image	
White Balance	Auto/Outdoor/Fine Tune/Sodium Lamp/Locked/Auto2
Digital Noise Reduction	2D/3D DNR
Smart IR	Supported
Flip	Normal/Vertical/Horizontal/180°/90°Clockwise/90°Anti-clockwise
Dewarping	N/A
HLC	Supported
BLC	Supported
Audio	
Audio Compression	G.711
Suppression	Supported
Sampling Rate	8KHZ
Storage	
Edge Storage	Micro SD, up to 256GB
Network Storage	ANR, NAS(NFS)
Network	
Protocols	IPv4, IGMP, ICMP, ARP, TCP, UDP, DHCP, PPPoE, RTP, RTSP, RTCP, DNS, DDNS, NTP, FTP, UPnP, HTTP, HTTPS, SMTP, 802.1x, SNMP, QoS
Compatible Integration	ONVIF (Profile S, Profile G, Profile T), API
Client	EZStation EZView EZLive
Web Browser	Plug-in required live view: IE9+, Chrome 41 and below, Firefox 52 and below
	Plug-in free live view: Chrome 57.0+, Firefox 58.0+, Edge 16+, Safari 11+
Interface	
Network	1 RJ45 10M/100M Base-TX Ethernet
Built-in Mic	Supported
Certifications	
Certifications	CE: EN 60950-1 UL: UL60950-1 FCC: FCC Part 15



General	
Power	DC 12V±25%, PoE (IEEE 802.3af)
	Power consumption: Max 5.0W
Dimensions (L x W x H)	155.9 x 63.1 x 62.7mm (6.1" x 2.5" x 2.5")
Net Weight	0.425kg (0.93lb)
Material	Metal
Working Environment	-30°C ~ 60°C (-22°F ~ 140°F), Humidity: ?95% RH (non-condensing)
Storage Environment	-30°C ~ 60°C (-22°F ~ 140°F), Humidity: ?95% RH (non-condensing)
Surge Protection	2KV
Ingress Protection	IP67
Reset Button	Supported

Accessories

Part No.	Name
159699	ALLNET ALL-CAM2497-LEN Junction Box
159704	ALLNET ALL-CAM2497-LEN Pole Mount/Masthalter "Junction Box n
99305	ALLNET / ALL95100 TP Cat 6 / PoE Surge arrester
186548	ALLNET PoE Injector Gigabit PoE & PoE+ (15,4W/30W) / plastic
112270	ALLNET ALL048900V2 / Power over Ethernet Injector AT++ 90W
113046	ALLNET ALL048605PD / unmanaged 5 Port Gigabit PoE Switch
99315	ALLNET ALL8804PoE+ / Unmanaged 8 Port Giga.HPoE Switch, 2x P
93392	ALLNET Switch unmanaged 8 port Gigabit 150W / 8x PoE+ / Fanless / 19" / "ALL8808POE"
193997	ALLNET Switch full managed 8 port Gigabit 130W / 8x PoE+ /
194025	ALLNET Switch full managed 24 Port Gigabit 390W / 24x PoE+ / 4x SFP / FANLESS / 19" / "ALL-SG8626PM"
200625	ALLNET Videoserver NVR Box mit Networkoptix Server, RK3399, 2GB, ALL2288
124355	Networkoptix IP Nx-Professional Videomanagement Software 1 Kanal "X86 Platform"



Part No.: 209784
Vendor Part No.: ALL-CAM2497v3-LEN

Part No.	Name
162926	Networkoptix IP Nx-Professional Videomanagment Software 4 Kanal "X86-Platform"
162927	Networkoptix IP Nx-Professional Videomanagment Software 8 Kanal "x86 Platform"
146999	ALLNET PoE USV Backup - USV für Kameras, Accesspoints ALL900

[Click here to discover more items from this category in our shop.](#)