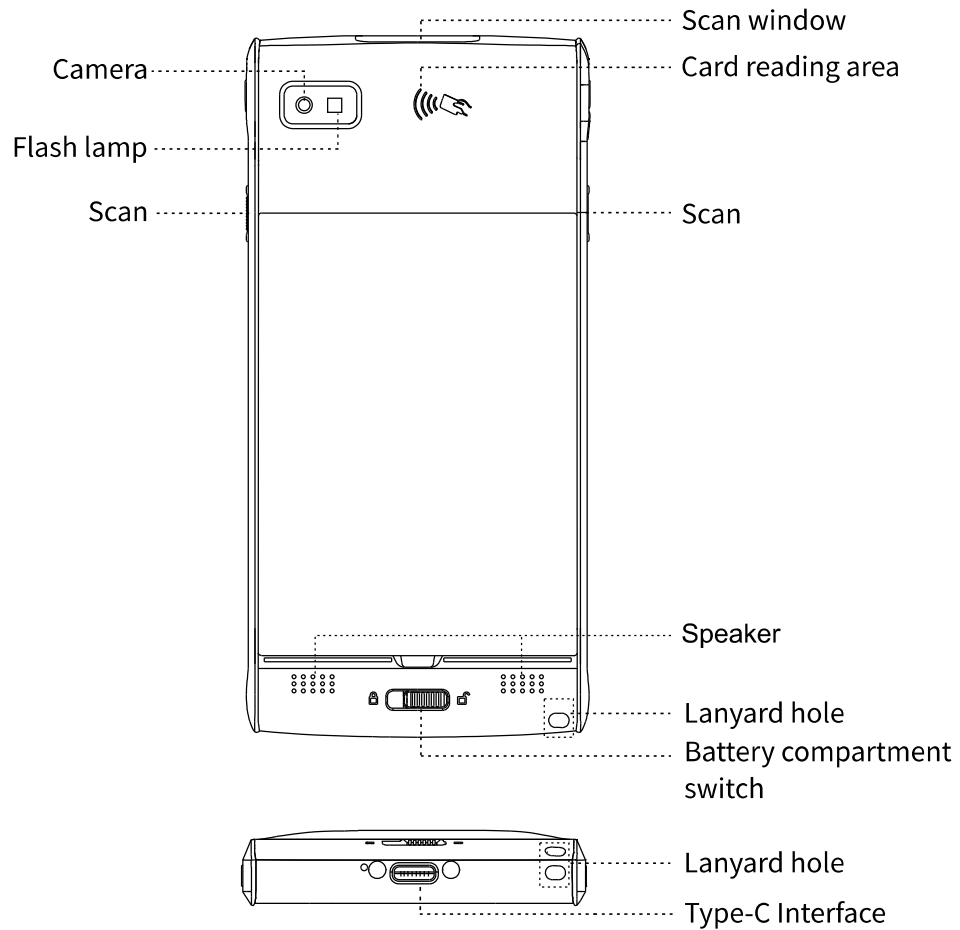
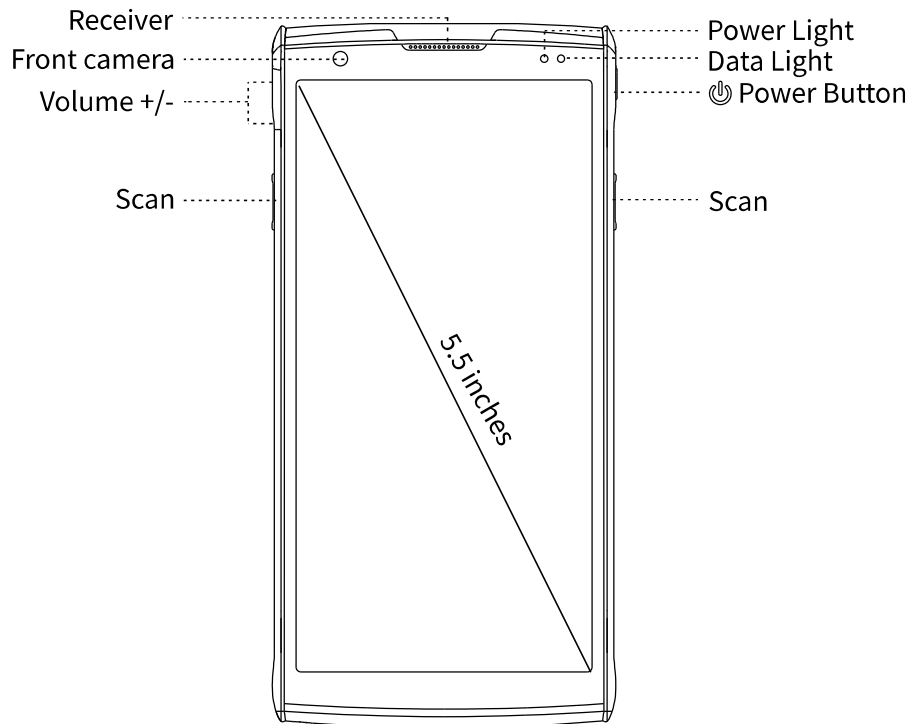


# OVERVIEW



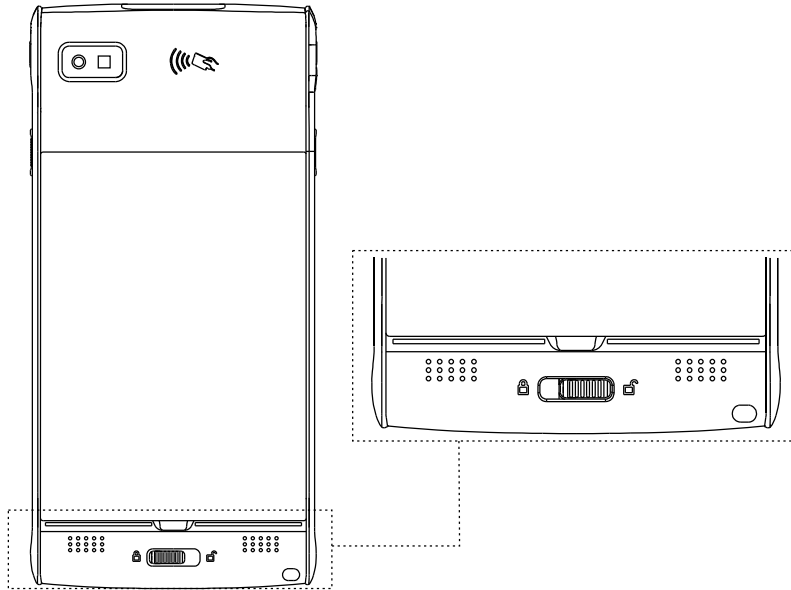
## Hot button

Screen capture : "power" + "Volume -"

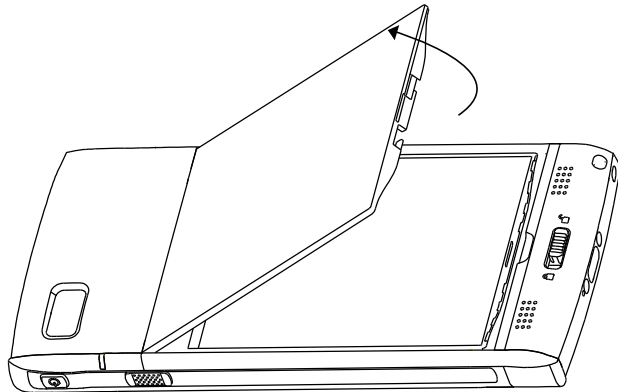
# OPEN THE BATTERY COVER

---

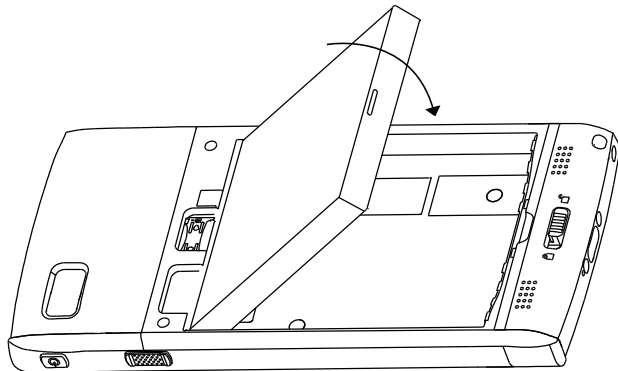
1. Slide the battery compartment switch to the right.



2. Pry and open the battery cover by hand.



3. Place the upper end of the battery on the contact pins in battery compartment, then press down the bottom of battery.

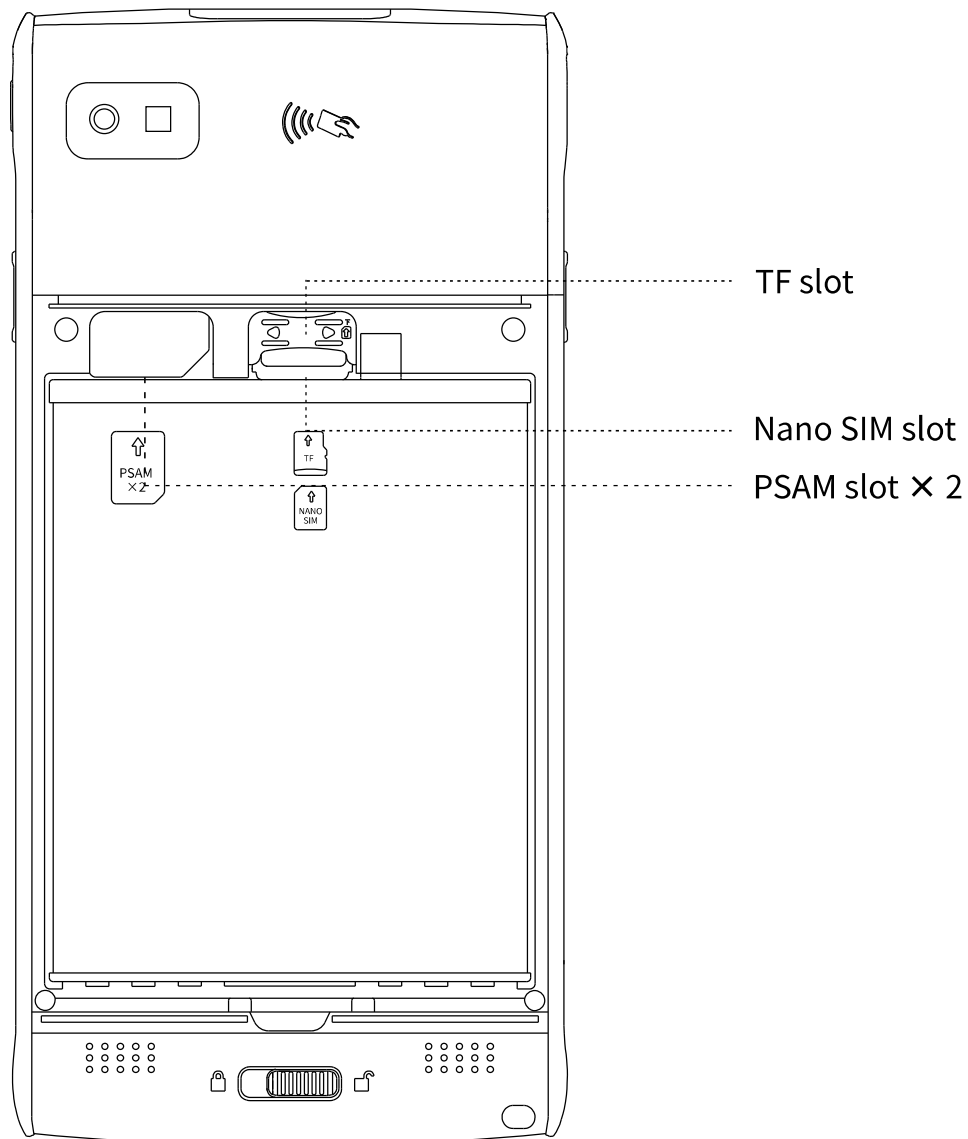


\* Please remove the positive and negative insulation yellow sticker on the battery before turning on the device.

# INSTALL TF/SIM CARD

---

1. Pls insert the SIM card into the corresponding slots as shown in the figure below



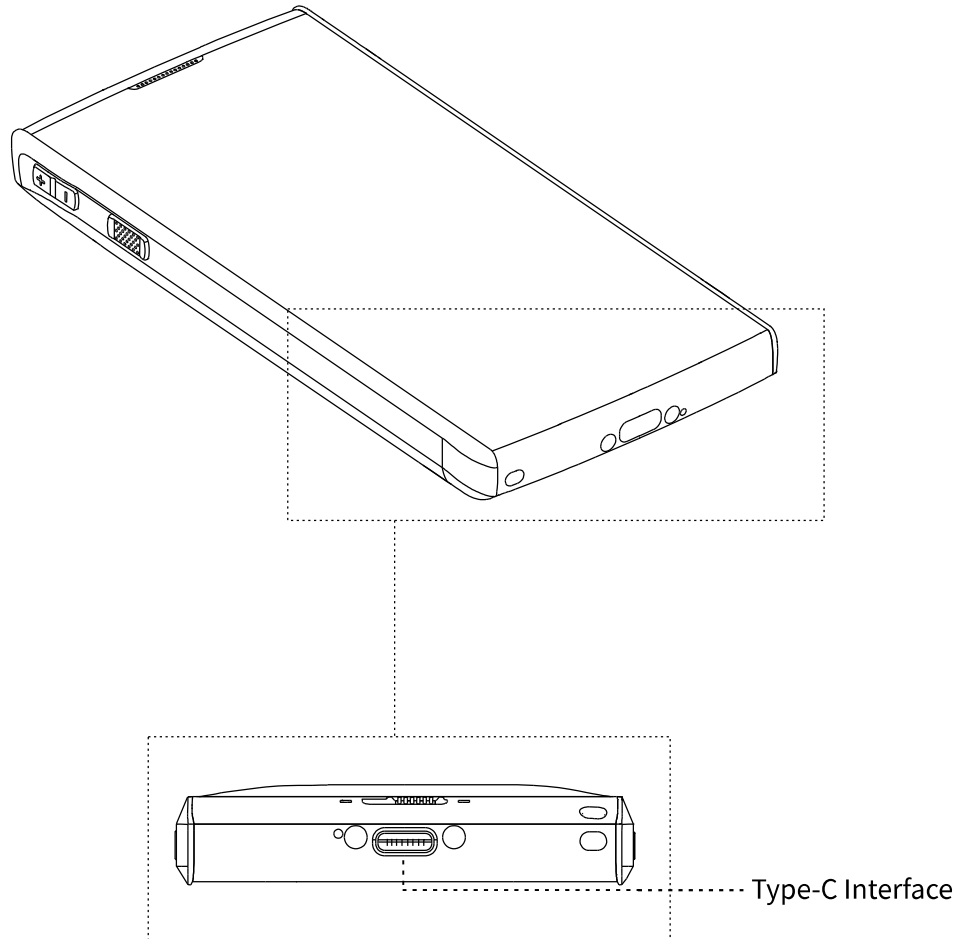
(Warm tips: The handheld terminal only supports Nano SIM card, standard SIM card slot is for PSAM card)

# EQUIPMENT CHARGING

---

## DEVICE CHARGING:

Connect the Type-C USB cable to type-C port to charge.



1.The battery can be fully charged after 2-3hours of charging,and the standby time is over 48 hours.

- \* To prevent the battery from being over-consumed, please charge the device when the battery power is less than 20%.If the battery has been in a over-consumption status, please charge the device for 20-30 minutes. Then it will display a normal charging status.

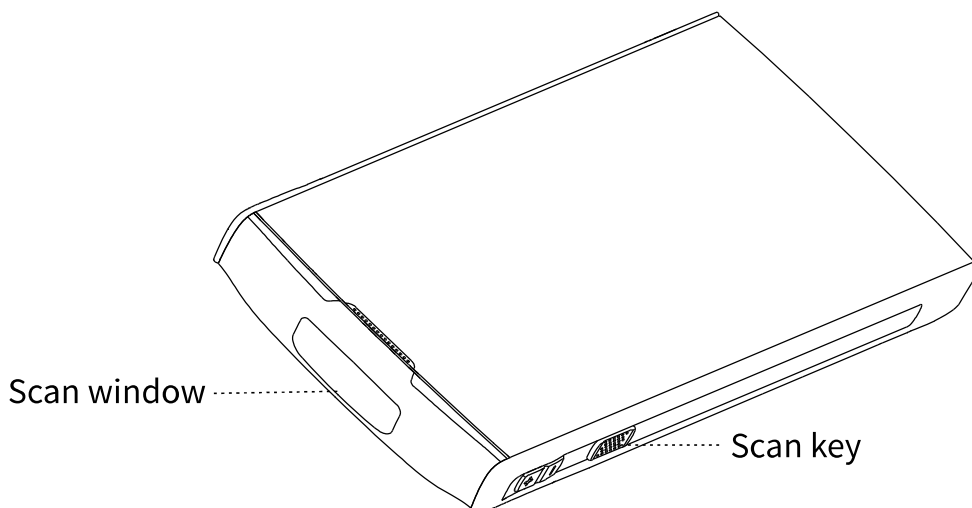
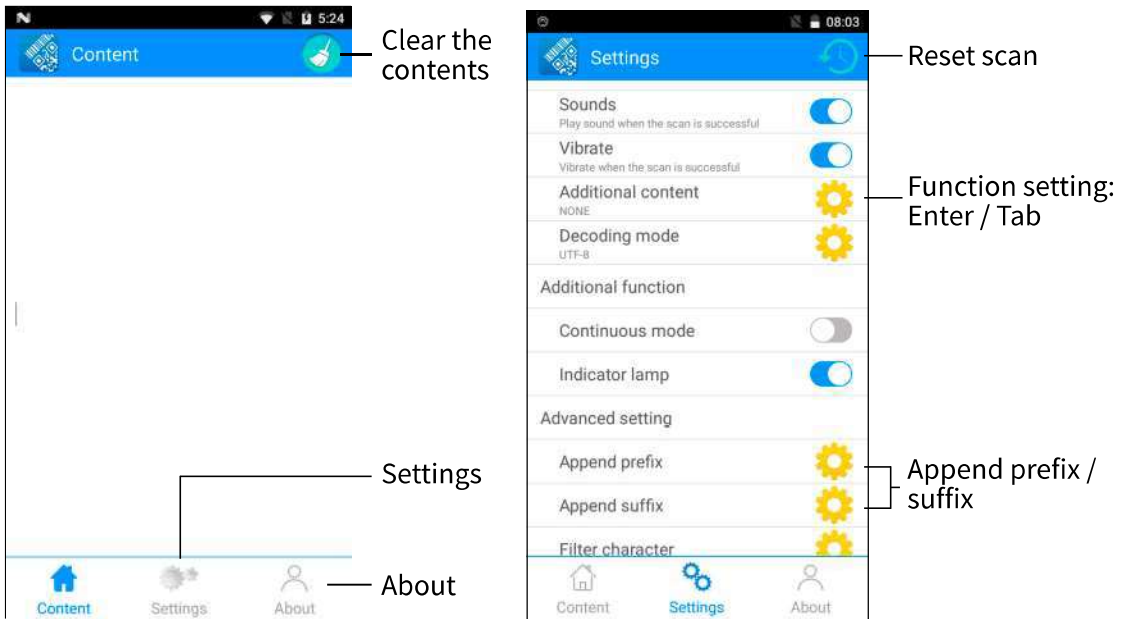
# SCAN (OPTIONAL)

IF YOUR PDA WITH SCAN FUNCTION, PLS OPERATE AS BELOW:

1. Pls find the “scanner” app, and open it. (As Pic 1)
2. In the interface of scan, press scan button to scan the barcode.



(As Pic 1)



# NFC

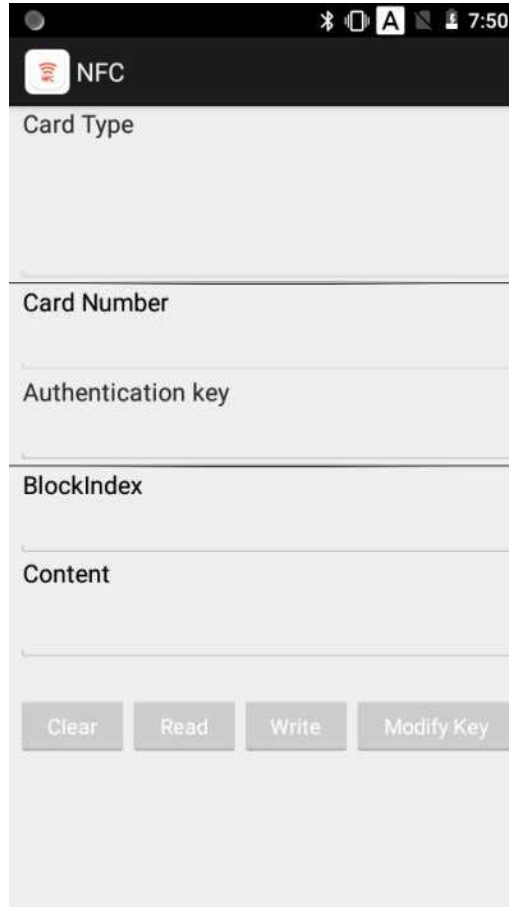
---

IF YOUR PDA WITH NFC FUNCTION, PLS OPERATE AS BELOW:

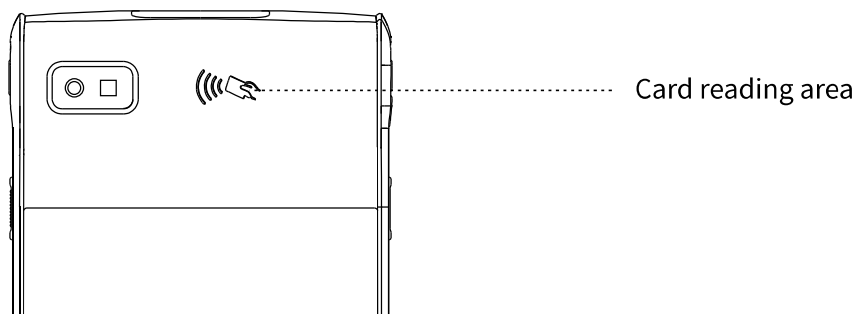
1. Pls find the “NFC” app, and open it.( As Pic 1)
2. In the interface of NFC, pls read the card in NFC reading area.



( As Pic 1)



( As Pic 2)

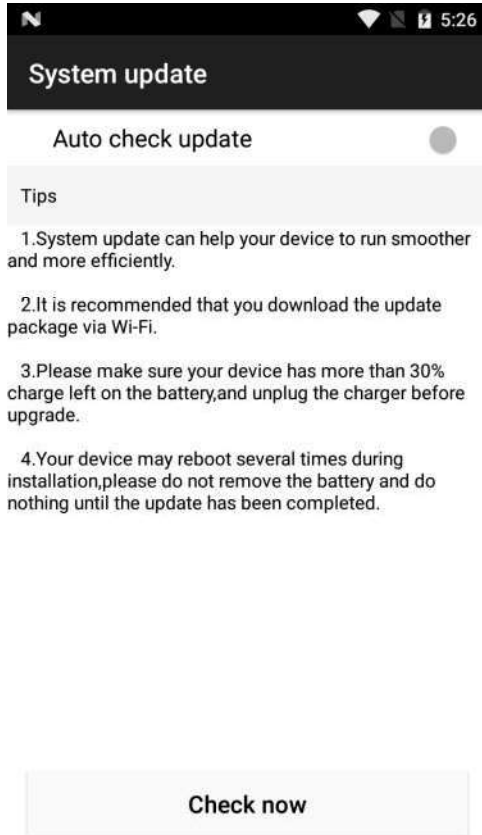


# OTA(UPDATE ONLINE)

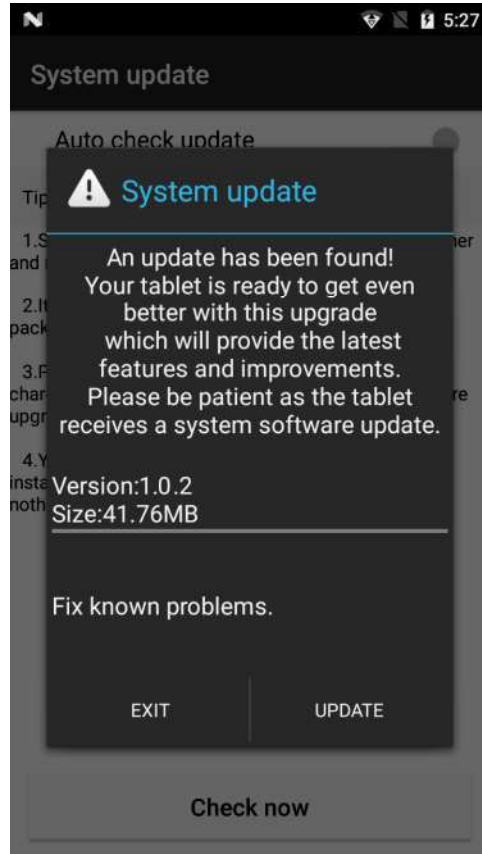
---

OUR PDA SUPPORT OTA (UPDATE ONLINE) FUNCTION, YOU CAN UPDATE THE LATEST FIRMWARE BY OTA, OPERATE IT AS BELOW:

- 1.Please click “Setting” → “System” → “About mobile phone” → “System update” ;
- 2.Press “System update” and enter into the updating firmware interface.
- 3.Press “Check now” to update the OS.



( As Pic 1)



( As Pic 2)

# FAQ:

---

## 1.How to restore factory settings?

Select “Setting” → “System” → “Reset option” → “Factory date reset”

## 2.Why can not open the PDA?

(1)If the new device does not turn on,please make sure the sticker on battery has been removed.

(2)Press the power button for 4s until the device screen starts to display and then release the power button.

(3)Pls check if the battery has power,put the battery into PDA and charge it,if the screen shows charging icon,charge the PDA for some time and restart it.

## 3.PDA can not connect to the PC?

If you connect the PDA with your PC ,no prompt messages,pls change another cable to test,if not work,pls change another pc.

## 4.When using scanner , there is no data but scan-light on,Why?

(1) Go to scan setting , and check “keyboard output” .

(2) If checked ,then pls reset the scan demo for twice , and operate “OFF” -- “ON” .

## 5.The device cannot scan the code.

(1) Check if each scan button can be used normally.

(2) Check if the scan engine supports the bar code.

(3) Check if the scanning lens and bar code is clear and unobstructed.

(4) Check the scan setting and reset .

## 6.The device can not charge.

(1) Check if the device adapter and charging port are good.

(2) If the device is not used for a long time, please keep it charged for 30 minutes. Then check whether the device lights on or not.

(3) Replace the battery of the device that can be turned on normally, check the problem on battery or device.

## 7.How to use the battery correctly?

The battery is Li-ion battery,If no power , pls immediately charger it, Don's keep the battery with full power or no power for long time,The best way is to keep 50% power of the battery to store it.And if you don't use the PDA for long time,pls pull out the battery from PDA and store it.