

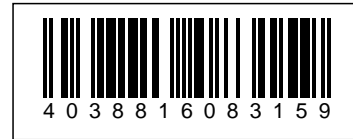


Part No.: 159711
Vendor Part No.: ALL-CAM2495-LVEF_Wallm_Juncti

ALLNET ALL-CAM2495-LVEFN zbh. Wallmount mit Junction Box



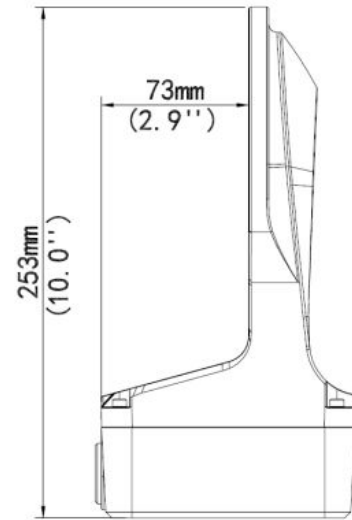
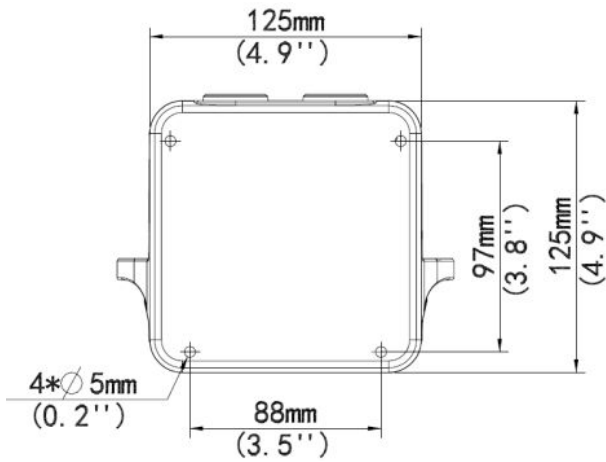
EAN CODE



Wallmount Installation with Junction Box (Extra back outlet for Cable)
253mmx125mmx125mm (10" x4.9" x4.9")

Bracket	ALL-CAM2495-LVEF_Wallm_Junction
Application	Outdoor, wall installation for 4-inch fixed dome(Extra back outlet)
Dimensions	253mmx125mmx125mm (10" x4.9" x4.9")
Weight	0.92kg(2.02lb)
Material	Aluminum alloy

Additional Images



Accessories

Part No.	Name
146999	ALLNET PoE USV Backup - USV für Kameras, Accesspoints ALL90011PoE