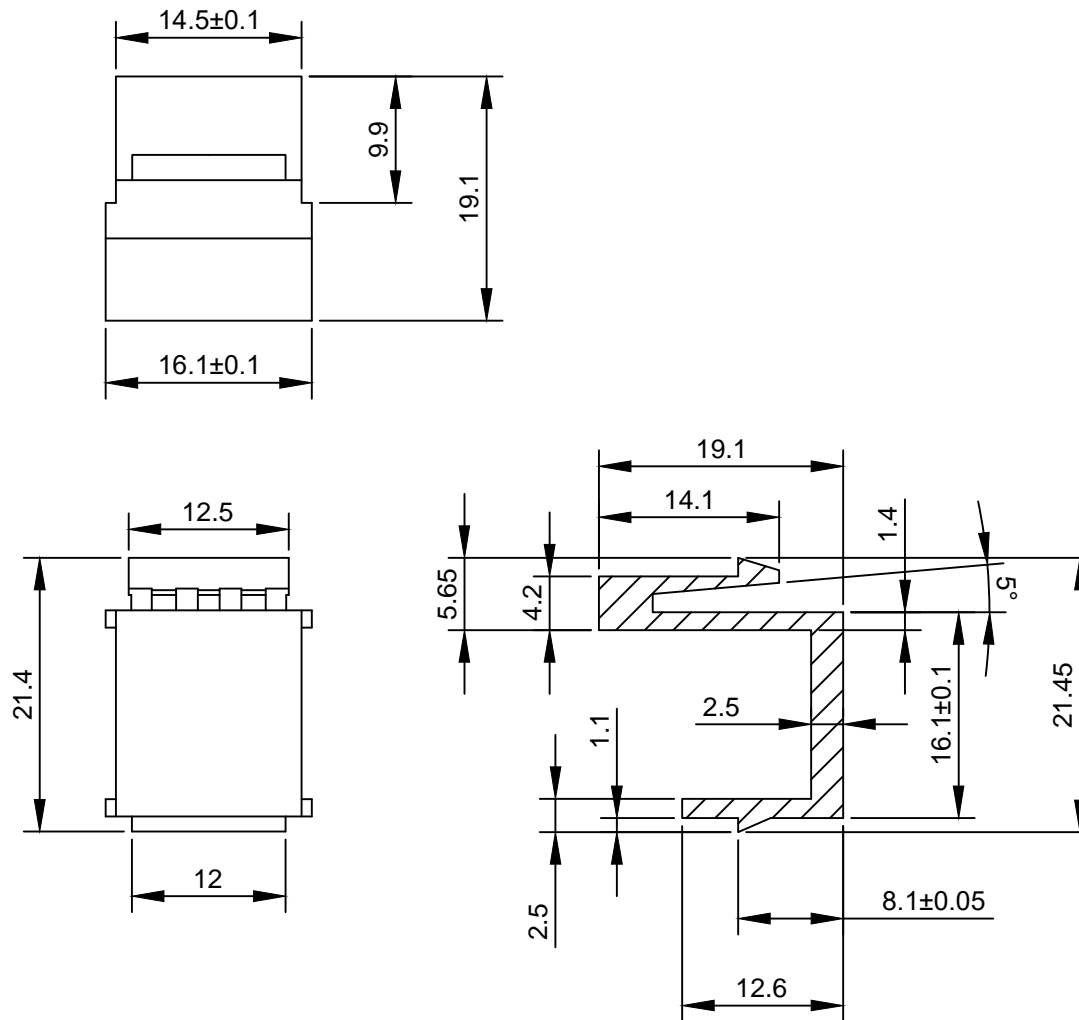


| | | | | |
|-----|----------------------|-------------------------------|--------------|--------|
| ③ | Screw | M5 | 1PCS | |
| ② | keystone Jack holder | Material:stainless steel | 1PCS | |
| ① | DIN Rail | Material:stainless steel | 1PCS | |
| NO. | PARTS NAME | SPECIFICATION STANDARD | QT' Y | REMARK |
| | | NEW | 2017. 04. 28 | A |
| BY | CHK | REVISION RECORD MODIFICATIONS | DATE | REV. |

| | | | | |
|-------------------|--|----------------------|--------------|---------|
| SYNERGY 21 | | | | |
| CUSTOMER | | ITEM NO. | S215486 | |
| PRODUCT NAME | 1port RJ45 keystone Jack holder for DIN Rail Metal | manufacture country: | CHINA | UNIT MM |
| DRAWNBY | CHECKBY | APPOBY | DATE | |
| SYNERGY 21 | SYNERGY 21 | SYNERGY 21 | 2017. 04. 28 | |

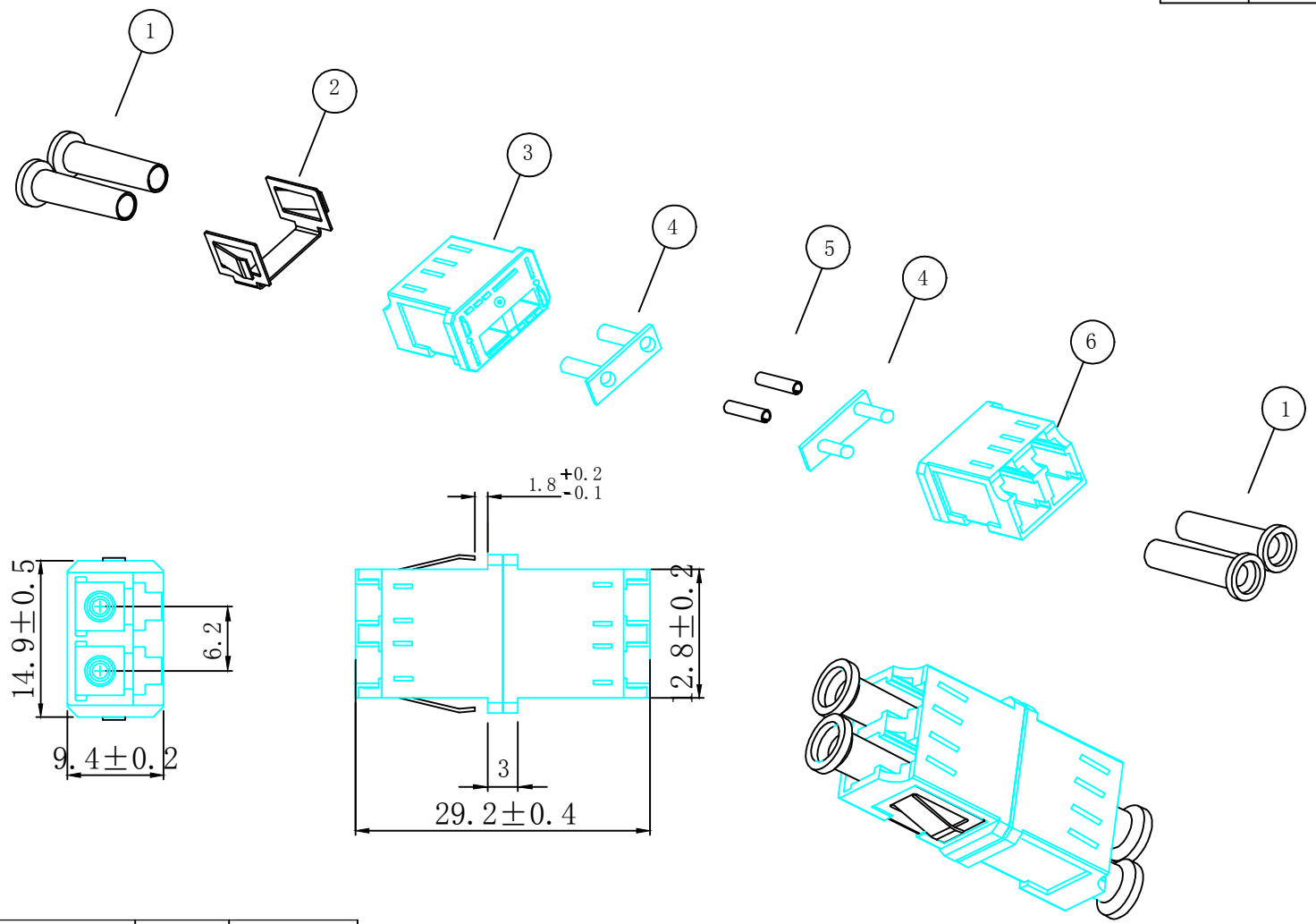


NOTES:

1. ABS Black
2. Packing: 1PCS/PE BAG+label
3. ROHS2.0 AND REACH COMPLIANT

| | | | | | |
|--------------|------------------------|----------------------|------------|------|----|
| SYNERGY 21 | | | | | |
| CUSTOMER | | ITEM NO. | S215490 | | |
| PRODUCT NAME | Keystone blind stopper | manufacture country: | CHINA | UNIT | MM |
| DRAWNBY | CHECKBY | APPOBY | DATE | | |
| SYNERGY 21 | SYNERGY 21 | SYNERGY 21 | 2017-05-03 | | |

| | | | | |
|----|-----|-------------------------------|------------|------|
| | | NEW | 2017-05-03 | A |
| BY | CHK | REVISION RECORD MODIFICATIONS | DATE | REV. |



NOTE:
RoHS 2.0 & Reach COMPLIANT

| | |
|-----------------------------|----------|
| Insertion Loss(dB) | ≤0.20 |
| Operating Temperature(° C) | -40 ~+80 |
| Storage Temperature(° C) | -40 ~+85 |

MATERIAL LIST:

| | | | |
|---|---|------|--|
| ⑥ | LC Aqua Plastic body (SC simplex footprint) | 1pcs | |
| ⑤ | LC Sleeve ceramic (Multi-Mode) | 1pcs | |
| ④ | Aqua bush | 2pcs | |
| ③ | LC Aqua Plastic body (SC simplex footprint) | 1pcs | |
| ② | LC Metal Mount | 1pcs | |
| ① | LC White Dust Cap | 4pcs | |

Chart:

| NO. | ITEM NO. | EAN Number |
|-----|----------|---------------|
| 1 | S215481 | 4038816064554 |

| NO. | SPECIFICATION STANDARD | QT' Y | REMARK |
|-----|------------------------|-------------------------------|--------|
| | | | |
| BY | CHK | REVISION RECORD MODIFICATIONS | |

| SYNERGY 21 | | | | | | | |
|--------------|--|---------------------|------------|-----------|---------------|--|--|
| CUSTOMER | | | | ITEM NO. | See the chart | | |
| PRODUCT NAME | LC MM Aqua (ceramic) Duplex Plastic Adapter (SC SX Footprint) w/o flange | manufacture country | CHINA | UNIT | MM | | |
| | DRAWNBY | CHECKBY | APPOBY | DATE | | | |
| | SYNERGY 21 | SYNERGY 21 | SYNERGY 21 | 2017-4-25 | | | |

| | | | | |
|--|--|-----|-----------|------|
| | | NEW | 2017-4-25 | A |
| | | | DATE | REV. |