

## ALLNET Switch unmanaged outdoor accessories Pole Mount

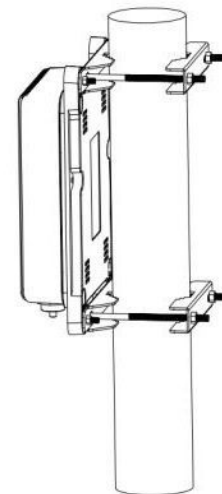
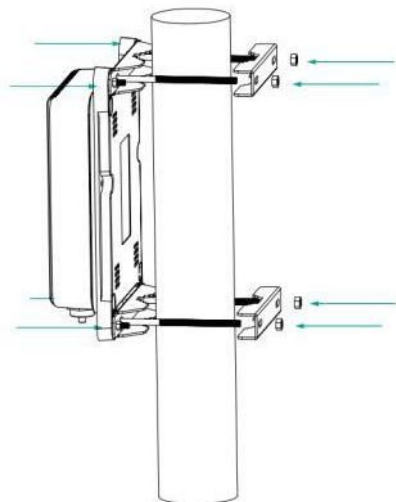


### EAN CODE



Outdoor installation Kit(Pole mounting)  
Mini Pole diameter:25mm(1 inch)  
Max Pole diameter:101.6mm(4 inch)

## Additional Images





Part No.: 191672  
Vendor Part No.: ALL-SGO83-Pole-Kit

## Accessories

Part No.	Name
180817	ALLNET Switch unmanaged outdoor 3 Port Gigabit 100W / 3x PoE+ / 1x SFP / Lüfterlos / IP66 / "ALL-SGO8103P"