



ALL1688PC

Passive Power Line

Phase Coupler (DIN Rail Version)



User Manual

Legal Notice

2022 © All rights reserved.

No part of this document may be reproduced, republished, or retransmitted in any form or by any means whatsoever, whether electronically or mechanically, including, but not limited to, by way of photocopying, recording, information recording, or through retrieval systems without the express written permission. We reserve the right to revise this document at any time without the obligation to notify any person and/or entity. All other company or product names mentioned are used for identification purposes only and may be trademarks of their respective owners.

LIMITATION OF LIABILITY AND DAMAGES

THE PRODUCT IS PROVIDED "AS IS," BASIS. THE MANUFACTURER AND MANUFACTURER'S RESELLERS (COLLECTIVELY REFERRED TO AS "THE SELLERS") DISCLAIM ALL WARRANTIES, EXPRESS, IMPLIED OR STATUTORY, INCLUDING WITHOUT LIMITATION THE IMPLIED WARRANTIES OF NON- INFRINGEMENT, MERCHANTABILITY OR FITNESS FOR A PARTICULAR PURPOSE, OR ANY WARRANTIES ARISING FROM COURSE OF DEALING, COURSE OF PERFORMANCE, OR USAGE OF TRADE. IN NO EVENT WILL THE SELLERS BE LIABLE FOR DAMAGES OR LOSS, INCLUDING BUT NOT LIMITED TO DIRECT, INDIRECT, SPECIAL WILLFUL, PUNITIVE, INCIDENTAL, EXEMPLARY, OR CONSEQUENTIAL, DAMAGES, DAMAGES FOR LOSS OF BUSINESS PROFITS, OR DAMAGES FOR LOSS OF BUSINESS OF ANY CUSTOMER OR ANY THIRD PARTY ARISING OUT OF THE USE OR THE INABILITY TO USE THE PRODUCT OR THE SOFTWARES, INCLUDING BUT NOT LIMITED TO THOSE RESULTING FROM DEFECTS IN THE PRODUCT OR SOFTWARE OR DOCUMENTATION, OR LOSS OR INACCURACY OF DATA OF ANY KIND, WHETHER BASED ON CONTRACT, TORT OR ANY OTHER LEGAL THEORY, EVEN IF THE PARTIES HAVE BEEN ADVISED OF THE POSSIBILITY OF SUCH DAMAGES. THE ENTIRE RISK AS TO THE RESULTS AND PERFORMANCE OF THE PRODUCT OR ITS SOFTWARE IS ASSUMED BY CUSTOMER. BECAUSE SOME STATES DO NOT ALLOW THE EXCLUSION OR LIMITATION OF LIABILITY FOR DAMAGES, THE ABOVE LIMITATION MAY NOT APPLY TO THE PARTIES. IN NO EVENT WILL THE SELLERS' TOTAL CUMULATIVE LIABILITY OF EACH AND EVERY KIND IN RELATION TO THE PRODUCT OR ITS SOFTWARE EXCEED THE AMOUNT PAID BY CUSTOMER FOR THE PRODUCT.

Table of Contents

Features	4
Specifications	4
Installation	5
Usage of the LX terminal	6
Safety Warnings & CE	7

Features

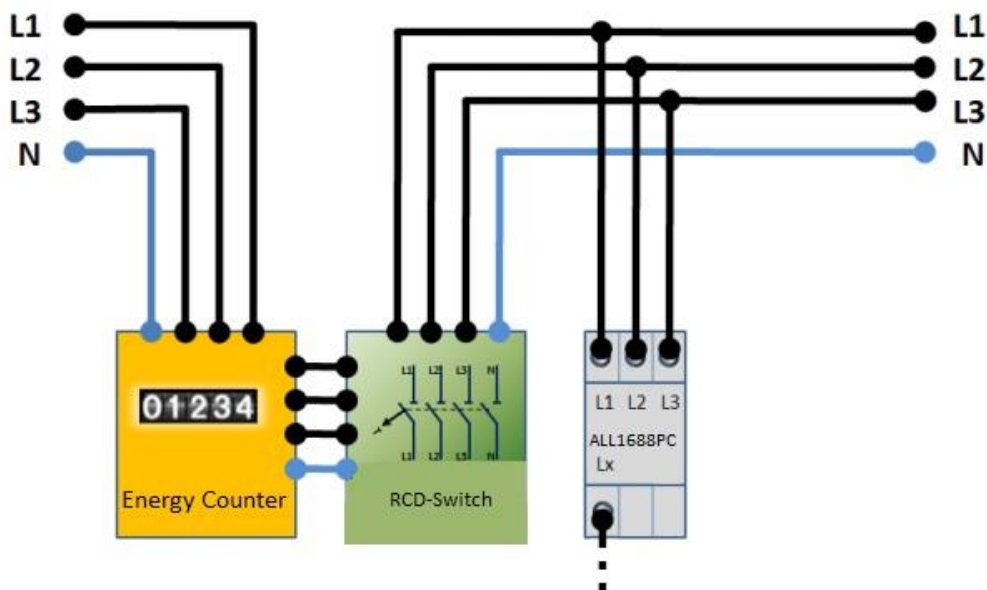
A passive phase coupler is a device which has been designed and manufactured for the purpose of transferring PLC signals from one phase to another.

Specifications

- Transfers PLC signal across the different phases in a 3 phase power system.
- Home Plug Devices connected in different phases can now communicate with each other.
- Compatible with DIN Rail mounting.
- Easy Installation.
- Coupling frequency range especially designed for powerline communication (HomePlug and HomePlugAV standards).
- Low attenuation of HomePlug frequency range.
- Compatible with all brands of HomePlug & HomePlugAV devices.
- Usage in power systems with up to 440V AC voltage and 50/60Hz line frequency (3-phase).

Installation

Successful use of the phase coupler requires proper installation, operation and maintenance. The device must be installed behind the energy-counter and RCD-switches as shown in the following picture:



Note:

The terminal „LX“ must **NOT** be connected in a standard powerline installation. If in doubt, please ask the ALLNET technical support or download additional information about PLC phase couplers from the download-area of the ALLNET website.

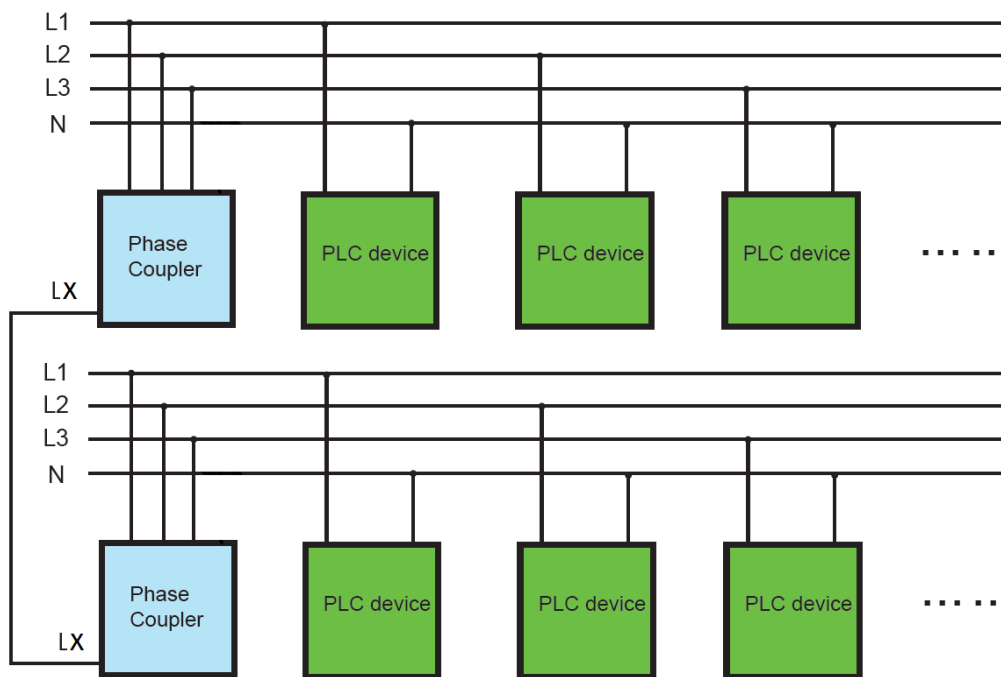
The LX connector must not be used to bypass Fi circuit breakers or electricity meters under any circumstances. Use the ALL16881PC for this purpose.

Usage of the LX terminal

In case that you need to couple the PLC-signal on more than 3 phases, you may connect 2 phase-couplers with each other by connecting the LX-terminals of the two devices with a short wire.

However, this is **ONLY** allowed within one power-installation and not to connect i.e. two different buildings with separate energy-counters !

Also the PLC-signal will get weaker, the more electrical cable length is connected to the PLC-network. This causes less signal level on the PLC-devices and can result in lower connection speed.



Connection Diagram

If in doubt please call ALLNET technical support before you plan or install this kind of connection as there are alternatives existing that may give you better results.

Safety Warnings

Failing to meet fundamental installation and maintenance requirements may cause personal injury as well as damage to electrical equipment or other property. Only experienced personnel should install, operate and maintain the phase coupler. The installation must follow all local and national electrical codes to ensure safe installation.

We recommend that the installation is performed by a qualified electrician.

CE

ALLNET GmbH Computersysteme declares that the device **ALL1688PC** is in compliance with the essential requirements and other relevant provisions of Directive 2014/30/EU. The Declaration of conformity can be found under this link: <http://ce.allnet.de/>

ALLNET GmbH Computersysteme
Maistrasse 2
82110 Germering

Tel.: +49 (0)89 894 222 - 22
Fax: +49 (0)89 894 222 - 33
Email: info@allnet.de