



## **ALL-SG08103P**

Outdoor Unmanaged Switch  
With 3 PoE Ports and 1 SFP-Slot



## **USER MANUAL**

# Introduction

The ALLNET Switch ALL-SGO8103P is a 3 + 1 ports outdoor PoE Switch. It can provide power and data connectivity for four powered devices and connect them to the network via its SFP port. The ALL-SGO8103P supports 10/100/1000Mbps data rates and it is powered via wide-range AC input (100-240VAC). The ALL-SGO8103P is IP67 rated and has an extended temperature range so it can be installed in an outdoor environment.

In a typical installation the ALL-SGO8103P will provide power to three outdoor devices such as wireless APs, network camera, VoIP phone, base stations, and other high power Ethernet terminals.

# Hardware Description

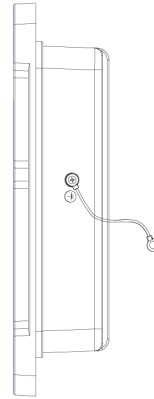
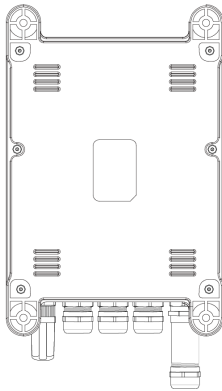
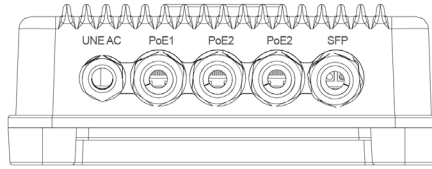
The ALL-SGO8103P Switch provides fixed port configurations. This Switch provides one copper optical port for SFP and up to three copper PoE ports for downstream connectivity.

The ALL-SGO8103P switch can be either wall or pole mounted.

The ALL-SGO8103P switch provides the following hardware features:

- One optical GE ports
- Three copper PoE 10/100/1000BASE-T ports
- Three 30W PoE copper Ports
- Fan-less passively-cooled design
- AC input
- IP-67 enclosure
- Three Copper cable glands
- One Fiber cable gland + cable gland extender
- Four ports cable gland caps
- Mechanical mounting KIT option to enable pole mounting (Optional, sold separately)

# Mechanical View



## Installation

**Note** Before mounting the ALL-SGO8103P to a fixed location:

To insure weather-proof connection and in order to meet IEC60529 level IP67, ALL-SGO8103P AC power plug needs to be connected to a weather-proof AC power source box.

There is no "On-Off" switch; simply plug the ALL-SGO8103P into an AC main power source.

ALL-SGO8103P AC power lines shall be connected to the socket-outlet that shall be installed near the equipment and shall be easily accessible.

**Warning** Earth ground screw must be connected to Earth ground in all types of installations

# Installation Options for the ALL-SGO8103P

The following two sections describe installation options.

## Wall Installation

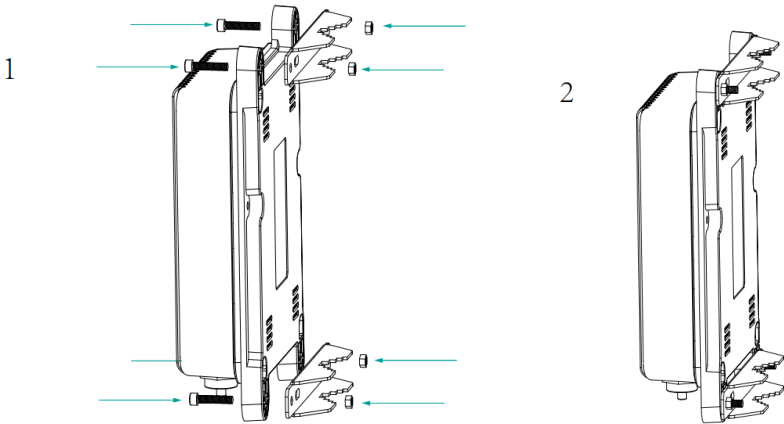
ALL-SGO8103P unit can be mounted on a wall/bench (all kind of flat surfaces: wood, brick, concrete etc.) using the mounting holes.

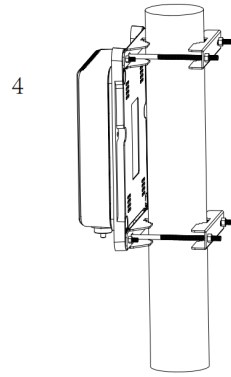
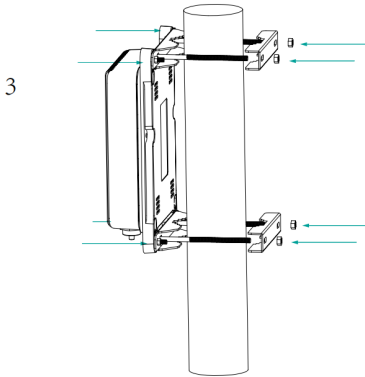
Fasten the ALL-SGO8103P using four screws.

## Poll Installation

By using optional mount kit. Pole installation using optional mount kit.

**Caution!** Mounting bracket must be connected to earth ground!





- (1) Using 4pcs M5\*25 screw and M nut to mount 2 big bracket to the back of product.
- (2) The drawing for finished mounting big bracket.
- (3) Using 4pcs M6\*120 screw and M6 nut and 2 small bracket to mount the product to suitable pole.
- (4) The drawing for finished mounting to a pole.

## Connecting Network Cables

This section describes how to connect the following ALL-SGO8103P

### Connecting Gigabit Ethernet Cable

**Note** The ALL-SGO8103P **is not** shipped with Ethernet cable and RJ45 male connectors.

**Step 1** Unlock the metal gland from the ALL-SGO8103P unit by turning counterclockwise. Keep the dust cap for future use.

© ALLNET GmbH Computersysteme 2022– All rights reserved

Errors and changes reserved

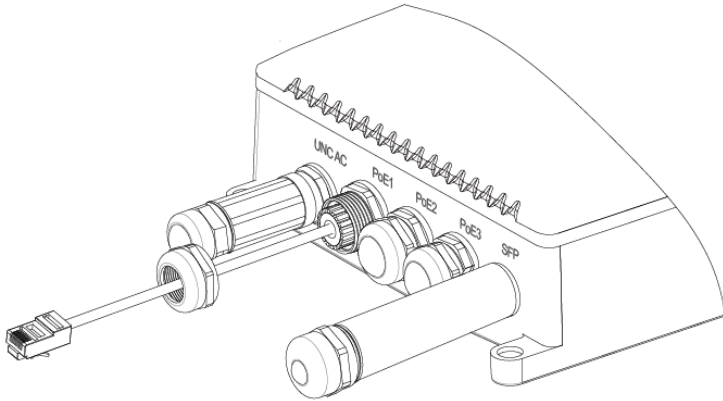
**Note** Four waterproof cable glands sets covers are supplied with the ALL-SGO8103P.

**Step 2** Insert the metal gland, rubber seal and pressure fingers to the Ethernet cable in this order

**Note** Make sure using the correct order and direction.

See **Step 3** picture.

**Step 3** Insert the rubber seal into the pressure fingers



**Step 4** Connect the RJ45 connector into the RJ45 socket until the snaps are in place.

**Step 5** Connect the RJ45 connector into the RJ45 socket until the snaps are in place.

**Step 6** Turn clockwise the metal gland into the ALL-SGO8103P. Use 7.5Nm torque.

**Note** For easier installation, start port number 1 assembly (**PoE 1**) first and keep the SFP port to be connected last.

## Connecting Fiber Optic Cable

Connect "SFP" jack (input) to the remote Ethernet network and "PoE" jack (output) to the terminal.

Verify connection to main AC power.

**Tip** For easier installation, start port number 1 assembly (**PoE 1**) first and keep the SFP port to be connected last.

**Note** For non AF/AT compliant unit - use a splitter; ensure splitter is connected close to the terminal and not on the Switch.

## Safety Information

Installation and removal of the ALL-SGO8103P must be carried out by qualified personnel only.

The ALL-SGO8103P "PoE" ports are shielded RJ45 data sockets. They cannot be used as Plain Old Telephone Service (POTS) sockets. Only RJ45 data connectors can be connected to these sockets.

Follow basic electricity safety measures whenever connecting the ALL-SGO8103P to its power source.

A voltage mismatch can cause equipment damage and may pose a fire hazard. If the voltage indicated on the label is different from the power outlet voltage, do not connect the ALL-SGO8103P to this power outlet!

All wiring and connections shall be in accordance with NFPA 70 (NEC)

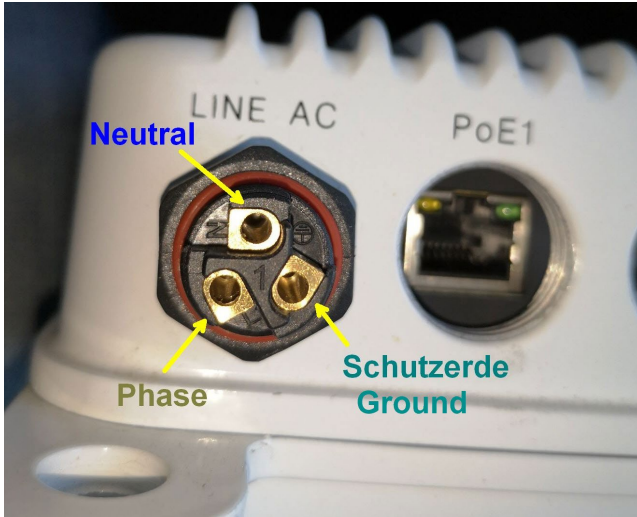
This product is not intended to become a permanent part of the building structure.

Power supply cord must not be attached to the building surface or run through walls, ceilings, floors and similar openings in the building structure.

Measures must be taken to prevent physical damage to the power supply cord, including proper routing.

## WARNING

1. Do not use a cross-over cable between the ALL-SGO8103P output port and load device
2. Take extra care when connecting the AC power, so that 'N', 'L' and 'Ground', are connected to the proper polarity. (Important the screws must be unscrewed to see the labeling of the poles)
3. Ensure the AC power is within the allowed range.
4. Connection picture AC input (Line AC labeled on switch).





ALLNET GmbH Computersysteme declares that the device **ALL-SGO8103P** is in compliance with the essential requirements and other relevant provisions of Directive 2014/30/EU. The Declaration of conformity can be found under this link:  
<http://ce.allnet.de>

ALLNET GmbH Computersysteme  
Maistrasse 2  
82110 Germering

Tel.: +49 (0)89 894 222 - 22  
Fax: +49 (0)89 894 222 - 33  
Email: [info@allnet.de](mailto:info@allnet.de)



### **Safety Warnings**

For your safety, be sure to read and follow all warning notices and instructions.

- Do not open the device. Opening or removing the device cover can expose you to dangerous high voltage points or other risks. Only qualified service personnel can service the device. Please contact your vendor for further information.
- Do not use your device during a thunderstorm. There may be a risk of electric shock brought about by lightning.
- Do not expose your device to dust or corrosive liquids.
- Make sure to connect the cables to the correct ports.