

ALLNET ALL1688PC / Powerline phase coupler 3 phases (1~70MHz)

>>> [Vers l'article de la boutique en ligne](#)



EAN CODE



Phase coupler for power line networks for installation in the fuse box (top-hat rail).

Highlights:

- 3-phase version
- Frequency range 1-70 MHz
- AC 250 / 440 V, 4 x 22nFX2, 3-phase
- CE approved
- installation width: 34mm
- Installation depth: 70mm max.

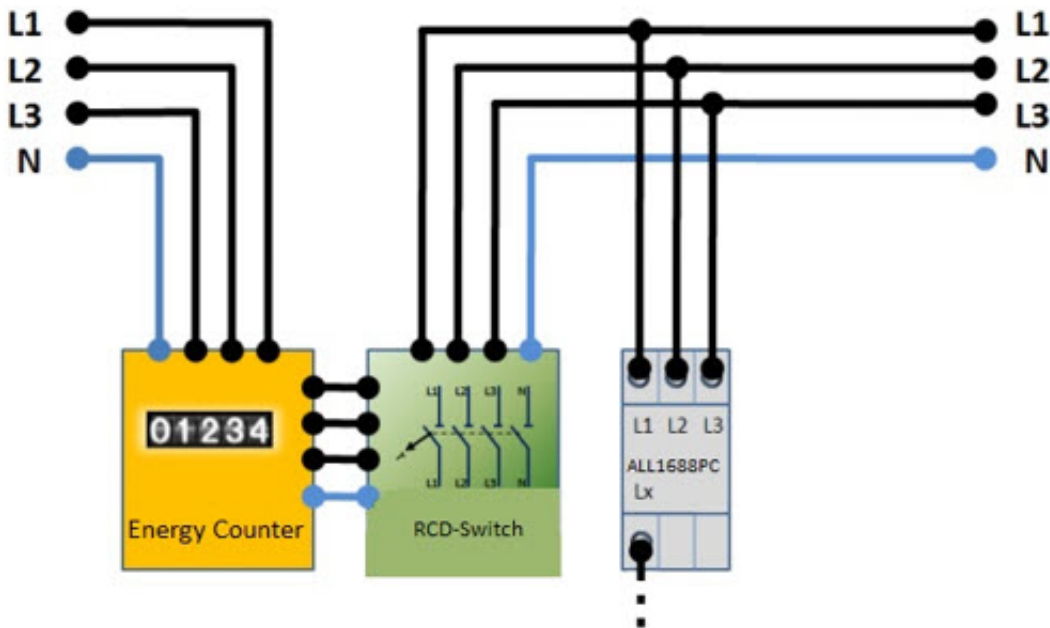
Interconnects all phases/Phase coupler of the home power system and makes the powerline signal available on all outlets in a circuit.

For coupling between sub-distribution boards or across RCDs and electricity meters, only ALL16881PC (Art. 112411) may be used!

Attention. This article must only be installed by authorised and qualified persons.

Installation

Successful use of the phase coupler requires proper installation, operation and maintenance. The device must be installed behind the energy-counter and RCD-switches as shown in the following picture:



Technical Details:

Frequency Range:	0-70Mhz
Nominal Voltage:	AC 250/440V 4x22nFX2, 3 phase
Temperature Range:	-25°C - 100°C
Installation width:	34mm
Installation depth:	70mm max.
Mounting:	DIN rail mounting
Mark:	CE



No. d'article: 90246
Numéro de fabricant: ALL1688PC

Accessoires

No. d'article	Désignation
65447	ALLNET Powerline Filtre bloquant 2,0-40 Mhz 16 A
65448	ALLNET Powerline filtre bloquant 2,0-40 Mhz 25 A
112411	ALLNET ALL16881 / Powerline Phasenkoppler/Signalbrücke 3 Pha
137500	ALLNET ALL1681211 / 1200Mbit HomePlugAV2 MIMO mit WiFi AC
139669	ALLNET ALL1681203 / 1200Mbit HomePlugAV2 PoE IEEE802.3at
165177	ALLNET Powerline Blocking Filter 2-68Mhz 16 A Ground Contact