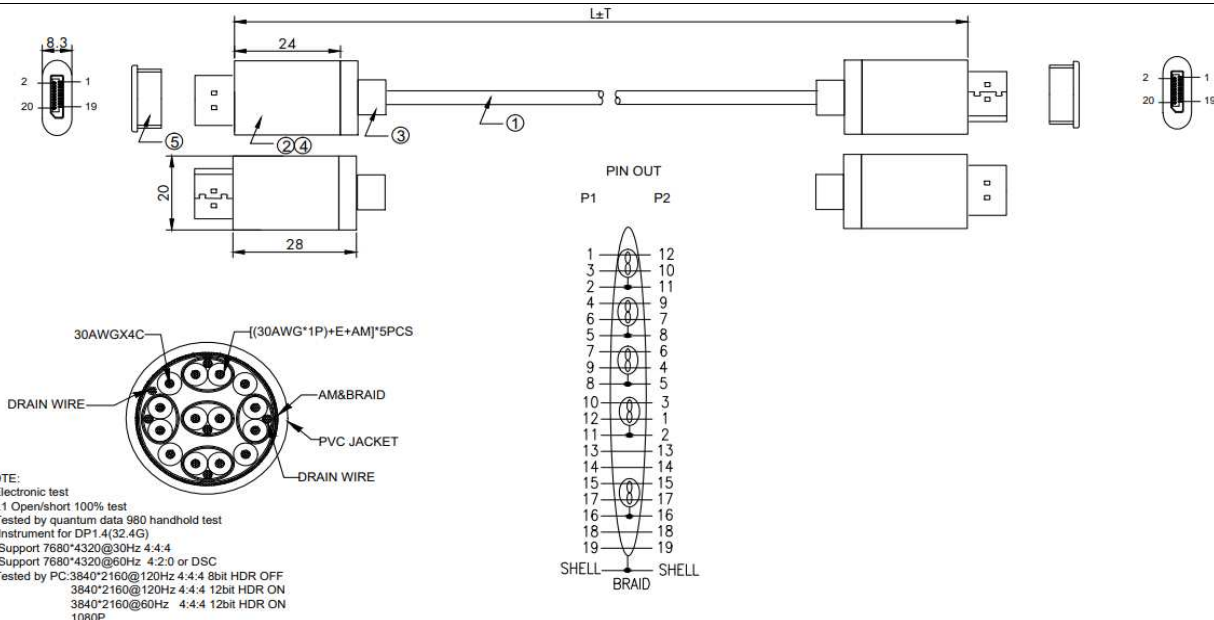


	REVISED	DR	APP



NOTE:
 1. Electronic test
 1.1 Open/short 100% test
 2. Tested by quantum data 980 handheld test
 Instrument for DP1.4(32.4G)
 Support 7680*4320@30Hz 4:4:4
 Support 7680*4320@60Hz 4:2:0 or DSC
 3. Tested by PC:3840*2160@120Hz 4:4:4 8bit HDR OFF
 3840*2160@120Hz 4:4:4 12bit HDR ON
 3840*2160@60Hz 4:4:4 12bit HDR ON
 1080P

RoHS2.0(2011/65/EU)

ITEM NO.	LENGTH
03-20025	1000±20
03-20155	1500±20
03-20035	2000±20
03-20045	3000±30
03-20055	5000±50

- Connections: DisplayPort plug to DisplayPort plug
- Resolution up to: 8K (60Hz), 5K (120Hz), 4K2K (240Hz)
- Supports color sampling in 4:4:4, 4:2:2 and 4:2:0 format
- Supports: HDR10, HDCP 2.2, HDCP 2.3, HDCP 1.4, 3D, Adaptive Sync, DSC, HBR3
- max. Bandwidth: 32.4 Gbps
- DisplayPort Version: 1.4
- Backwards compatible Versions: 1.3, 1.2 and 1.1

- Number of shieldings: 3
- Wire material: copper
- Plug: moulded
- DP-plug with out snap in latch
- Plug material: CuZnNi, gold plated
- Contact surface: gold-plated pins
- Plug cover: metal, ALU

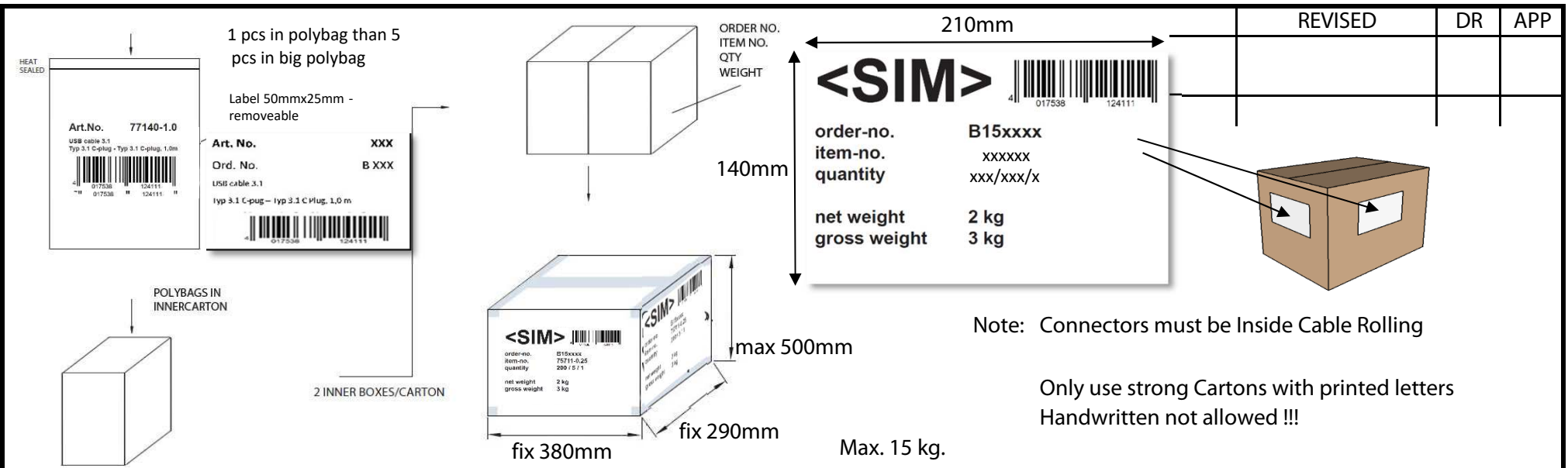
- Cable type: round cable
- Material cable sheath: "Highflex" PVC
- Cable sheath diameter (ca.): 6.0mm
- Color: blue

⑤	DUST COVER	TRANSPARENT PE
④	OUTER MOLD	ALUMINIUM/SILVER
③	BOOT	PVC/BLACK
②	DP MALE	DP20PIN MALE, WITH LOCK, RED INSULATION, GOLD PLATED PIN, GOLD PLATED SHELL
①	CABLE	DP1.4 CABLE: (30AWG/1 Copper*1P+E+AM)*5+30AWG/1 Copper*4+AL-FOIL+E+AL-MG BRAID, JACKET: PVC/DARK BLUE, OD: 6.0±0.2mm
NO.	PART NAME	DESCRIPTION

NO PICTURE AND COLORS CAN DIFFER FROM THE PRODUCT!



DESCRIPTION		HOME CINEMA DP 1.4 CONNECTING CABLE					
SIZE	A4	DATE	17.08.2021	CHECKED		TOL	03-20025
UNIT	MM	DRAWN	R.Hueller	APPROVED			
CUSTOM TARIF NO.: 854442909000							



Note: Connectors must be Inside Cable Rolling

Only use strong Cartons with printed letters
Handwritten not allowed !!!

Max. 15 kg.

ART.NO.	LENGTH	ROLLING SIZE	NET.WEIGHT (g)	PACKING	EAN CODE
03-20025	1.0m	155x140x20mm	60g	100 EXP / 50 INNER - 5/1 in pb with sticker	4017538134714
03-20155	1.5m	160x140x20mm	80g	80 EXP / 40 INNER - 5/1 in pb with sticker	4017538134721
03-20035	2.0m	145x145x30mm	100g	60 EXP / 30 INNER - 5/1 in pb with sticker	4017538134738
03-20045	3.0m	160x140x30mm	150g	50 EXP / 25 INNER - 5/1 in pb with sticker	4017538134745
03-20055	5.0m	150x150x40mm	210g	30 EXP / 15 INNER - 5/1 in pb with sticker	4017538134752

DESCRIPTION		HOME CINEMA DP 1.4 CONNECTING CABLE				
SIZE	A4	DATE	17.08.2021	CHECKED		TOL
UNIT	MM	DRAWN	R.Hueller	APPROVED		
CUSTOM TARIF NO.: 854442909000						
03-20025						