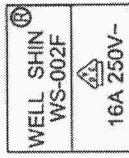
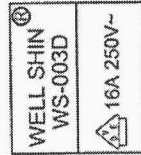


MARKING:



MARKING:



ITEM	DESCRIPTION	COLOR	QTY
①	WS-003D, APPROVAL : VDE	BLACK	1
②	WS-002F, APPROVAL : VDE	BLACK	1
③	H05VV-F 3G 1.50MM ² , APPROVAL : VDE, F.I, D, N, S, SEV, SAA	BLACK	1
④	CABLE TIE		1

TOLERANCES ±0.25

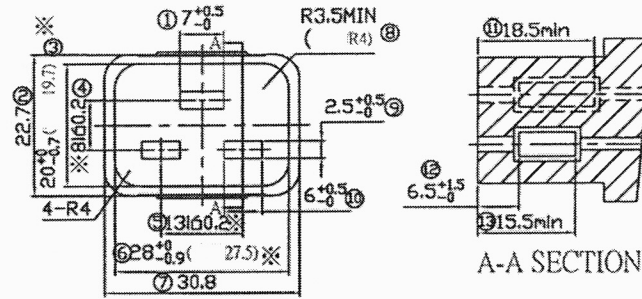
UNIT mm

RoHS COMPLIANT

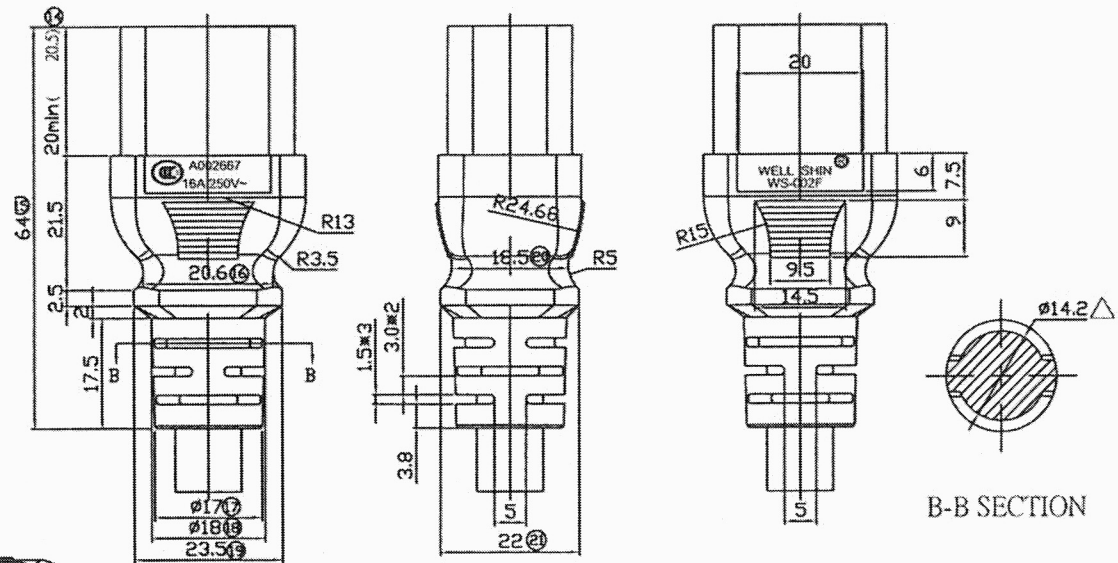
PART NO. EK519-2,5

TITLE: IEC CORD WITH IEC320-C20 &
IEC320-C19 H05VV-F3G 1.5MMSQ
CABLE BLACK

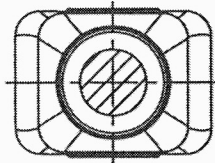
(MARKING):



0-5	±0.2
5-15	±0.3
15-30	±0.5
30-100	±0.8
100-300	±1.0
300-1000	±1.2



CABLE OD SIZE:
 ϕ 7.8 ϕ 8.5 ϕ 9.2 ϕ 10.3



DIMENSIONS ARE IN MILLIMETERS				RoHS COMPLIANT	
TOLERANCE UNLESS OTHERWISE SPECIFIED		PART NO.	WS-002F	TITLE: IEC320-C19 CONNECTOR VDE APPROVED	
LINEAR	0.0±0.25 0.00±0.15	DATE	SEPTEMBER / 19 / 2008		
ANGLES	± 3	NOT SCALED DRAWING		DRAWING NO.	WS-002F