

ULS2500

UniversalLED System
for 2 cabinets 500mm



The ULS2500 is a modular and durable support system for a wide range of LED cabinets. Lightweight, easy to assemble, and compatible with different sizes and configurations, it ensures stable mounting and precise alignment for rental and fixed setups in retail, events, broadcast studios, corporate spaces, transportation hubs, and other public environments.

FEATURES:

- Flexible layouts- adapt to flat, curved, stacked, or custom shapes
- Rapid setup – reduce installation time and on-site labor costs
- Broad compatibility – integrate with different cabinet sizes and brands
- Reliable performance – built for stability in demanding indoor or outdoor scenarios



500mm



65kg/m²



PRODUCT SPECIFICATIONS

Short index	ULS2500
Category	dvLED Video Wall Mounts
Product group	Video Wall & Menu Board Mounts
Colour	Black
Warranty	Limited 5-years
Number of screens	2
dvLED screen size	500mm
Maximum load	65kg/m ²



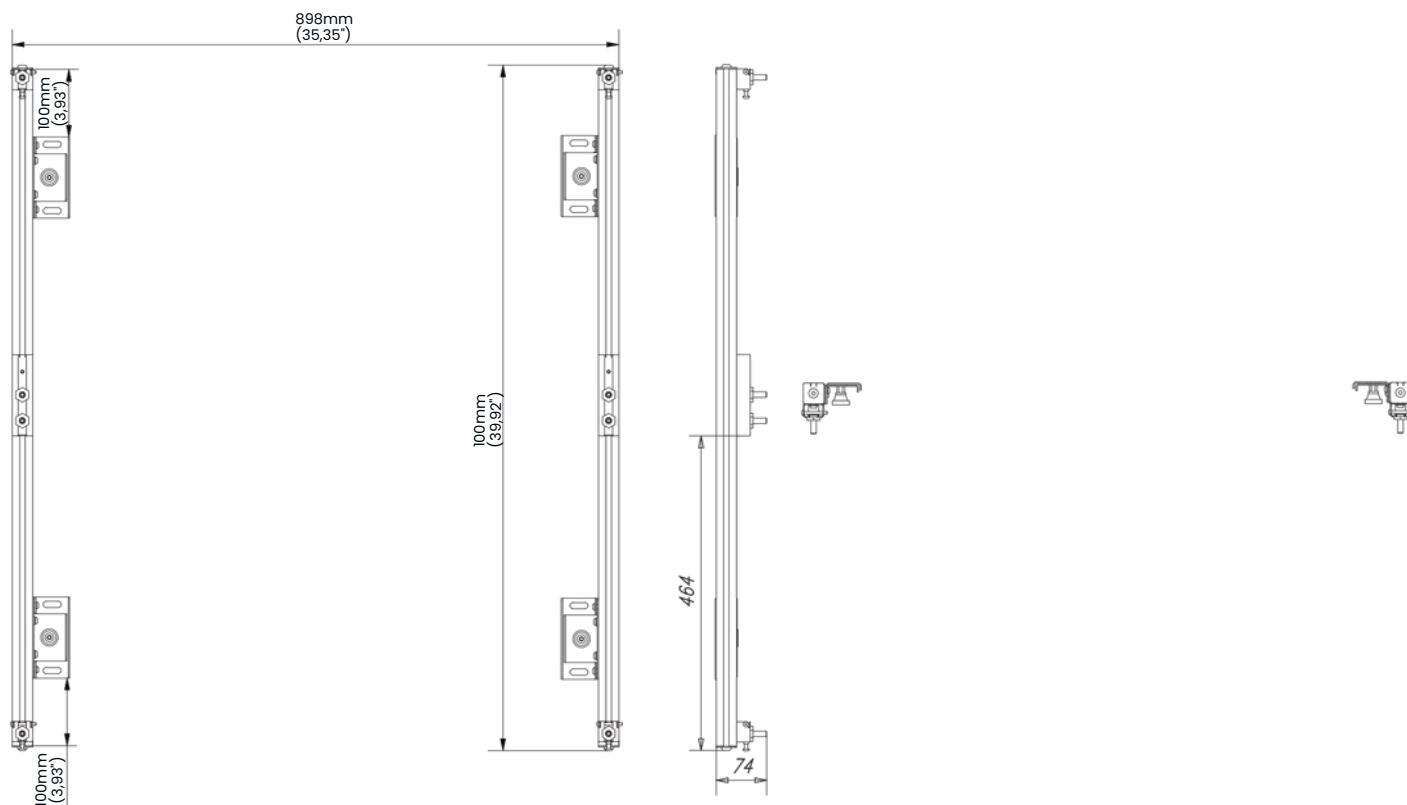
TECHNICAL SPECIFICATIONS

Product dimensions

W: 85 mm D: 73,2 mm H: 1022 mm (W:3,34" D:2,88" H:40,23")

Product weight

4,26 kg (9,39 lb)



FRONT VIEW

SIDE VIEW

TOP VIEW

LOGISTICS DATA

SAP INDEX	EAN CODE	COLOUR	PACKAGE DIMENSIONS	PACKAGE WEIGHT
WUSC-ULS2500	5902841110137	BLACK	180 x 85 x 1200 mm 7,08 x 3,34" x 47,24"	5 kg 11,02 lb

HS Code (Harmonized System): 732690, HTS Code (Harmonized Tariff Schedule): 7326909890, Country of Origin: Poland