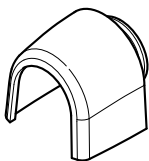


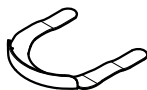
AXIS Conduit Adapter U-Shape 30mm A

Installation Guide

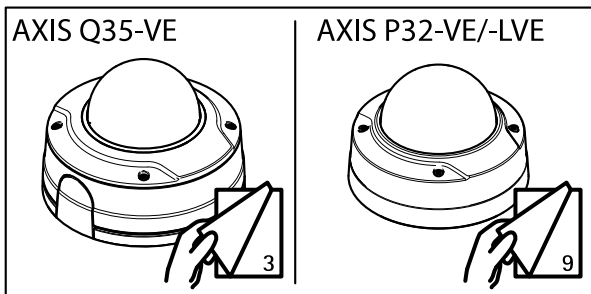
AXIS Conduit Adapter U-Shape 30mm A



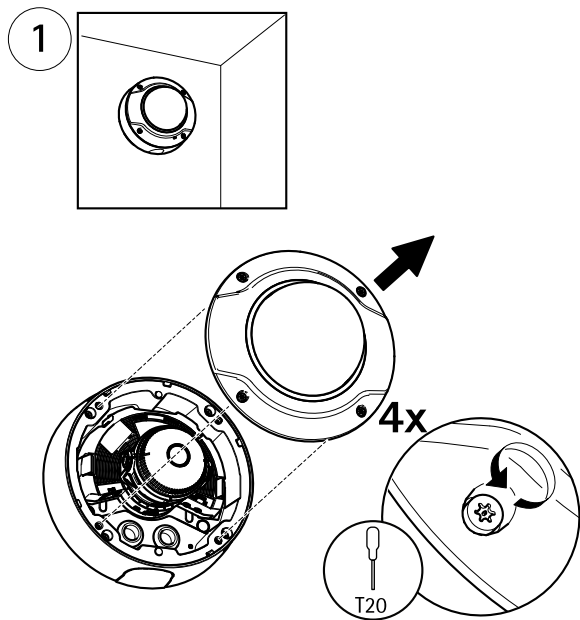
1x

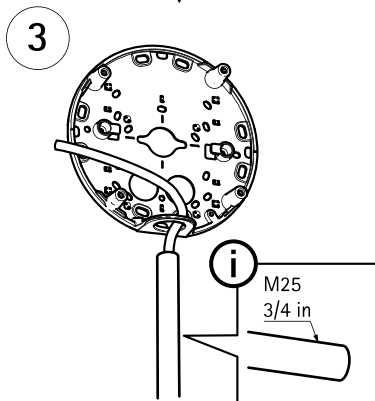
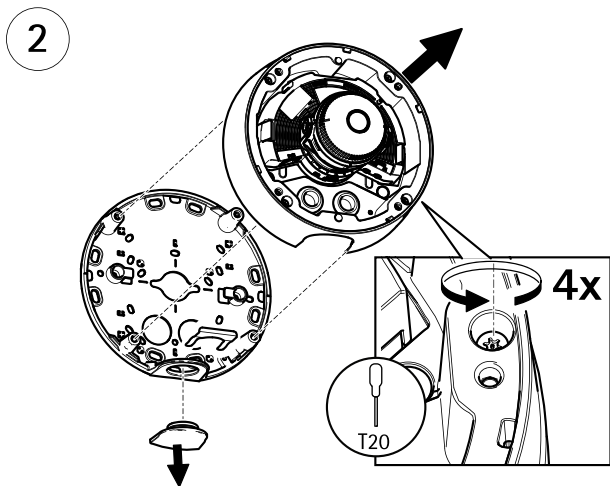


1x

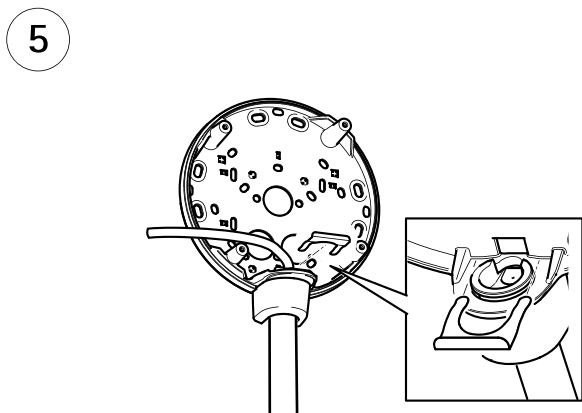
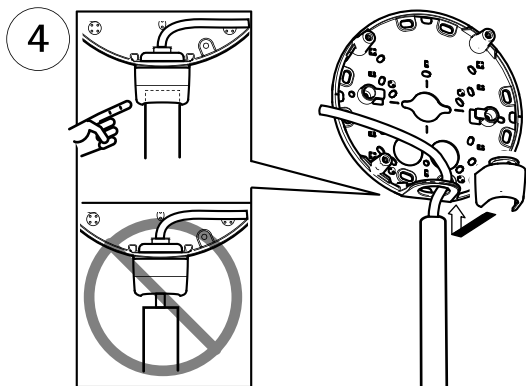


AXIS Conduit Adapter U-Shape 30mm A

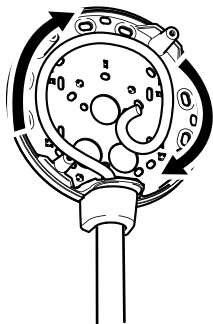




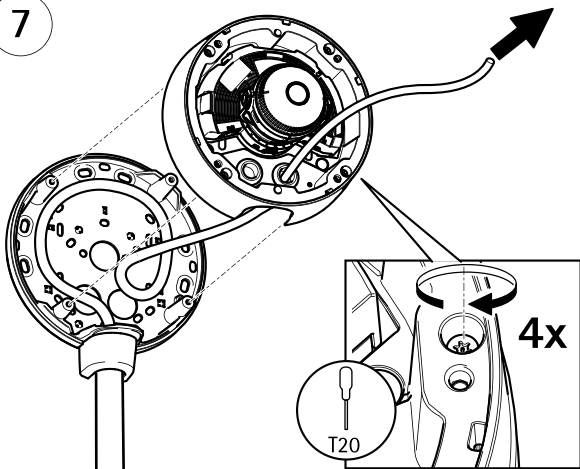
AXIS Conduit Adapter U-Shape 30mm A



6

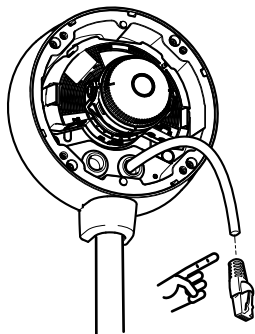


7

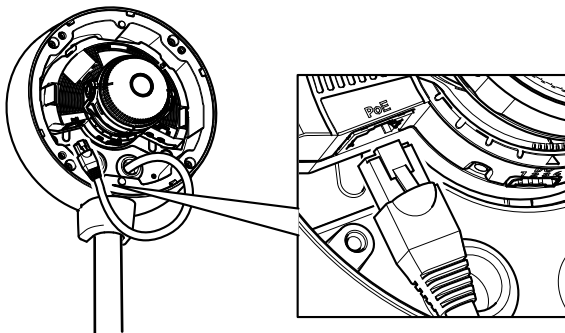


AXIS Conduit Adapter U-Shape 30mm A

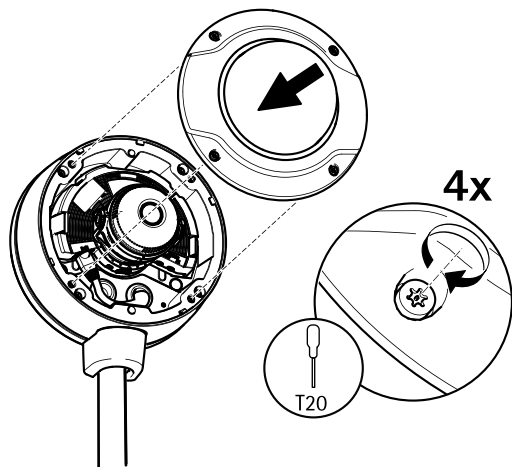
8



9

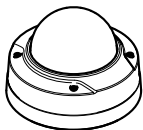


10



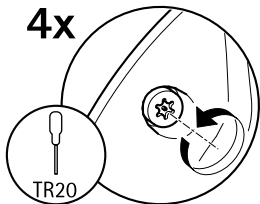
AXIS Conduit Adapter U-Shape 30mm A

AXIS P32-VE/-LVE

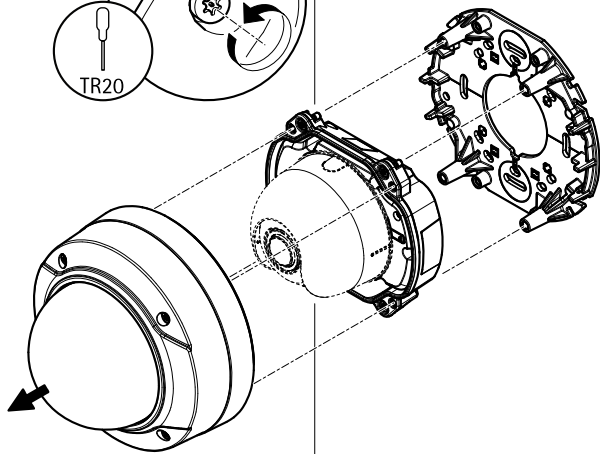


1

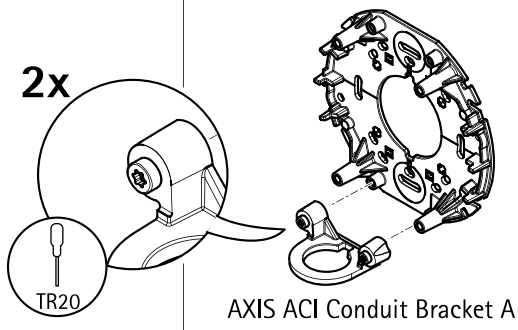
4x



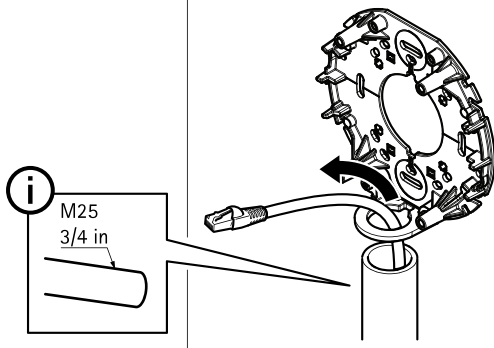
TR20



2

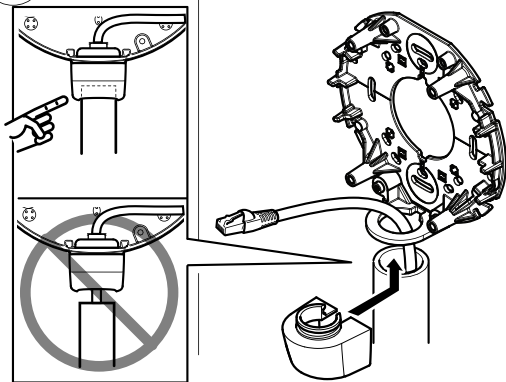


3

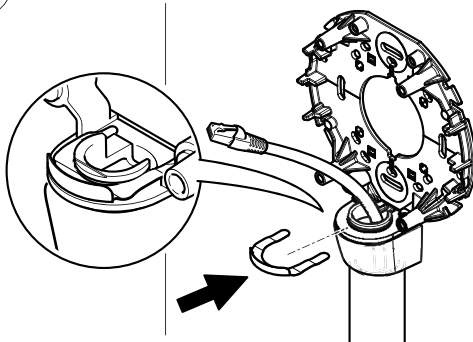


AXIS Conduit Adapter U-Shape 30mm A

4



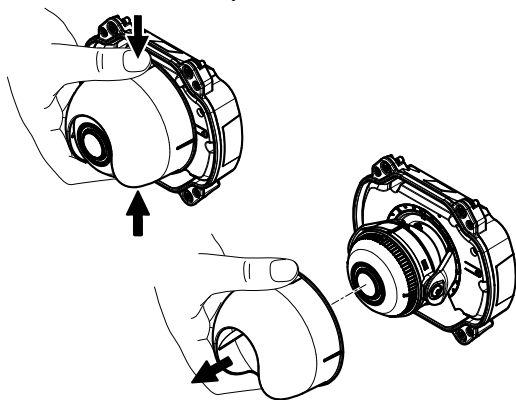
5



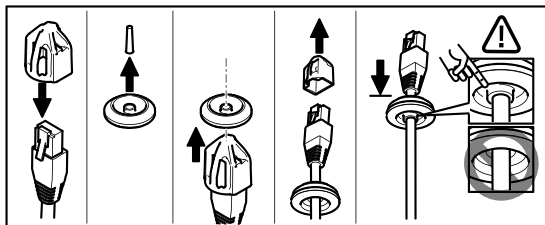
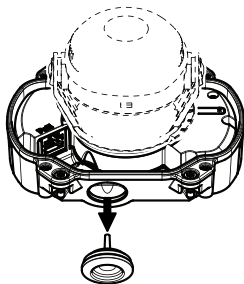
6

AXIS P32-VE

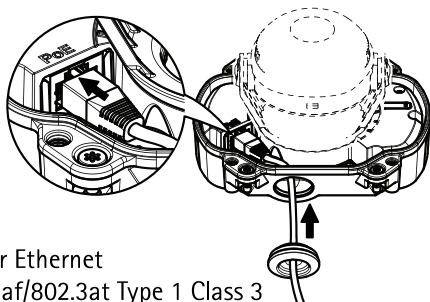
AXIS P32-LVE



7

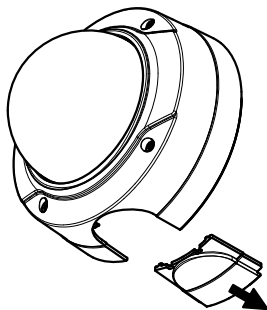


8



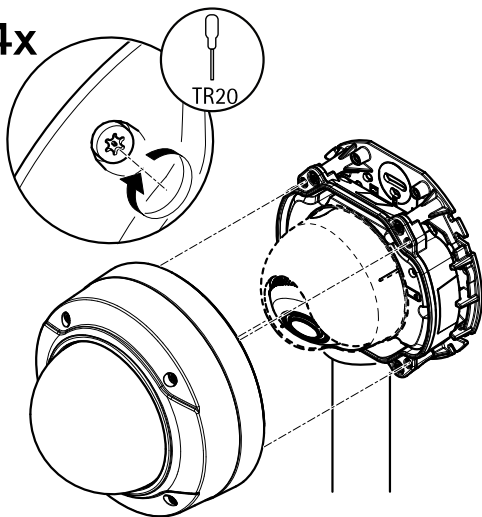
Power over Ethernet
IEEE 802.3af/802.3at Type 1 Class 3

11



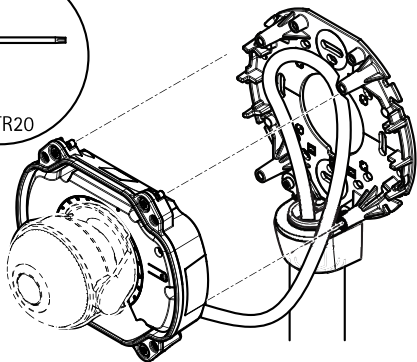
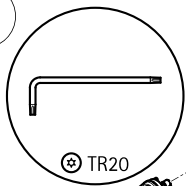
12

4x



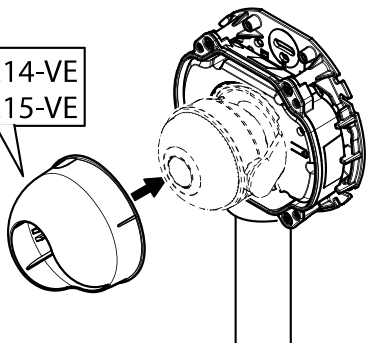
AXIS Conduit Adapter U-Shape 30mm A

9



10

AXIS P3214-VE
AXIS P3215-VE



Installation Guide

AXIS Conduit Adapter U-Shape 30mm A

© Axis Communications AB, 2015

Ver. M1.4

Date: April 2015

Part No. 62695