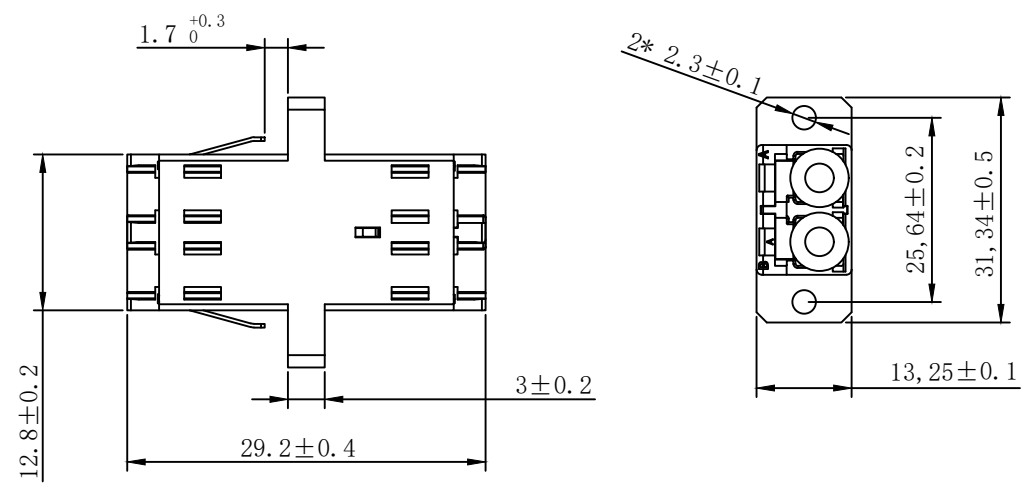
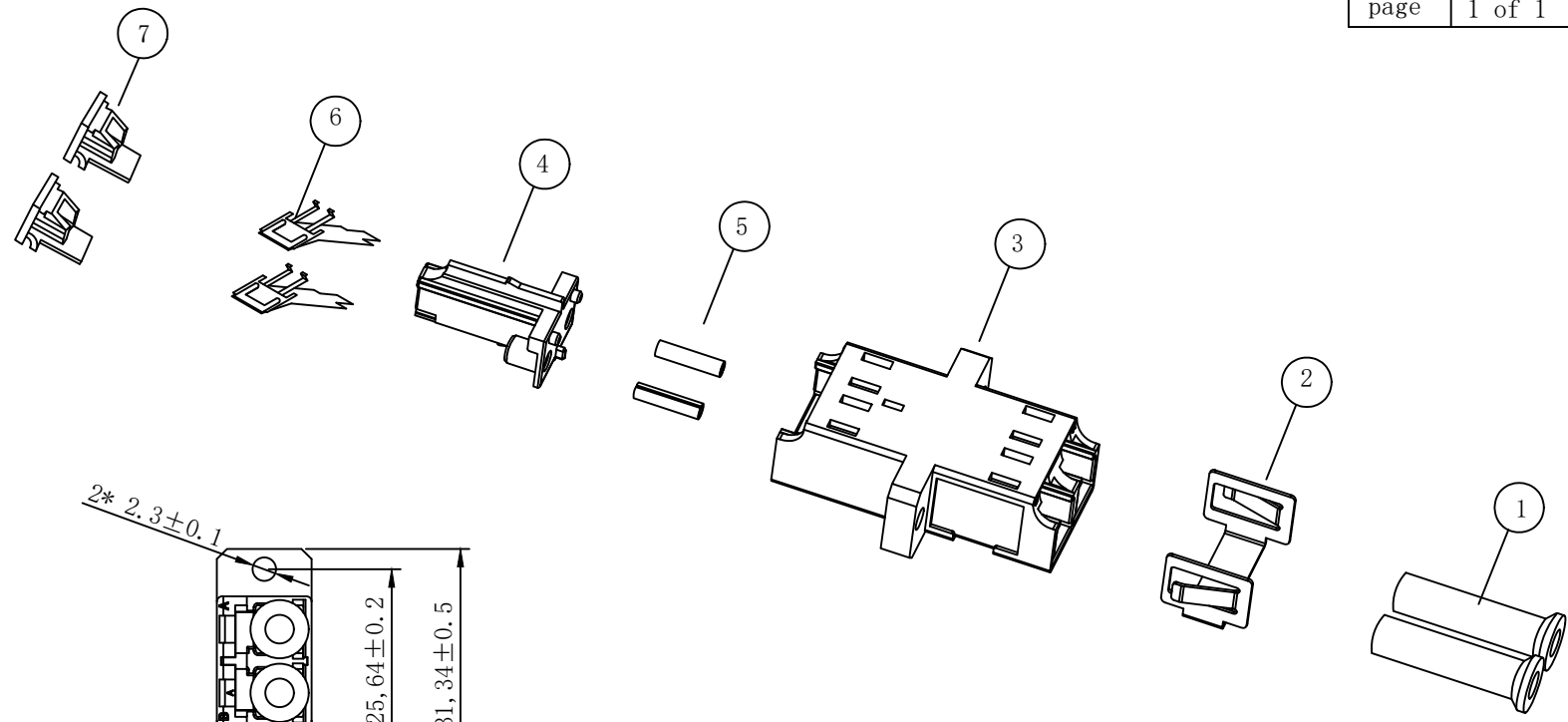


Chart:

ITEM NO.	COLOR
S215426V2	blue
S215592V2	green
S215424V2	Erika violet



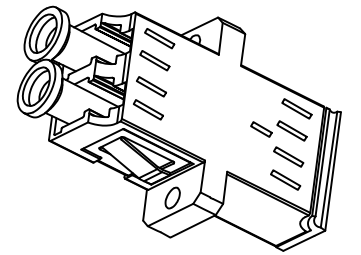
MATERIAL LIST:

⑦	LC White Dust Cap	2pcs	
⑥	Internal laser protection shutter stainless steel	2pcs	
⑤	LC Sleeve ceramic	2pcs	
④	bush COLOR:SEE THE CHART	1pc	
③	LC Body (SC simplex footprint) COLOR:SEE THE CHART	1pc	
②	LC Metal Mount	1pc	
①	LC White Dust Cap	2pcs	
NO.	SPECIFICATION STANDARD	QT' Y	REMARK
BY	CHK	REVISION RECORD MODIFICATIONS	DATE

NOTE:
RoHS 3.0 & Reach COMPLIANT

Insertion Loss (dB)	≤0.20
Operating Temperature (° C)	-40 ~+85
Storage Temperature (° C)	-40 ~+85

Blister+Label+Test Report



SYNERGY21					
CUSTOMER		ITEM NO.	See the chart		
PRODUCT NAME	LC Duplex with flange Plastic Adapter with internal Laser Protection shutter	manufacture country:	CHINA	UNIT	MM
DRAWNBY	CHECKBY	APPOBY	DATE		
SYNERGY21	SYNERGY21	SYNERGY21	2022-10-17		