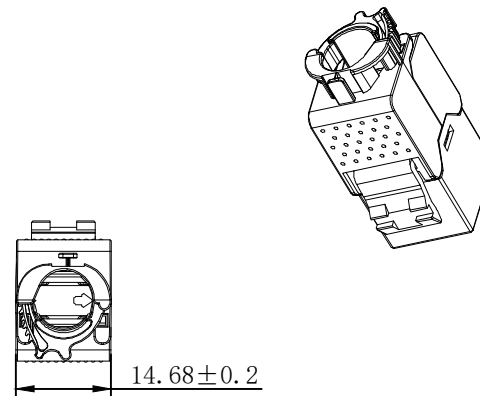
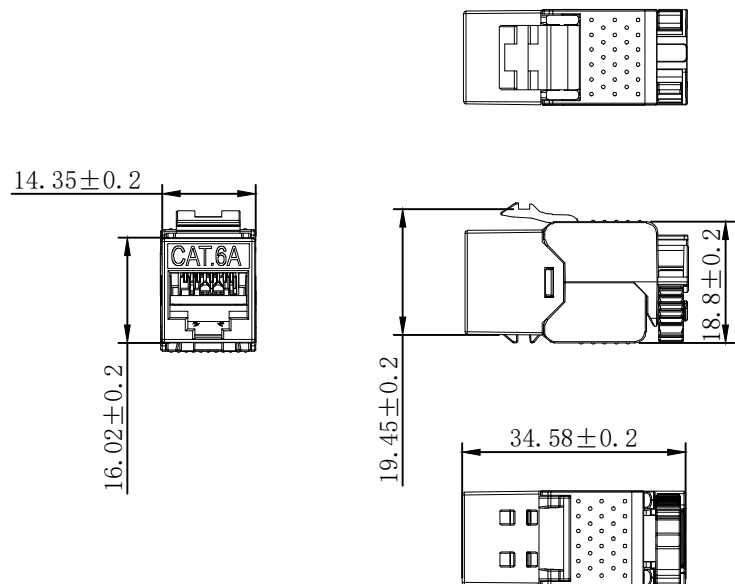


MATERIAL LIST:

- 1. wall box:ABS
- 2. Accessories  
cable tie: 2 PCS 2.5\*80MM  
SCRW: 2PCS ST4\*20MM
- 3. Applicable cable diameter:OD 8.2MM Max
- 4. ROHS 2.0 AND REACH COMPLIANT
- 5. Packing:1PC/PE bag+label

|              |                 |                               |         |          |            |            |            |            |  |
|--------------|-----------------|-------------------------------|---------|----------|------------|------------|------------|------------|--|
| SYNERGY 21   |                 |                               |         |          |            |            |            |            |  |
| CUSTOMER     |                 |                               |         | ITEM NO. | S216348    |            |            |            |  |
| PRODUCT NAME | 2 port wall box | manufacture country           | CHINA   | UNIT     | MM         |            |            |            |  |
| NEW          | 2018-10-17      | A                             | DRAWNBY | CHECKBY  | APPOBY     | DATE       |            |            |  |
| BY           | CHK             | REVISION RECORD MODIFICATIONS | DATE    | REV.     | SYNERGY 21 | SYNERGY 21 | SYNERGY 21 | 2018-10-17 |  |



NOTES:

ELECTRICAL:

- Contact Resistance :  $20M\Omega$  MAX
- Insulation Resistance :  $500M\Omega$  MIN @ 500V DC
- Withstand Voltage : DC 1000V AC 700V RMS 60Hz, 1MIN
- Compliance with Class EA up to 500 MHz to ISO/IEC 11801 Ed.2.2:2011-06  
DIN EN 50173-1:2011-09  
TIA/EIA-568-C.2 (2009-08)  
IEC 60603-7 Ed.1 (12/2008)

ENVIRONMENTAL:

- Storage temperature :  $-40^{\circ}$  TO  $+70^{\circ}$
- Operation temperature :  $-10^{\circ}$  to  $+60^{\circ}$

MECHANICAL

- SHIELD MATERIAL: ZINC ALLOY
  - IDC MATERIAL: PC TERMINAL:PHOSPHOR BRONZE, TIN PLATING
  - RJ45 Contact Life: 750 Times Min
  - Plug inforce:  $<30N$
  - Solid cable:  $1/22AWG(0.65MM)-1/26AWG(0.40MM)$  ID:  $1.05MM-1.5MM$
  - Cable OD: 5.0mm-8.0mm
  - PoE per IEEE 802.3af, PoE+ per IEEE 802.3at
  - $360^{\circ}$  Shield connection
- Packing: 1pc/PE bag+lable  
(copper foil included)  
RoHS 3.0 and REACH Compliant

MATERIAL LIST:

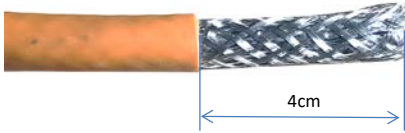
|     |                   |                                    |            |        |
|-----|-------------------|------------------------------------|------------|--------|
| ⑦   | IDC TERMINAL      | FOR 22-26AWG (0.45mm-0.65mm) CABLE | 1          |        |
| ⑥   | LABEL COLOR CODE  | T568A/B                            | 2          |        |
| ⑤   | IDC PIN           | PHOSPHOR BRONZE & TINNED           | 8          |        |
| ④   | IDC BODY          | FIREPROOF/PC UL 94V0               | 1          |        |
| ③   | PCB               | 1.2mm UL 94V0                      | 1          |        |
| ②   | RJ 45 JACK INSERT | PHOSPHOR BRONZE 8P8C GOLD PLATED   | 8          |        |
| ①   | MODULAR COVER     | ZINC ALLOY                         | 1          |        |
| NO. | PARTS NAME        | SPECIFICATION DESCRIPTION          | QT'Y       | REMARK |
|     |                   | NEW                                | 2022-12-06 | A      |
| BY  | CHK               | REVISION RECORD MODIFICATIONS      | DATE       | REV.   |

SYNERGY21

|              |  |                      |            |      |    |
|--------------|--|----------------------|------------|------|----|
| CUSTOMER     |  | ITEM NO.             | S216382    |      |    |
| PRODUCT NAME | Super slim Cat.6A/Class EA Keystone Jack | manufacture country: | CHINA      | UNIT | MM |
| DRAWNBY      | CHECKBY                                  | APPOBY               | DATE       |      |    |
| SYNERGY21    | SYNERGY21                                | SYNERGY21            | 2022-12-06 |      |    |

# Installationsanleitung/Installation guide

## Keystone Jack



①.Stripping 4cm of sheath.



②.foldback braided and drained wire.



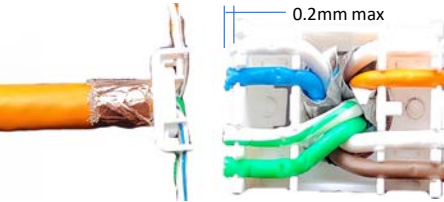
③.paste copper foil on the braided and ground wire and cut off the excess weave and the ground wire



④.4.Fan out all four twisted pairs, allocate each by following colorcoding label



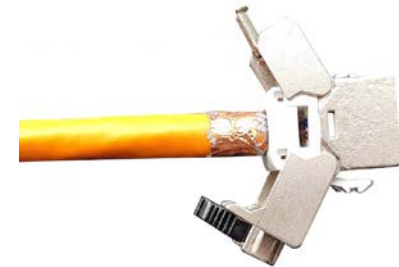
⑤.Across the holde by the color marks of T568A or T568B



⑥. allocate each conductor into proper slots on wiring cap by following color coding



⑦.Trim the theends of conductors.



⑧.install the termination cap in direction of arrow into the keystone jack



⑨.press both covers of the keystone jack to contact the cable



⑩.Fasten smart cable ties for 360 degree shielding