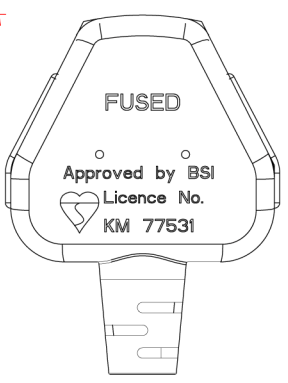


P1: M-015
P2: M-028

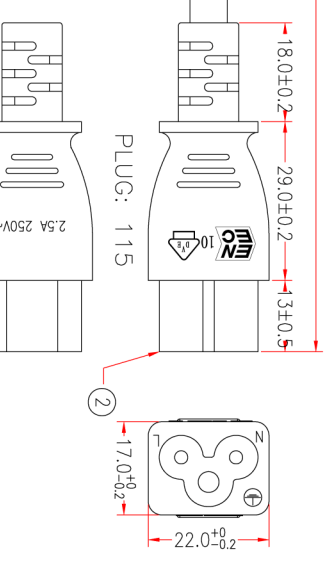
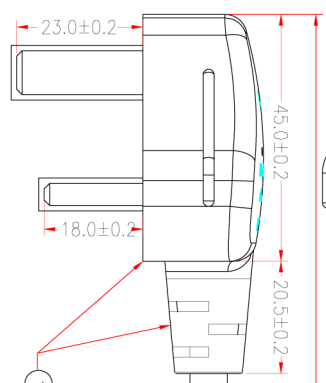
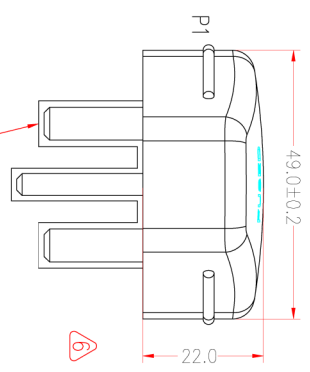
Customer No.: No.6

LOGO	FUSE
	3A

FUSE:

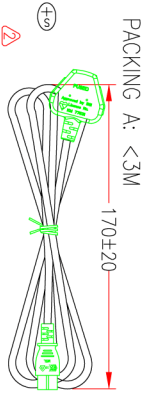
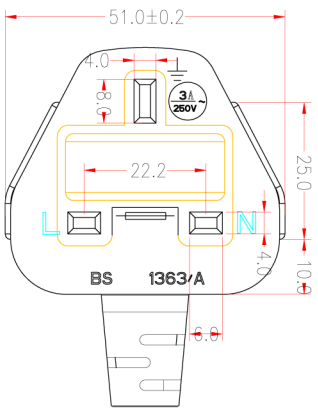
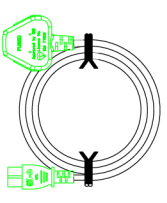


P2:



ITEM NO.	LENGTH(L)
EK499.1,8	1800mm
EK499.3	3000mm
EK499.5	5000mm

NOTE: All relevant materials are complied with RoHS directive .



CONCAVE LETTERING WORD CABLE:

H05W-F 3G 0.75mm² KEMA-KEUR IEMMEQU VDE

P1	P2
BROWN	L
BLUE	N
GREEN/YELLOW	E

page: 1 of 2

REV.6 2017.11.22	MODIFY P1 PLUG		
REV.5 2017.08.09	MODIFY CABLE DRAWING NO.EPH5V0107503C-102 FROM EPH5V0107503C-027		
REV.4 2017.07.25	MODIFY CONCAVE LETTERING MARKING CABLE		
REV.2 2013.06.25	MODIFY LABEL CONTENT	REV.3 2017.01.04	MODIFY CABLE LETTERING CONTENT
REV.1 2013.03.11	MODIFY CABLE MARKING CONTENT		CHECKED

PART NO.115402EJFS2D(FP150-03)		Revision:	
APPROVED			
CHECKED	HU		
DRAWING	JIANGJU		
DATE	22/NOV/17	ITEM NO.	EK499.1,8&EK499.3&EK499.5
		UNIT:mm	
Cable Length Unless Other Spec.		Tolerances:	
0 ~200mm		±10mm	
201~1000mm		±20mm	
1001 ~1500mm		±25mm	
1501~2100mm		±30mm	
2100mm		±40mm	
No.	DESCRIPTION	Q'ty	Supplier
1	FUSE: 3A PRESSURE CAP, MSL-403	1	M455
1	PLUG BRACKET AND TERMINAL A PIECE TYPE:168T03, MSL-403	1	M402
2	TERMINAL: 98714PS-0	2	M257
2	TERMINAL: 98732PS-0	1	M257
1	BRACKET: YS-008	1	M767
1	TERMINAL: 98714PS-0	1	M257
2	TERMINAL: 98714PS-0	2	M257
3	MOLDED PVC 45P, COLOR BLACK	1	M304
3	MOLDED PVC 45P, COLOR BLACK	1	M767
3	MOLDED PVC 45P, COLOR BLACK	1	M455
3	MOLDED PVC 45P, COLOR BLACK	1	M402