

ALLNET Industrial Panel PC

Features:

- Intel® Tigerlake Core™ i5-1135G7
- Industrial display, five wire resistive touch screen
- 16GB DDR4/512GB SSD
- 2*USB3.0/2*USB2.0
- 1*HD/4*Gigabit LAN
- 9~36V wide pressure input (Phoenix terminals)
- Fanless
- Antischock

Specifications:



System Hardware

CPU	Intel® TigerLake Core™ i5-1135G7 (i3/i7 optional)	Memory	0-255	16GB DDR4(up to 64GB)
Watchdog	seconds/classification is realized by software	Storage system		512GB M.2 SSD(up to 1TB)

Display

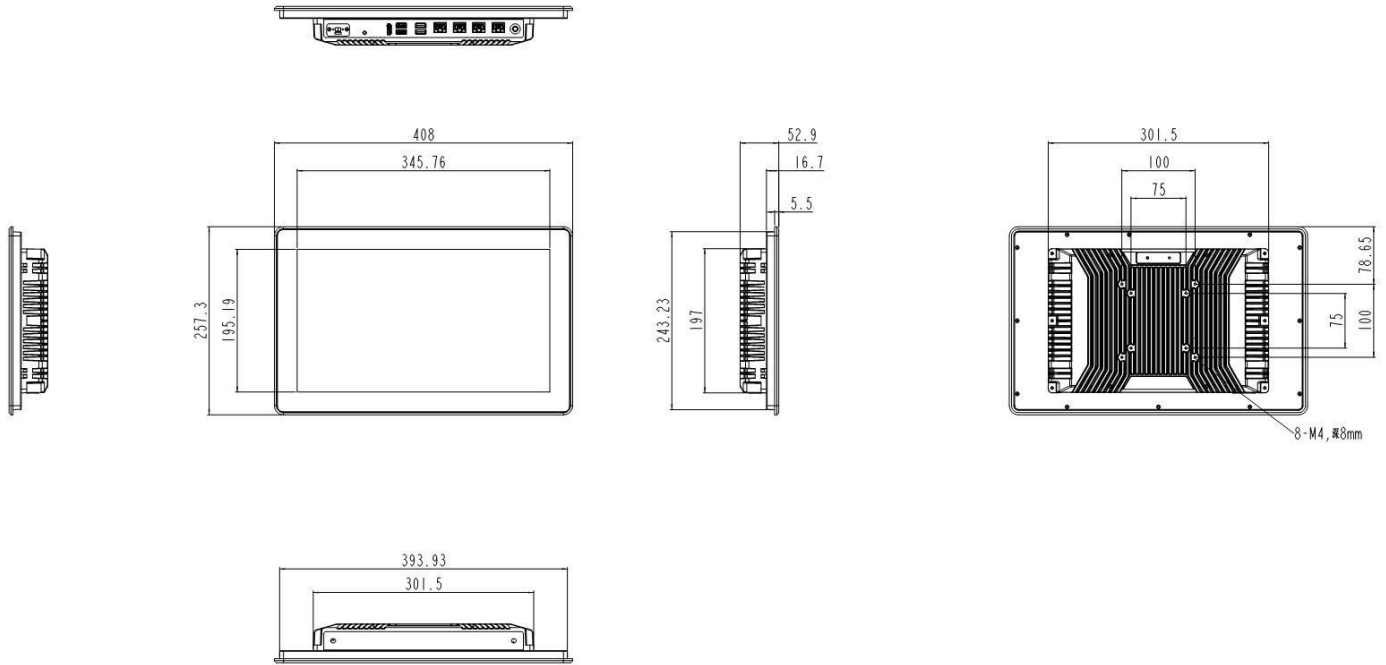
LCD	15.6"	Luminance	450 cd/m ²
Backlight life	50000h	Contrast Ratio	800:1
Resolution	1920*1080	Display angle	170°(H)*170°(V)

Touch Screen

Touchscreen	15.6"five wire resistive touch screen	Hardness	3H
Transmittance	> 75%		

OS

OS	Windows 10, Linux
----	-------------------



ALL-AIO-W11i5-16GB5

I/O Ports

USB		Vedio	1*HDMI
COM	2*USB3.0,2*USB2.0	Expansion	N/A
LAN	N/A	SIM card slot	N/A
Audio	4*Gigabit LAN N/A	GPIO	N/A

Power

Power Supply	9~36V wide pressure input (Phoenix terminals)
--------------	---

Environment

VibrationProtection	5-19Hz/1.0mm amplitude; 19- 200Hz/1.0g acceleration	Operating Temp	-10°C~60°C, without air flow
Shock Protection	10g acceleration, 11ms period	Storage Temp	-20°C~70°C
Reliability	MTBF≥30000h; MTTR≤0.5h	Humidity	95% @40°C, non-condensing
		IP Level	Front panel IP65

Mechanical

Dimension(LxWxH)	408mm*257.3mm*52.9mm	Material	
Weight	4.3kg/4.8kg (N.W./G.W.)	Mounting	All metal fanless design
Color	Black		VESA installation: 100*100mm/75*75mm Embedded installation: 394mm*244mm