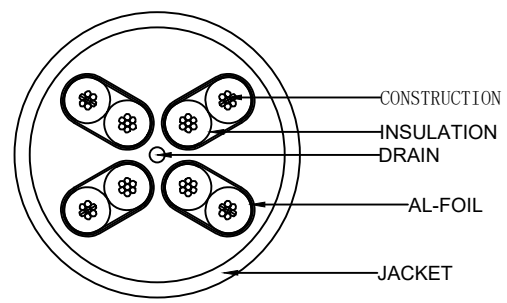
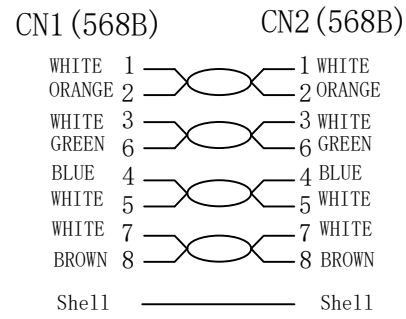


CAT6 U/FTP 4x2x32AWG/7 LSZH ISO11801 & EN50173 & ANSI/TIA568C.2 www.Synergy21.de CE

PIN OUT



NOTE:

1. Fluke Channel Test ISO 11801 channel Class E
2. ROHS 3.0 AND REACH compliant
3. Electrical test: 100% open short & miss wire test;
4. Working temperature: -10°C ~ +60°C  
Storage temperature: -20°C ~ +75°C
5. Minimum of the bending radius is 30mm
6. Support PoE/PoE+/PoE++
7. Flame retardant (IEC60332-1-2)  
Low smoke (IEC 61034)  
Halogen free (IEC 60754-2)

MATERIAL LIST

③	CABLE	CAT. 6 U/FTP CABLE (32AWG BC*1P+AL-FOIL)*4+DRAIN+JACKET:LSZH, OD:3.8±0.2mm	1	
②	Over mold	75A PVC	2	
①	Plug	RJ45 8P8C Shielded Plug, PIN GOLD PLATED 3u", THE SHELL PLATED NICKEL, TRANSPARENT RED	2	
NO.	PARTS NAME	SPECIFICATION STANDARD	QT' Y	REMARK

<b>SYNERGY 21</b>										
Hasia		change "ROSH 2.0" to "ROSH 3.0"	2022-02-25	A2	CUSTOMER		ITEM NO.	See The Chart		
		Add IEC60332-1-2	2021-01-23	A1	PRODUCT NAME	CAT. 6 U/FTP SLIM PATCH CABLE	manufacture country:	CHINA	UNIT	MM
		NEW	2018-02-22	A	DRAWNBY	CHECKBY	APPROVE	DATE		
BY	CHK	REVISION RECORD MODIFICATION	DATE	REV.	SYNERGY 21	SYNERGY 21	SYNERGY 21	2018-02-22		

Chart :

COLOR:BLACK PANTONE BLACK 3C	
ITEM	LENGTH/mm
S217270	150±5
S217271	250±10
S217272	500±15
S217273	1000±20
S217274	1500±30
S217275	2000±30
S217276	3000±50
S217277	5000±100
S217278	7500±200
S217279	10000±200

COLOR:WHITE RAL 9003	
ITEM	LENGTH/mm
S217280	150±5
S217281	250±10
S217282	500±15
S217283	1000±20
S217284	1500±30
S217285	2000±30
S217286	3000±50
S217287	5000±100
S217288	7500±200
S217289	10000±200

### SYNERGY 21

						CUSTOMER		ITEM NO.	See The Chart		
						PRODUCT NAME	CAT.6 U/FTP SLIM PATCH CABLE	manufacture country:	CHINA	UNIT	MM
			NEW	2018-02-22	A	DRAWNBY	CHECKBY	APPROVE	DATE		
BY	CHK	REVISION RECORD MODIFICATION			DATE	REV.	SYNERGY 21	SYNERGY 21	SYNERGY 21	2018-02-22	